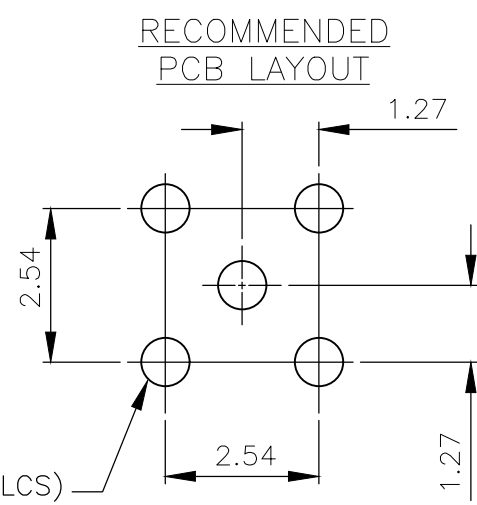
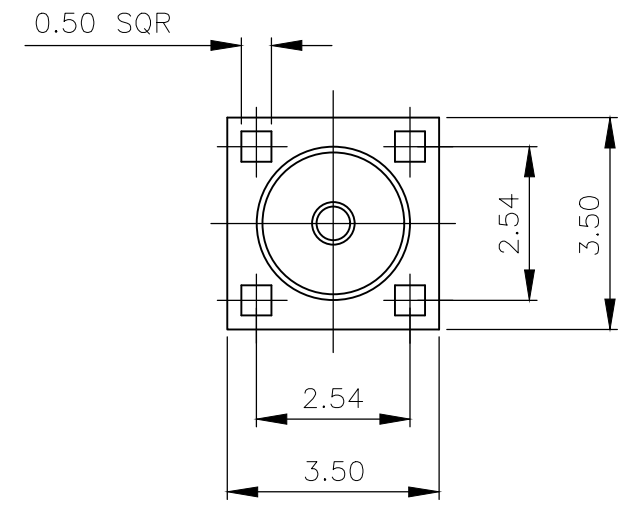
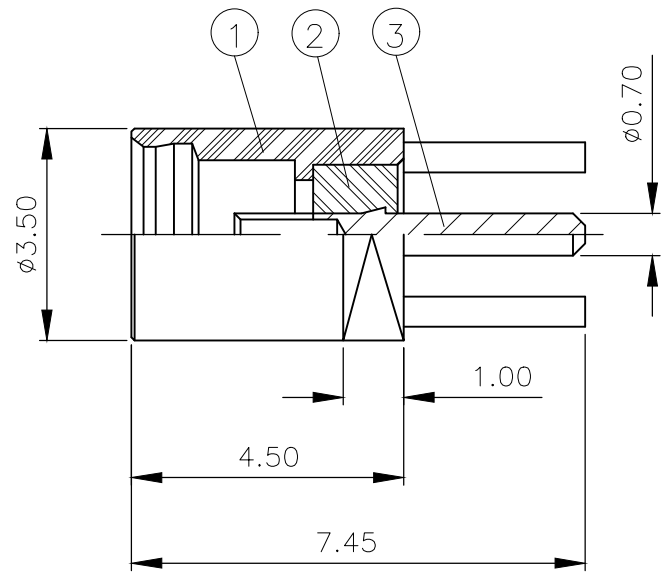


THIS DRAWING IS UNPUBLISHED. RELEASED FOR PUBLICATION NOV , 2003.  
 © COPYRIGHT 2003 By - ALL RIGHTS RESERVED.

P	LTR	DESCRIPTION	DATE	DWN	APVD
D1	ECR-18-007914		20JUN2018	ED	RS



**PACKAGING: TAPE AND REEL**

REELED TAPE

EXTENDED TAPE

REEL(13"/16)  
FEED DIRECTION  
COVER TAPE  
TAPE  
330\*100\*16

TAPE MATERIAL BLACK PS 0.5  
PIECES/REEL 1000  
ALL DIMENSIONS ACCORDING EIA-481-D

- 1 SINGLE PACK: 1PC IN A BAG WITH LABEL; 100 BAGS IN AN INNER BOX WITH LABEL; 20 INNER BOXES IN A CARTON WITH LABEL
- 2 100 PCS IN A TRAY WITH LABEL; 25 TRAYS IN A CARTON WITH LABEL
- 3 Au PLATING
- 4 FLASH Au PLATING

**ELECTRICAL CHARACTERISTICS**  
 FREQUENCY RANGE: DC - 6GHz  
 NOMINAL IMPEDANCE: 50 Ohm  
 INSULATION RESISTANCE: 1000MOhm  
 WORKING VOLTAGE: 335V RMS at Sea Level  
 DIELECTRIC WITHSTAND VOLTAGE: 500V RMS Max  
 CONTACT RESISTANCE:  
 CENTRE CONTACT: 5.00 MOhm Max  
 OUTER CONTACT: 2.50 MOhm Max

**MECHANICAL CHARACTERISTICS**  
 DURABILITY: 500 Cycles Min

**ENVIRONMENTAL CHARACTERISTICS**  
 OPERATING TEMPERATURE: -65°C to +165°C

- 5 FOR TECHNICAL DATA REFER TO YOUR LOCAL TE CONNECTIVITY SALES OFFICE
- 6 ALL DIMENSIONS ARE NOMINAL FOR REFERENCE ONLY UNLESS OTHERWISE STATED

QUANTITY PER ASSY	7	2	1	MATERIAL	DESCRIPTION	ITEM
1	1	1	1	BERYLLIUM COPPER	SOCKET	3
1	1	1	1	PTFE	INSULATOR	2
1	1	1	1	BRASS	BODY	1

THIS DRAWING IS A CONTROLLED DOCUMENT.		DWN J.SANDWELL 12NOV03	TE Connectivity <b>MMCX STRAIGHT PCB MOUNT SOCKET RECEPTACLE</b> 50 OHMS				
DIMENSIONS: mm		CHK S.PARLOW 12NOV03					
TOLERANCES UNLESS OTHERWISE SPECIFIED:		APVD F.WHEELER-KING 12NOV03					
0 PLC ± - 1 PLC ± 0.3 2 PLC ± 0.2 3 PLC ± 0.1 4 PLC ± - ANGLES ± -		PRODUCT SPEC					
MATERIAL SEE TABLE		FINISH SEE TABLE	APPLICATION SPEC	SIZE	CAGE CODE	DRAWING NO	RESTRICTED TO
			WEIGHT 0.000000	A3	00779	C-1634009	
CUSTOMER DRAWING			SCALE NTS	SHEET 1 OF 1	REV D1		

单击下面可查看定价，库存，交付和生命周期等信息

[>>TE Connectivity\(泰科\)](#)