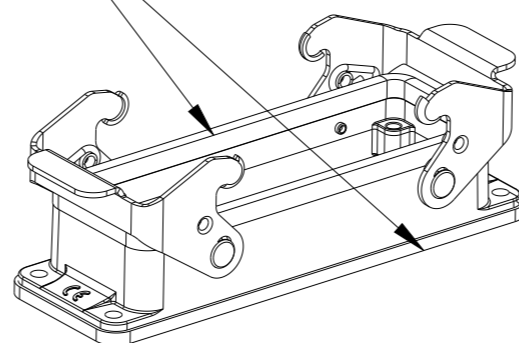
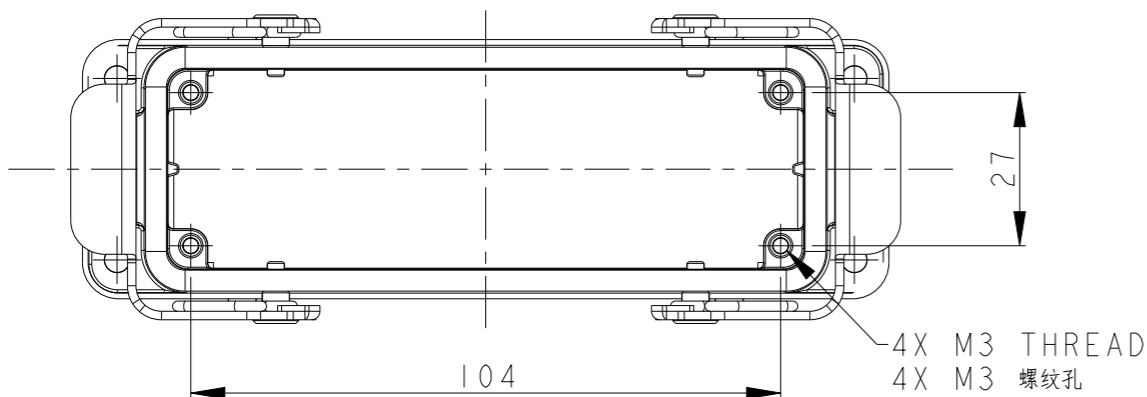


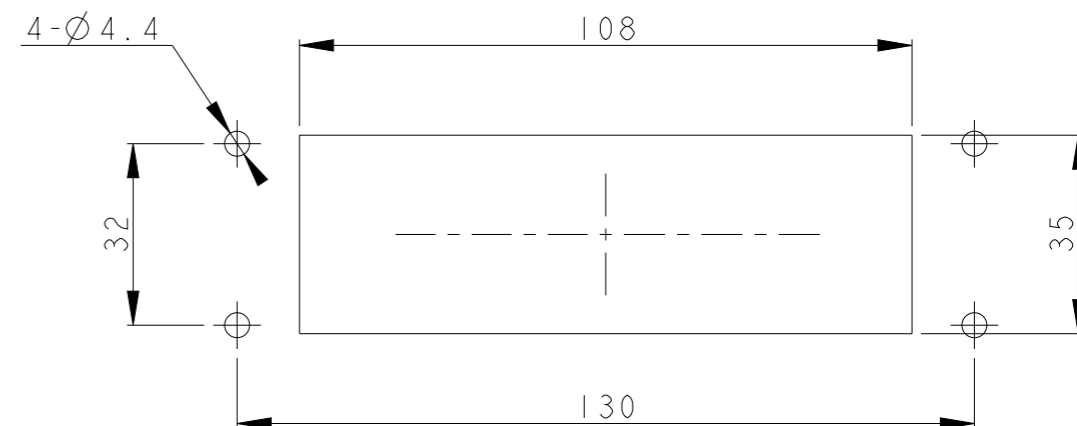
REVISIONS

P	LTR	DESCRIPTION	DATE	DWN	APVD
	A	INITIAL RELEASE	12JUN2015	DL	CW
	B	ECR-20-014876	16JUL2021	WQR	CW

FOR FG "T1410242000-100"
SEAL FIXED BY GLUE



SCALE 1:2



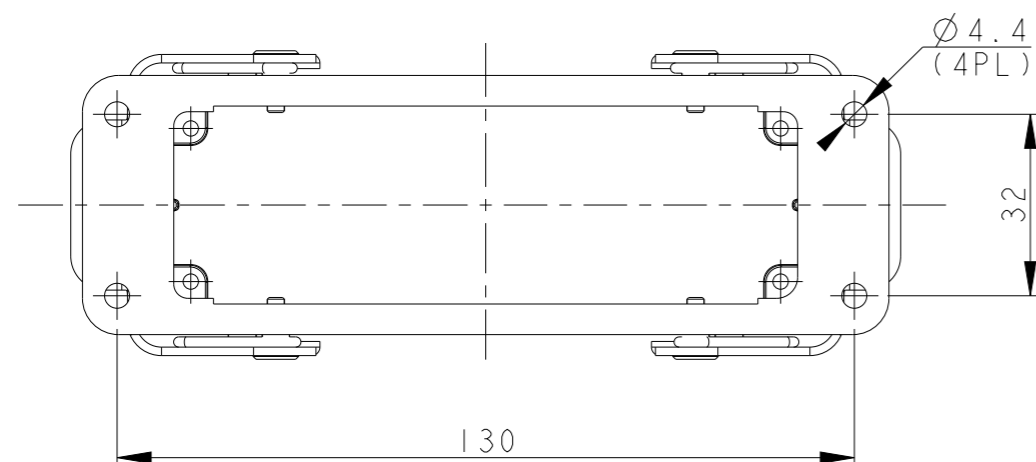
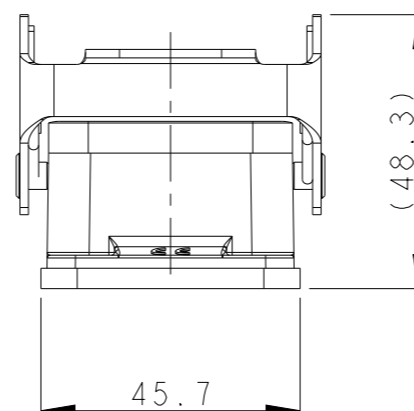
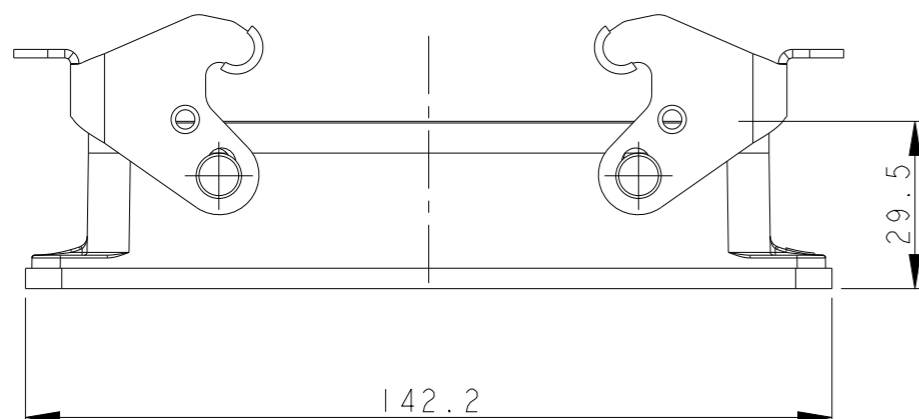
开孔安装示意图
PANNEL CUT OUT

NOTES:


- 1. TECHNICAL CHARACTERISTICS:
BODY MATERIAL: DIE CAST ALUMINIUM ALLOY
SURFACE TREATMENT: POWDER-COATED, GRAY
DEGREE OF PROTECTION: IP65 (MATED)

注释:

- 1. 技术参数:
主体材料: 铝合金
表面处理: 粉末喷涂, 灰色
防护等级: IP65(配合)



T1410242000-000	H24B-AG	-
T1410242000-100		SEAL FIXED BY GLUE
ASSEMBLY PART NUMBER	ASSEMBLY PART DESCRIPTION	REMARK

THIS DRAWING IS A CONTROLLED DOCUMENT.		DWN	DAVID LI	12JUN2015	 TE Connectivity	
DIMENSIONS: mm		CHK	CHRIS WANG	12JUN2015		
TOLERANCES UNLESS OTHERWISE SPECIFIED:		APVD	XU XIANG	12JUN2015		
0 PLC ±- 1 PLC ±- 2 PLC ±- 3 PLC ±- 4 PLC ±- ANGLES ±- MATERIAL - FINISH -		PRODUCT SPEC	NAME			H24B-AG
		APPLICATION SPEC	108-137013		SIZE	A3
		WEIGHT	114-137013		CAGE CODE	-
		CUSTOMER DRAWING			DRAWING NO	©-T1410242000X00
					RESTRICTED TO	-
					SCALE	3:4
					SHEET	1 OF 1
					REV	B

单击下面可查看定价，库存，交付和生命周期等信息

[>>TE Connectivity\(泰科\)](#)