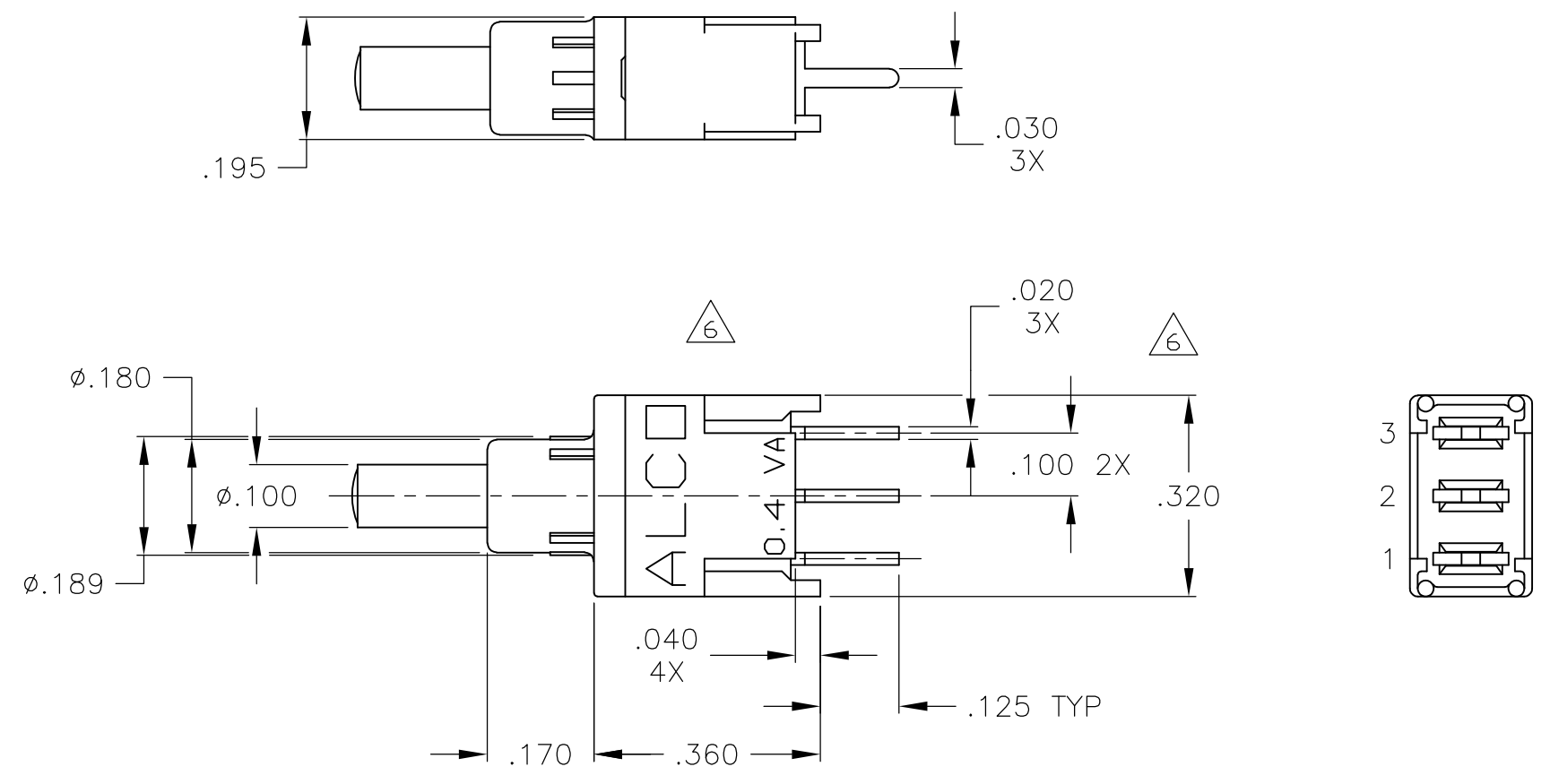


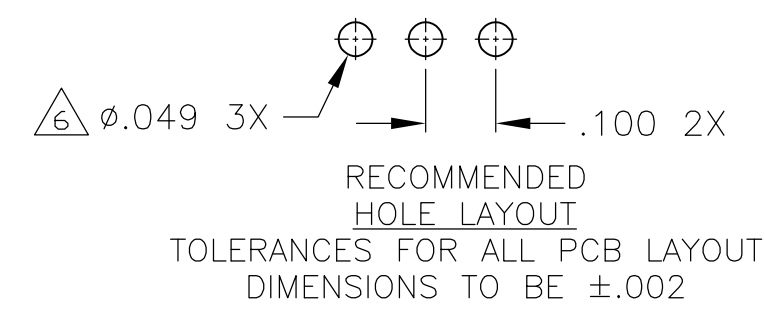
THIS DRAWING IS UNPUBLISHED. RELEASED FOR PUBLICATION
 © COPYRIGHT - By - ALL RIGHTS RESERVED.

LOC		DIST		REVISIONS			
P	LTR	DESCRIPTION		DATE	DWN	APVD	
	H	REVISED PER ECO-15-004048		17MAR2015	NK	RH	

CONVERSION CHART		CONVERSION CHART	
INCH	MM	INCH	MM
.002	0,05	.374	9,49
.005	0,12	.396	10,06
.008	0,20	.400	10,16
.010	0,25	.524	13,31
.014	0,36		
.018	0,44		
.020	0,52		
.028	0,71		
.030	0,76		
.035	0,89		
.040	1,02		
.043	1,09		
.045	1,14		
.060	1,52		
.065	1,65		
.076	1,94		
.082	2,08		
.090	2,29		
.094	2,39		
.100	2,54		
.110	2,80		
.120	3,05		
.125	3,18		
.126	3,19		
.130	3,30		
.155	3,94		
.156	3,96		
.160	4,06		
.162	4,11		
.170	4,32		
.180	4,57		
.189	4,80		
.195	4,95		
.200	5,08		
.230	5,84		
.240	6,10		
.300	7,62		
.320	8,13		
.360	9,14		
.362	9,19		
.370	9,40		



PC MOUNT



SPECIFICATIONS:

MATERIALS:

CASE: HIGH TEMPERATURE POLYESTER.
 ACTUATOR: POLYAMIDE.
 MOVING CONTACT: COPPER ALLOY, GOLD PLATE OVER NICKEL.
 FIXED CONTACT: COPPER ALLOY, GOLD PLATE OVER NICKEL.
 TERMINALS: COPPER ALLOY, TIN-LEAD PLATE.

ELECTRICAL:

CONTACT RATING: 0.4VA @ 20 VAC/DC
 INITIAL CONTACT RESISTANCE: 20 MILLIOHMS MAX.
 INSULATION RESISTANCE: 1000 MEGOHMS @ 500V DC MIN.
 DIELECTRIC STRENGTH: C 1000 VOLTS RMS AT SEA LEVEL.
 F 500 VOLTS RMS AT SEA LEVEL.
 LIFE EXPECTANCY: C 80,000 CYCLES
 F 60,000 CYCLES.

MECHANICAL:

ACTUATION TRAVEL: .035.

ENVIRONMENTAL:

OPERATING TEMPERATURE: -22°F TO +185°F
 (-30°C TO +85°C).
 STORAGE TEMPERATURE: -67°F TO +185°F
 (-55°C TO +85°C)

NOTES:

1. INTERPRET DRAWING PER ASME Y14.5M-1994.

PART NUMBERING SEQUENCE

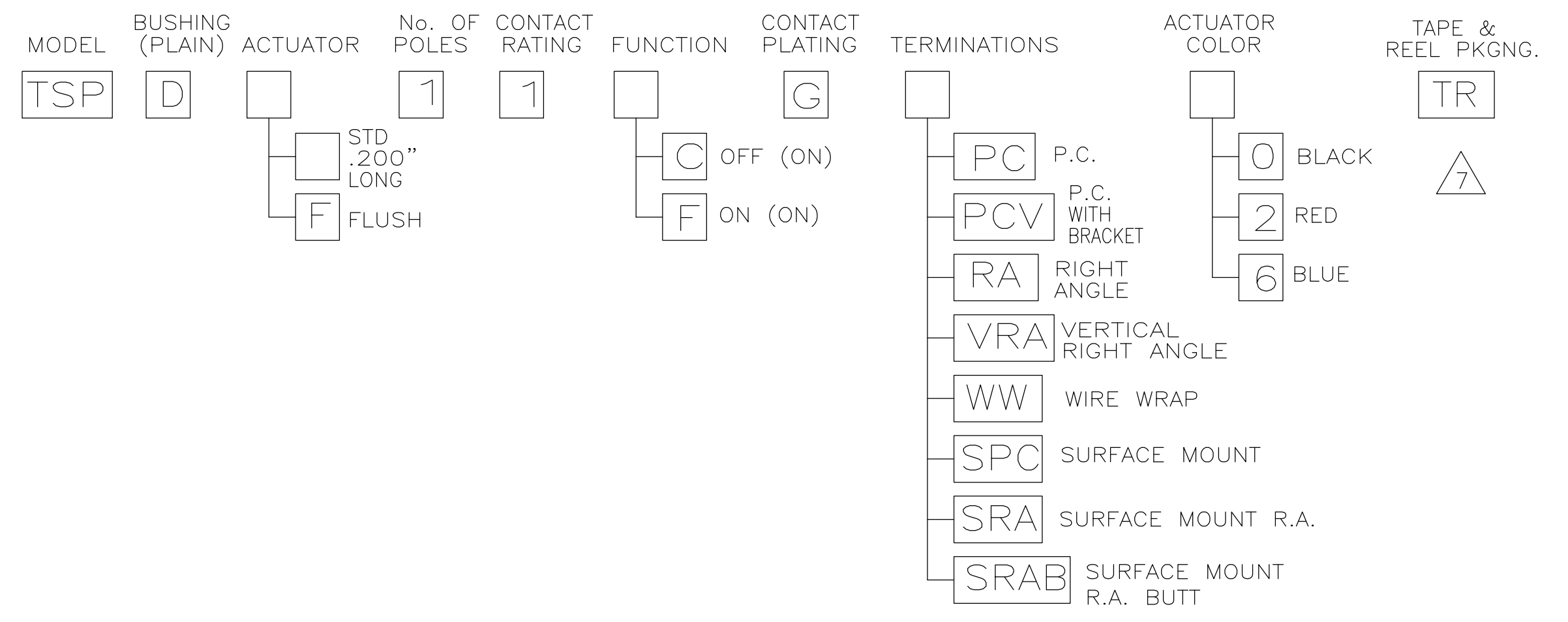


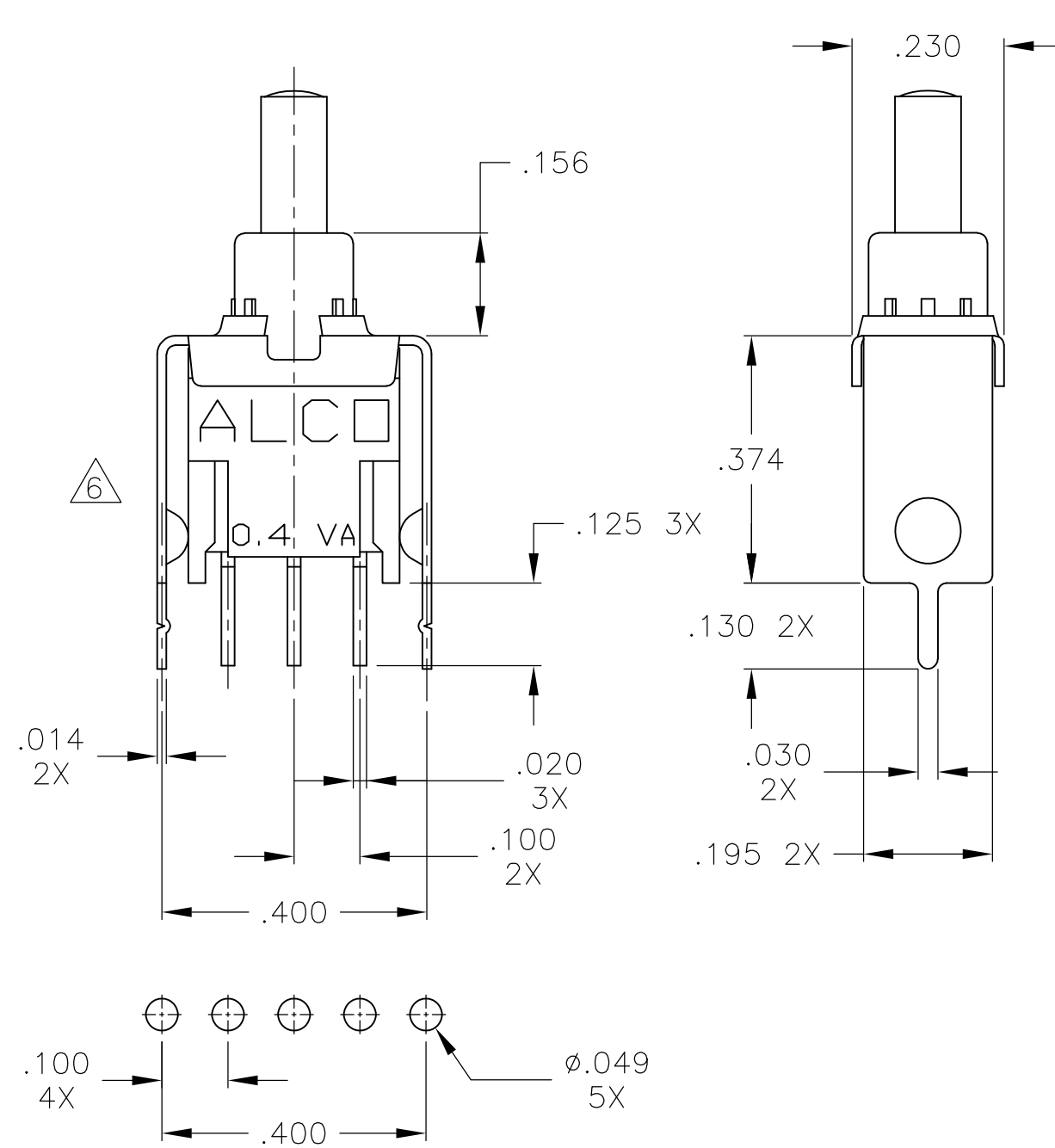
FIGURE 1

FUNCTION CHART	
THE FOLLOWING FUNCTIONS AVAILABLE IN SINGLE POLE.	
C 2 POSITIONS OFF (ON)	TERMINALS CONNECTED: 1-3
OMIT CENTER TERMINAL FOR FUNCTION C	
F 2 POSITIONS ON (ON)	TERMINALS CONNECTED: 1-2 2-3
OFF INDICATES A MECHANICAL POSITION WITH NO ELECTRICAL CONNECTION.	
(ON) INDICATES MOMENTARY ACTION	

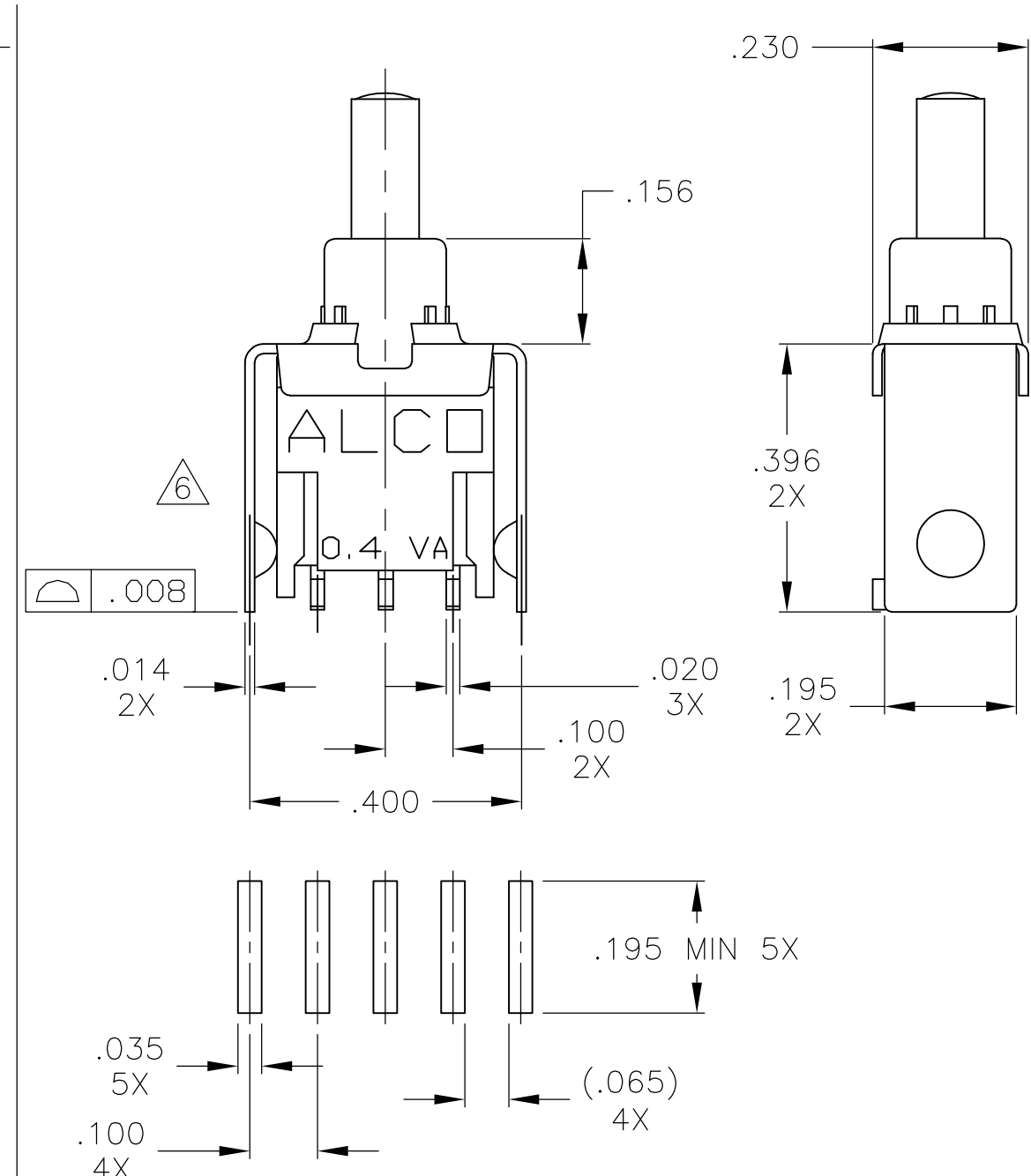
FILE NAME: 40287S1L	DIRECTORY: PSHSWTCH	CODE IDENT. NO. 91506	PRODUCT CODE: B53	THIS DRAWING IS A CONTROLLED DOCUMENT.		DWN C.M.M. 9-19-90	CHK B.J.A. 12-20-90	APVD B.J.A. 12-20-90	PRODUCT SPEC	APPLICATION SPEC	TE Connectivity	
MATERIAL SEE SPECIFICATIONS				DIMENSIONS: INCHES		TOLERANCES UNLESS OTHERWISE SPECIFIED:		FINISH		NAME: OUTLINE DRAWING SEALED PUSHBUTTON SWITCH SINGLE POLE TSP SERIES		
				0 PLC ± -		1 PLC ± -		2 PLC ± -		3 PLC ± .010		SIZE: A2
				4 PLC ± -		ANGLES ± 1°		WEIGHT: -		CAGE CODE: 00779	DRAWING NO: 1-1437573-1	RESTRICTED TO: -
				SEE NOTES		CUSTOMER DRAWING		SCALE: 4:1		SHEET: 1 of 4		REV: H

THIS DRAWING IS UNPUBLISHED. RELEASED FOR PUBLICATION
 © COPYRIGHT - By - ALL RIGHTS RESERVED.

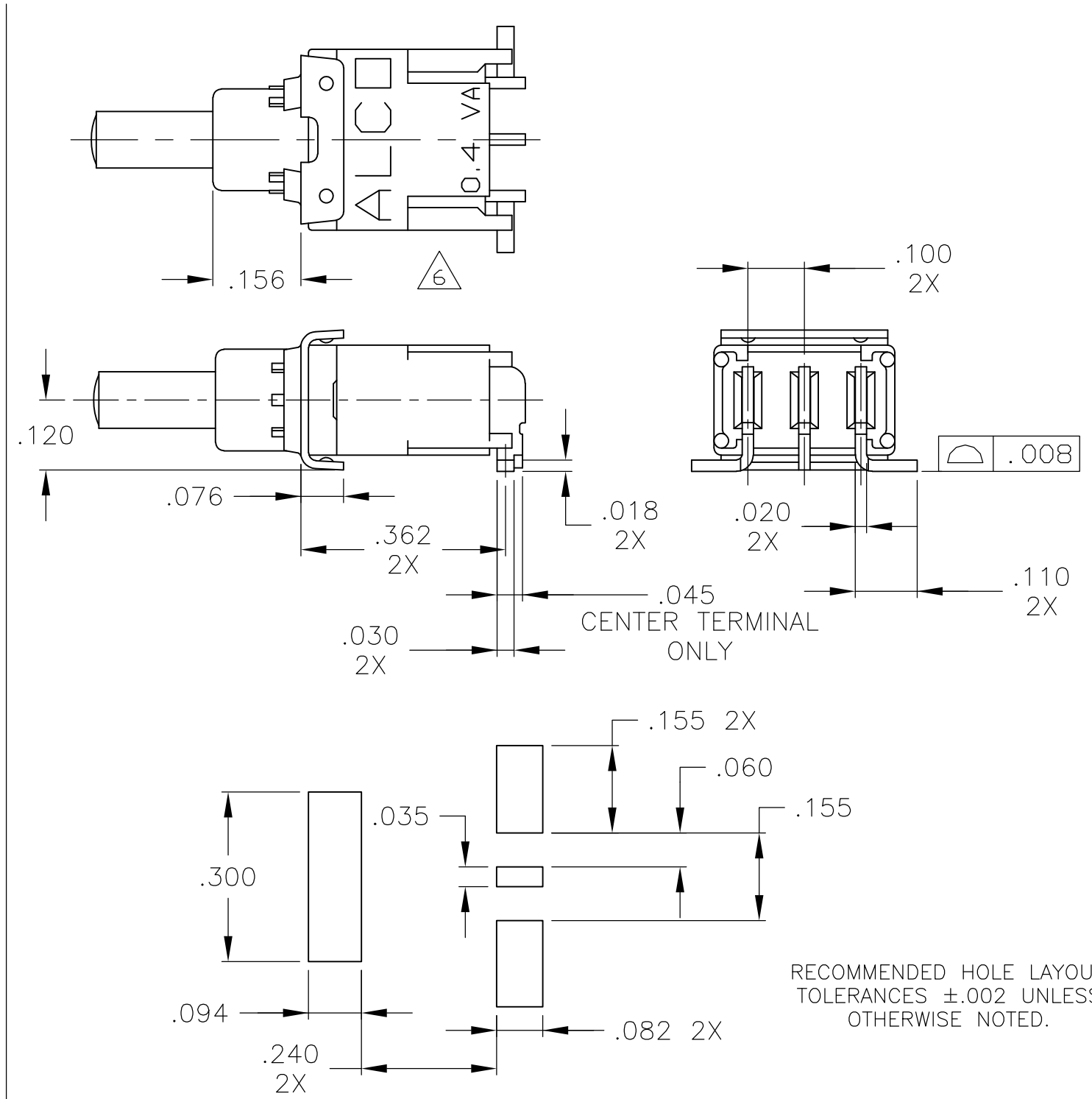
LOC		DIST		REVISIONS			
P	LTR	DESCRIPTION	DATE	DWN	APVD		
-	-	SEE SHEET 1	-	-	-		



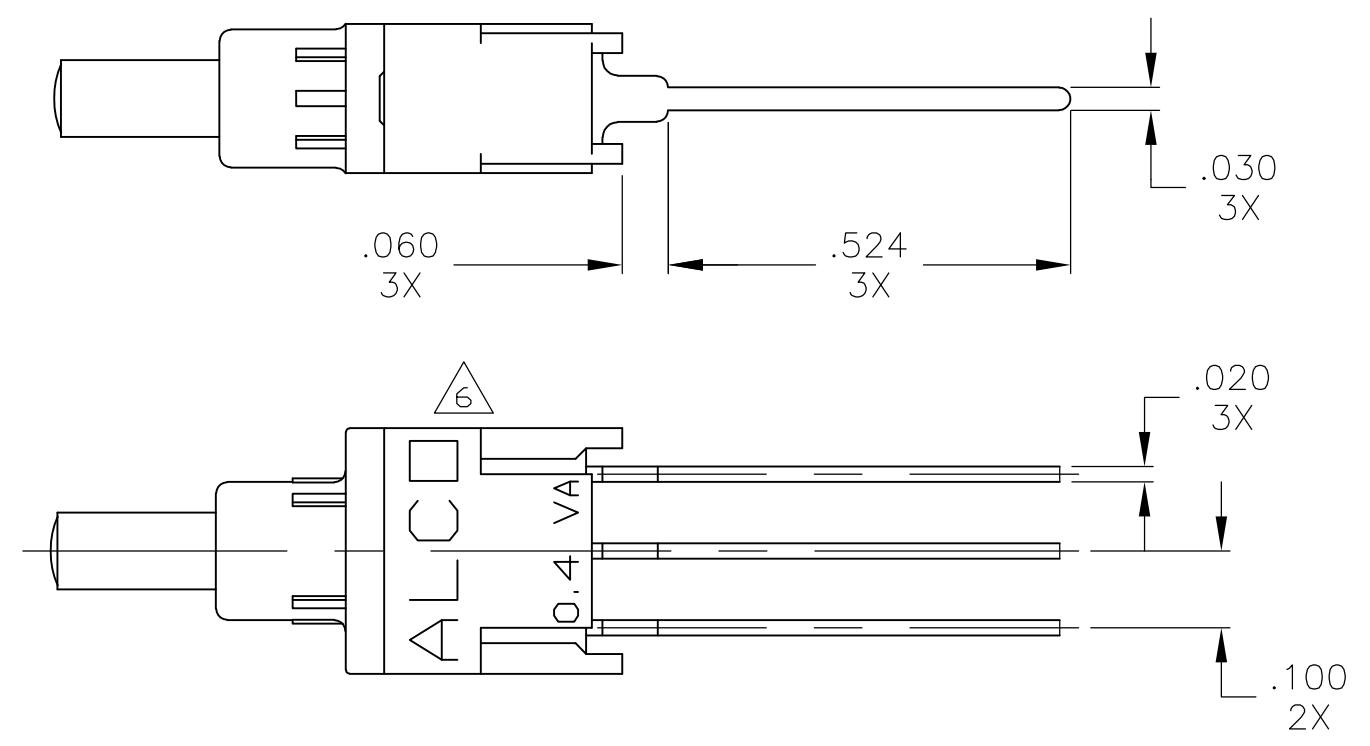
RECOMMENDED HOLE LAYOUT TOLERANCES $\pm.002$ UNLESS OTHERWISE NOTED.
PCV PC WITH VERTICAL SUPPORT BRACKET



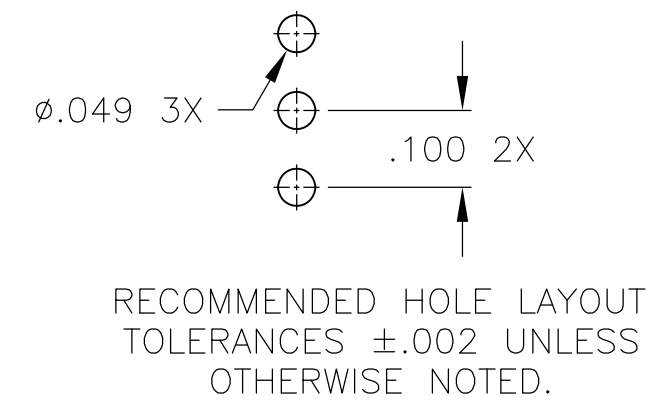
RECOMMENDED HOLE LAYOUT TOLERANCES $\pm.002$ UNLESS OTHERWISE NOTED.
SPC SURFACE MOUNT



RECOMMENDED HOLE LAYOUT TOLERANCES $\pm.002$ UNLESS OTHERWISE NOTED.
SRA SURFACE MOUNT RIGHT ANGLE, "L" BENDA



WW WIRE WRAP



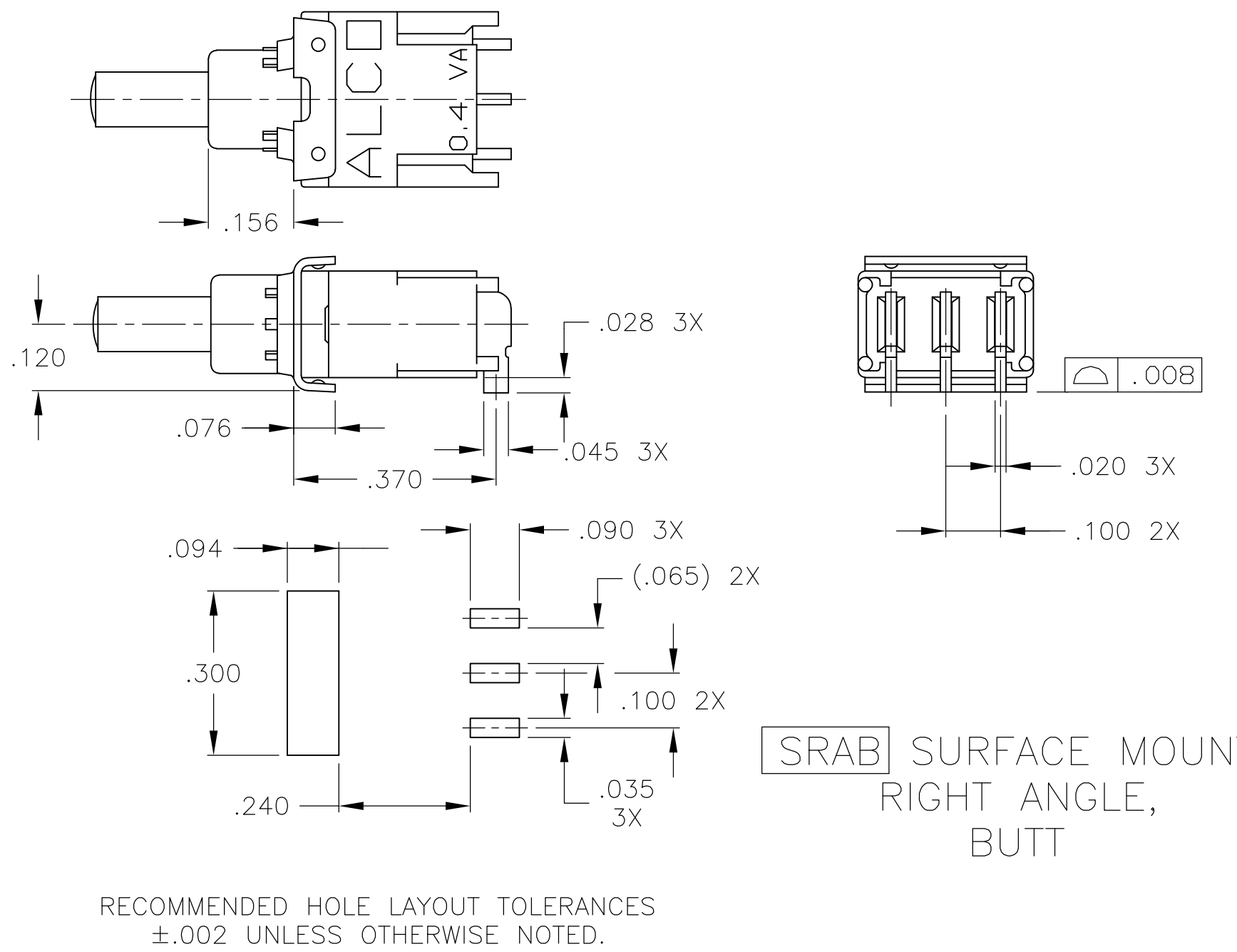
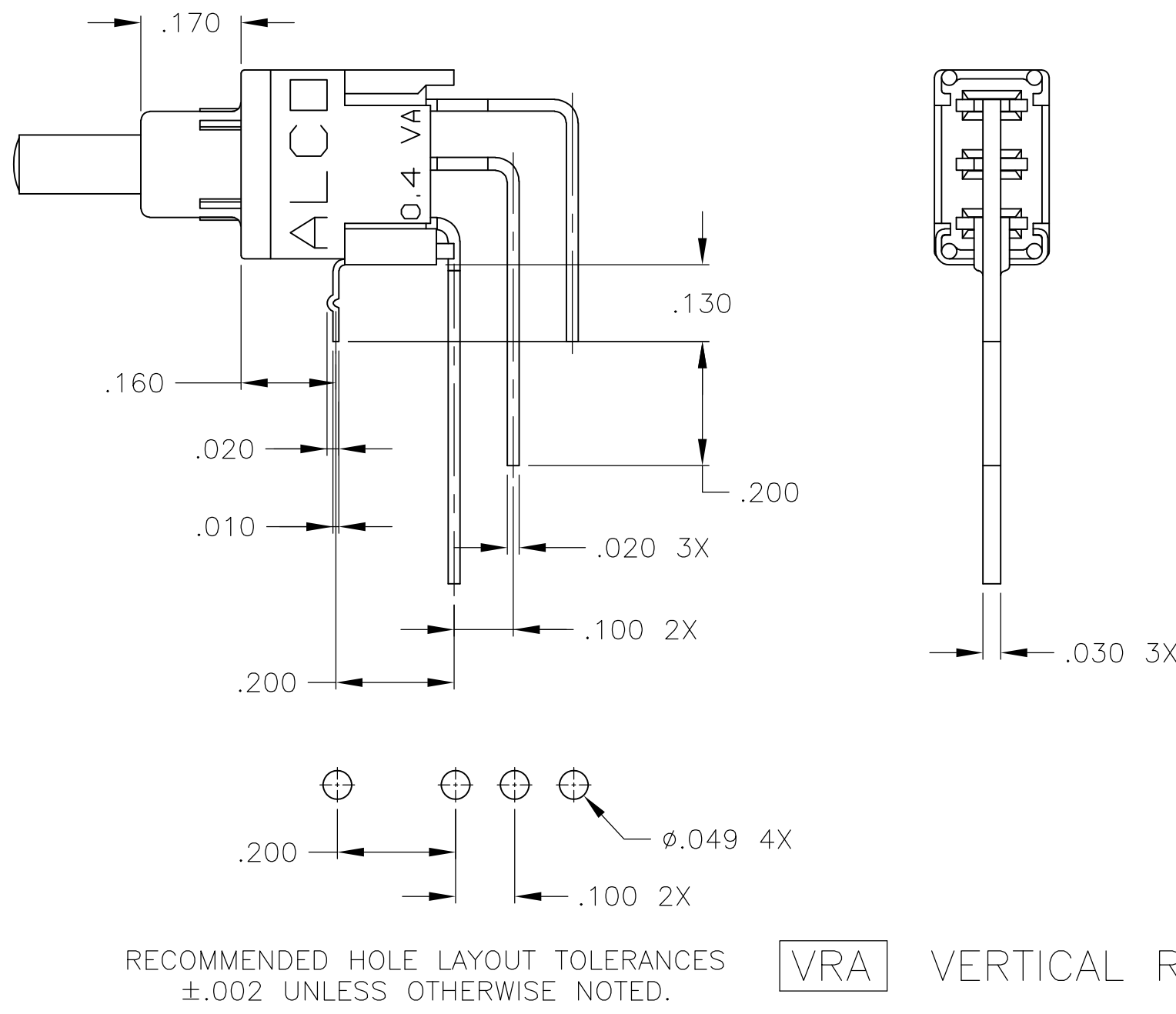
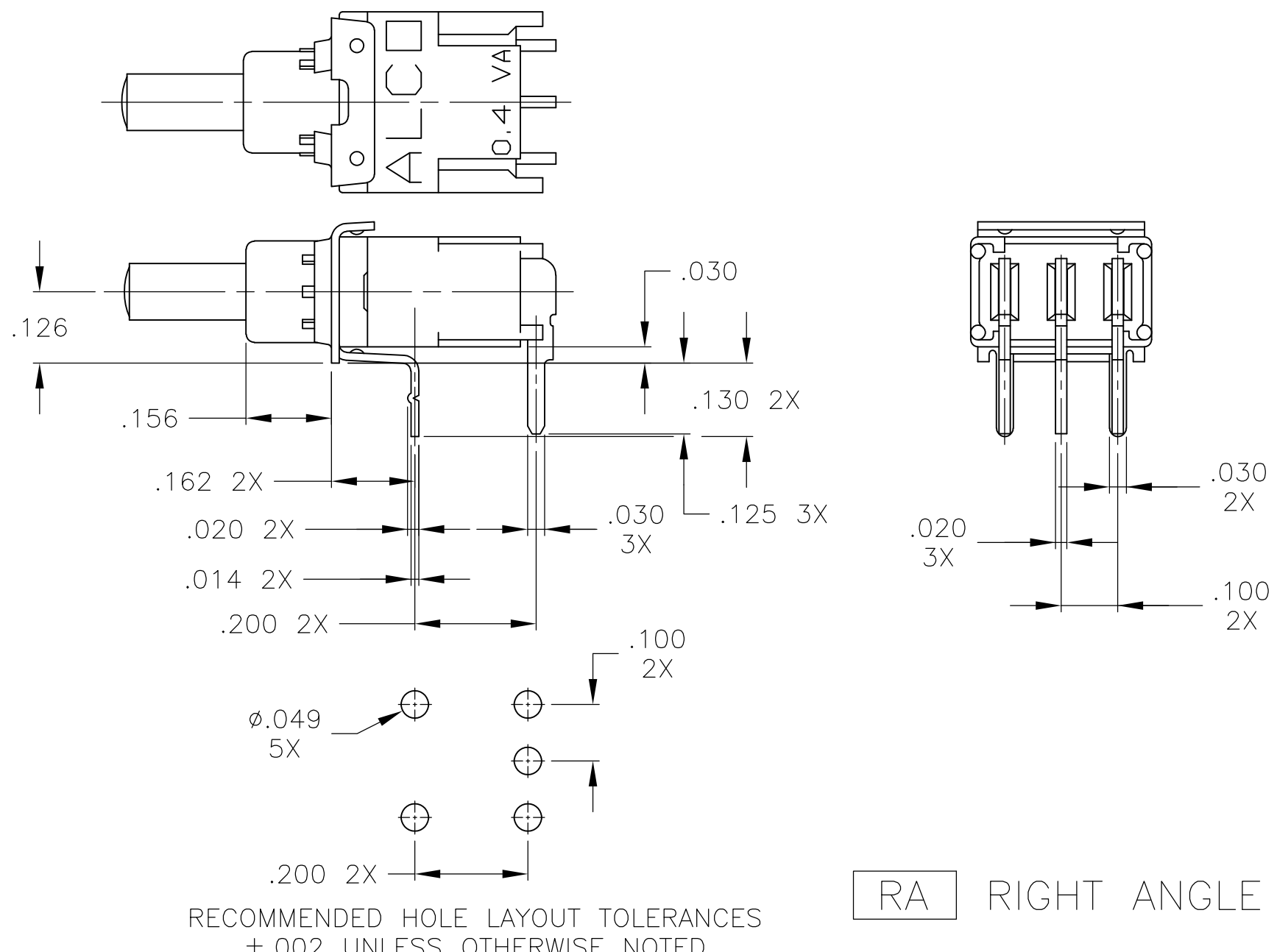
RECOMMENDED HOLE LAYOUT TOLERANCES $\pm.002$ UNLESS OTHERWISE NOTED.

FILE NAME: 40287S1L		DIRECTIONS: INCHES		TOLERANCES UNLESS OTHERWISE SPECIFIED:		DWN: C.M.M. 9-19-90			
DIRECTOR: PSHSWTCH				0 PLC \pm -		CHK: B.J.A. 12-20-90			
CODE IDENT. NO. 91506				MATERIAL: SEE SPECIFICATIONS		1 PLC \pm -		APVD: B.J.A. 12-20-90	
PRODUCT CODE: B53		FINISH: SEE NOTES		2 PLC \pm -		APPLICATION SPEC: -		CAGE CODE: 00779	
				3 PLC \pm .010		WEIGHT: -		DRAWING NO. 1-1437573-1	
				4 PLC \pm -		CUSTOMER DRAWING		RESTRICTED TO: -	
				ANGLES \pm 1°		SCALE: 4:1		SHEET: 2 of 4	
				FINISH: -		REV: H			

1-1437573-1

THIS DRAWING IS UNPUBLISHED. RELEASED FOR PUBLICATION
 © COPYRIGHT - By - ALL RIGHTS RESERVED.

LOC		DIST		REVISIONS			
P	LTR	DESCRIPTION	DATE	DWN	APVD		
-	-	SEE SHEET 1	-	-	-	-	-



ACTUATORS


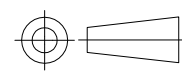


FILE NAME: 40287S1L	DIMENSIONS: INCHES	TOLERANCES UNLESS OTHERWISE SPECIFIED:	DWN C.M.M. 9-19-90		NAME		
DIRECTORY: PSHSWCH		0 PLC ± -	CHK B.J.A. 12-20-90		OUTLINE DRAWING SEALED PUSHBUTTON SWITCH SINGLE POLE TSP SERIES		
CODE IDENT. NO. 91506		1 PLC ± -	APVD B.J.A. 12-20-90	SIZE	CAGE CODE	DRAWING NO	RESTRICTED TO
PRODUCT CODE: B53	MATERIAL SEE SPECIFICATIONS	2 PLC ± -	PRODUCT SPEC	A2	00779	1-1437573-1	-
		3 PLC ± .010	APPLICATION SPEC	SCALE	4:1	SHEET	3 of 4
		4 PLC ± -	FINISH	CUSTOMER DRAWING		REV	H
		ANGLES ± 1°	SEE NOTES				

THIS DRAWING IS UNPUBLISHED. RELEASED FOR PUBLICATION
 © COPYRIGHT - By - ALL RIGHTS RESERVED.

LOC		DIST		REVISIONS			
P	LTR	DESCRIPTION	DATE	DWN	APVD		
-	-	SEE SHEET 1	-	-	-		

	TSPD11CGPC0	1-1437573-1
	TSPD11CGPC2	1-1437573-3
	TSPD11CGPCV0	1-1437573-4
	TSPD11CGRA0	1-1437573-5
	TSPD11CGRA2	1-1437573-7
OBSOLETE	TSPD11CGRA6	4-1437573-2
	TSPD11CGSPC0	1-1437573-8
	TSPD11CGSPC2	4571210-1
	TSPD11CGSRA0TR	1571733-1
	TSPD11CGSRA0	1-1437573-9
	TSPD11CGSRA2	2-1437573-0
OBSOLETE	TSPD11CGSRAB0	2-1437573-1
	TSPD11CGVRA0	2-1437573-2
	TSPD11CGWW0	2-1437573-3
	TSPD11FGPC0	2-1437573-4
	TSPD11FGPCV0	2-1437573-5
	TSPD11FGRA0	2-1437573-6
OBSOLETE	TSPD11FGSPC0	2-1437573-7
	TSPD11FGSRA0	2-1437573-8
	TSPD11FGSRAB0	2-1437573-9
	TSPD11FGVRA0	3-1437573-0
	TSPDF11CGPC0	3-1437573-1
OBSOLETE	TSPDF11CGSRAB0TR	4571460-1
	TSPDF11CGSRA0TR	4571533-1
	TSPDF11CGRA0	3-1437573-2
	TSPDF11CGSRA0	3-1437573-3
	TSPDF11CGVRA0	3-1437573-4
	TSPDF11FGPC0	3-1437573-5
	TSPDF11FGRA0	3-1437573-6
OBSOLETE	TSPDF11FGSRA0	3-1437573-7
PRELIMINARY PART	TSPDF11FGVRA0	1571369-1
	MODEL NUMBER	PART NUMBER

FILE NAME: 40287S1L	THIS DRAWING IS A CONTROLLED DOCUMENT.		DWN C.M.M.	9-19-90	 TE Connectivity OUTLINE DRAWING SEALED PUSHBUTTON SWITCH SINGLE POLE TSP SERIES
DIRECTORY: PSHSWCH	DIMENSIONS: INCHES	TOLERANCES UNLESS OTHERWISE SPECIFIED:	CHK B.J.A.	12-20-90	
CODE IDENT. NO. 91506		0 PLC ± - 1 PLC ± - 2 PLC ± - 3 PLC ± .010 4 PLC ± - ANGLES ± 1°	APVD B.J.A.	12-20-90	
PRODUCT CODE: B53		MATERIAL SEE SPECIFICATIONS	FINISH SEE NOTES	PRODUCT SPEC APPLICATION SPEC	
			WEIGHT -	CAGE CODE 00779	DRAWING NO 1-1437573-1
			CUSTOMER DRAWING		RESTRICTED TO -
			SCALE 4:1	SHEET 4 of 4	REV H

单击下面可查看定价，库存，交付和生命周期等信息

[>>TE Connectivity\(泰科\)](#)