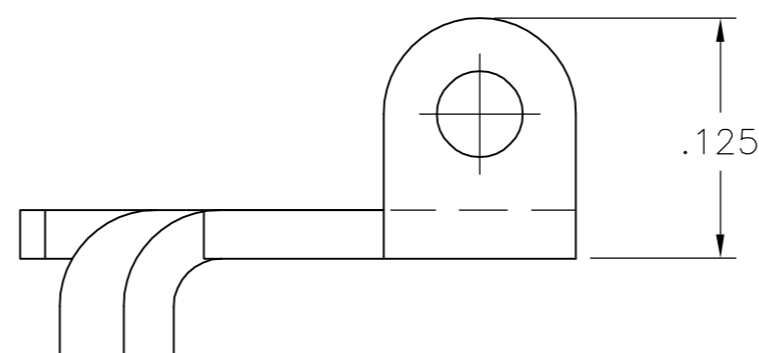
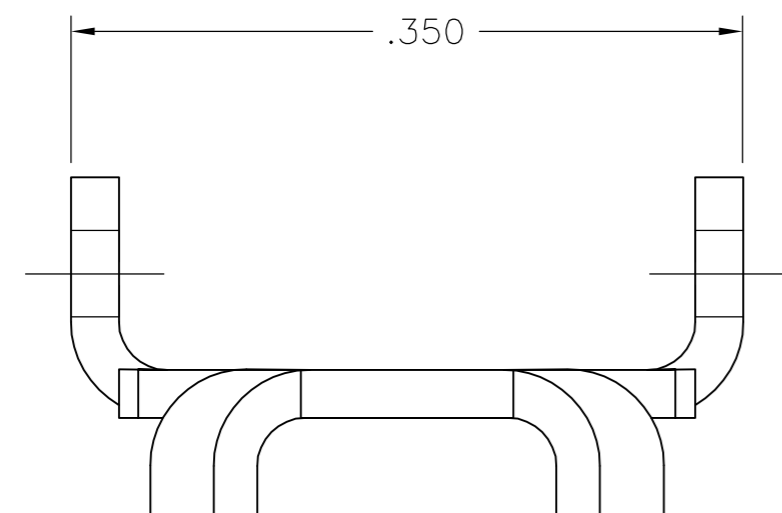
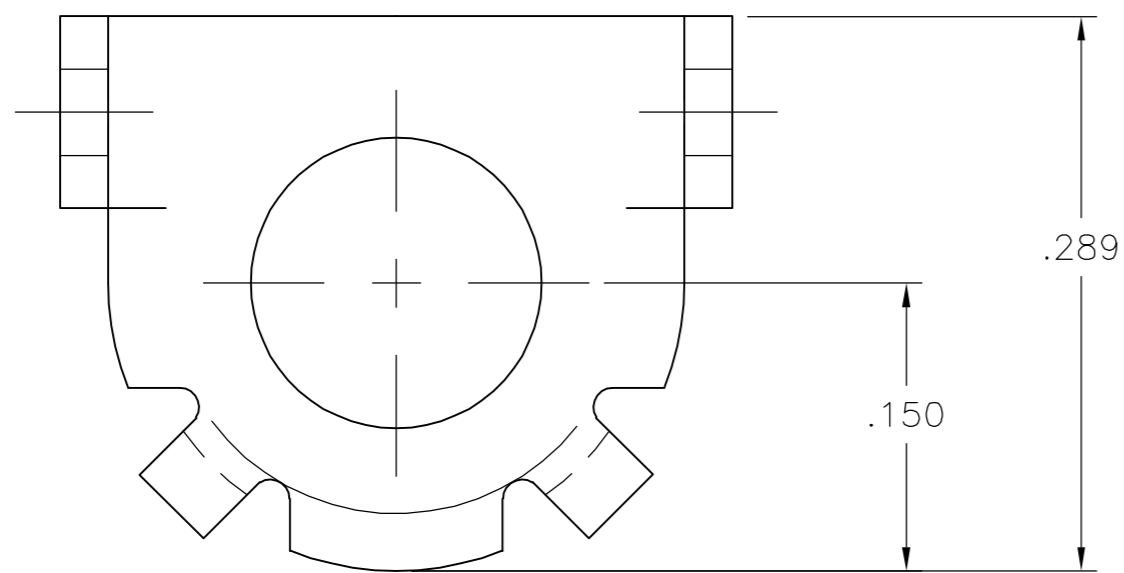


THIS DRAWING IS UNPUBLISHED. RELEASED FOR PUBLICATION
 © COPYRIGHT BY TYCO ELECTRONICS CORPORATION. ALL RIGHTS RESERVED.

LOC	DIST	REVISIONS			
P	LTR	DESCRIPTION	DATE	DWN	APVD
GP	00	A	REVISED PER ECO-06-025935	12/FEB/07	ZMR WLM

1. ALL DIMENSIONS SHOWN ARE FOR REFERENCE ONLY UNLESS OTHERWISE SPECIFIED.
2. BRIGHT ZINC PLATE WITH CLEAR HEXAVALENT CHROMATE COATING.
3. BRIGHT ZINC PLATE WITH CLEAR TRIVALENT CHROMATE COATING.



	3	552101-3
OBSOLETE	2	552101-1
	FINISH	PART NUMBER

THIS DRAWING IS A CONTROLLED DOCUMENT.		DWN	B. MCMASTER	16JAN06	 Tyco Electronics Corporation Harrisburg, PA 17105-3608		
DIMENSIONS: INCHES		CHK	W. MILLHIMES	16JAN06			
TOLERANCES UNLESS OTHERWISE SPECIFIED:		APVD	W. MILLHIMES	16JAN06			
0 PLC ± - 1 PLC ± - 2 PLC ± - 3 PLC ± - 4 PLC ± - ANGLES ± - FINISH		PRODUCT SPEC		NAME			
MATERIAL		APPLICATION SPEC		SIZE	CAGE CODE	DRAWING NO	RESTRICTED TO
CARBON STEEL		WEIGHT		A2	00779	C=552101	-
CUSTOMER DRAWING				SCALE	10:1	SHEET	1 of 1
				REV	A		

单击下面可查看定价，库存，交付和生命周期等信息

[>>TE Connectivity\(泰科\)](#)