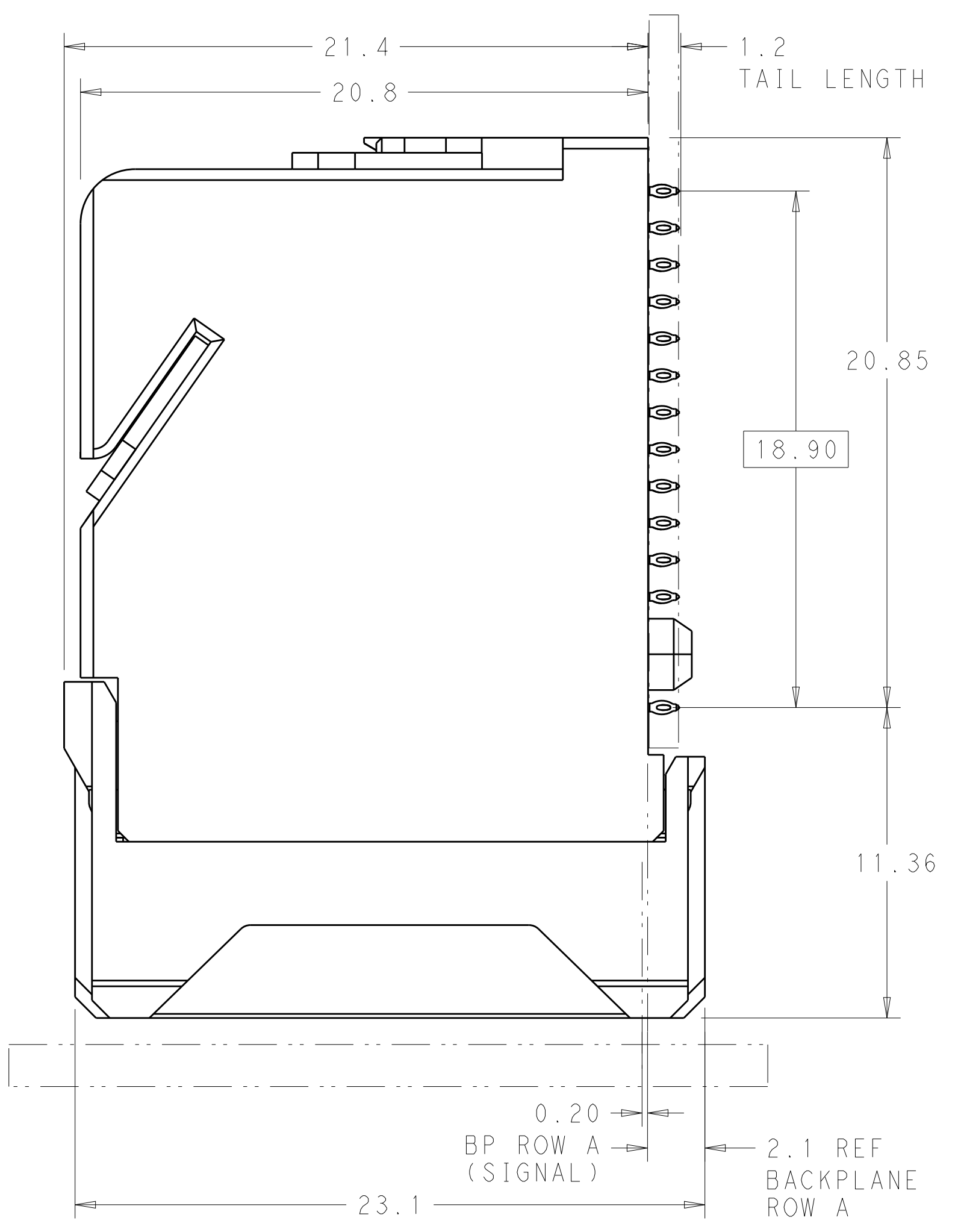
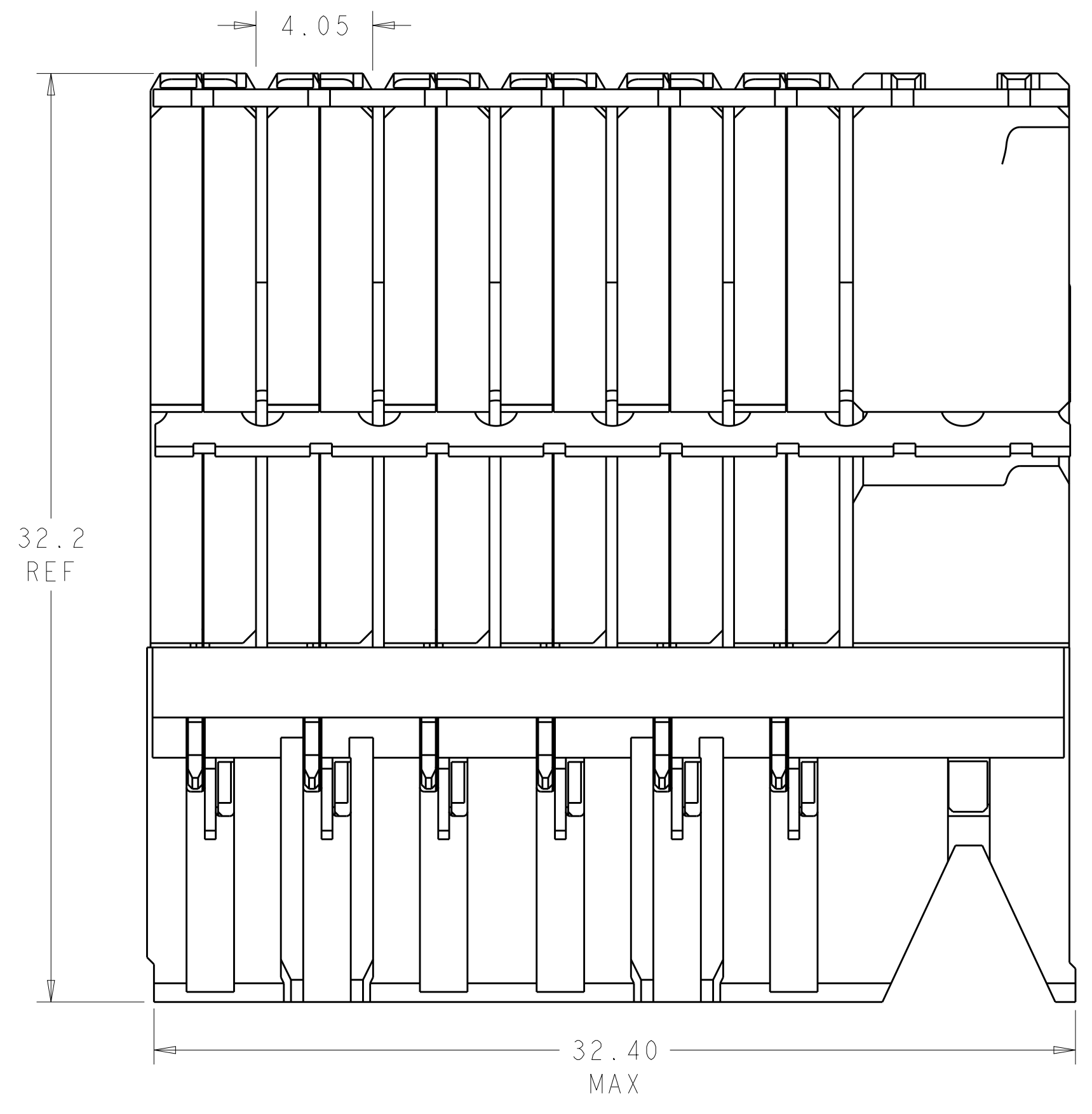
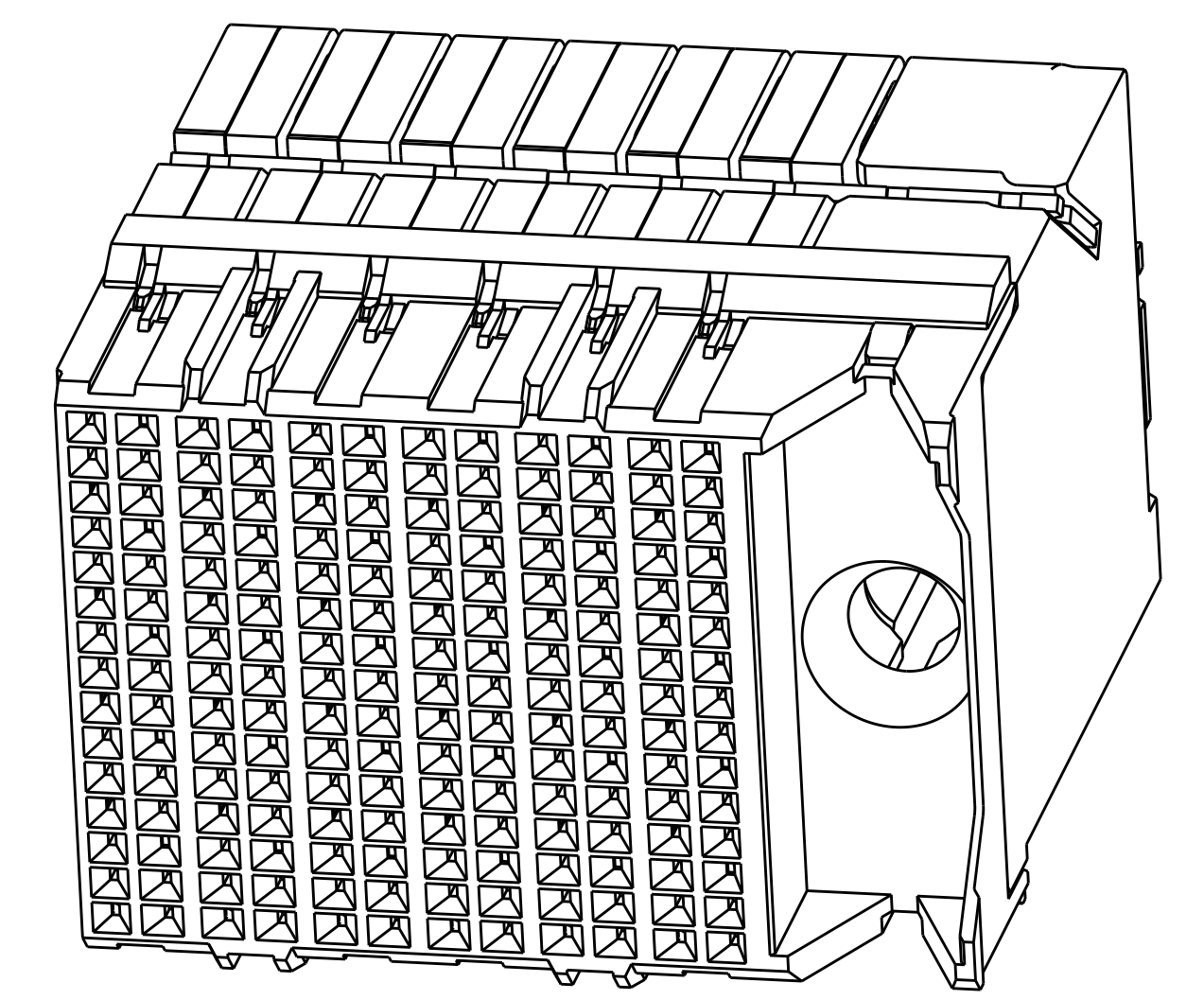


LOC		DIST		REVISIONS			
AD	00	P	LTN	DESCRIPTION	DATE	DWN	APVD
		D		REVISED PER ECO-15-004915	10APR2015	AP	DD

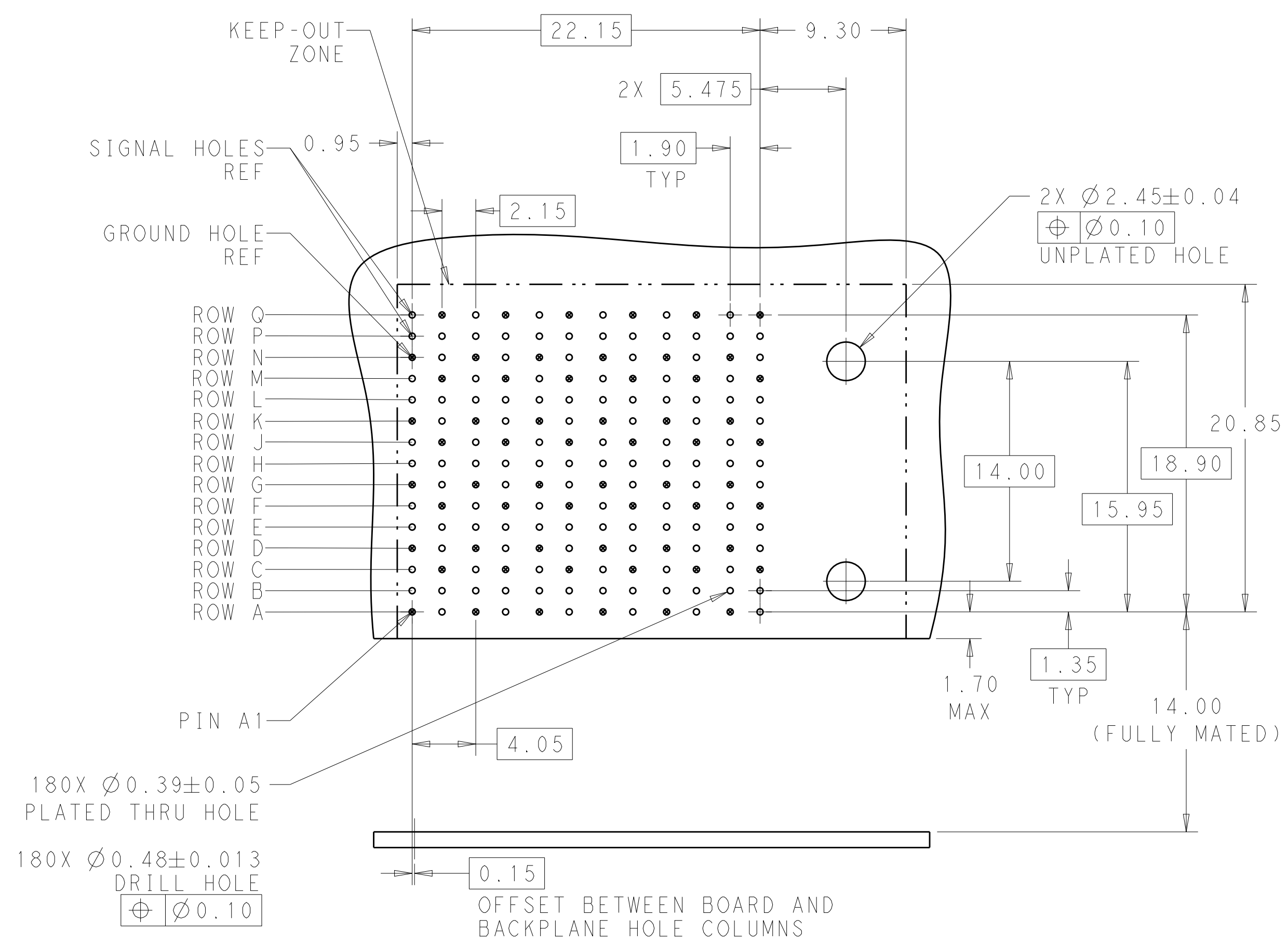
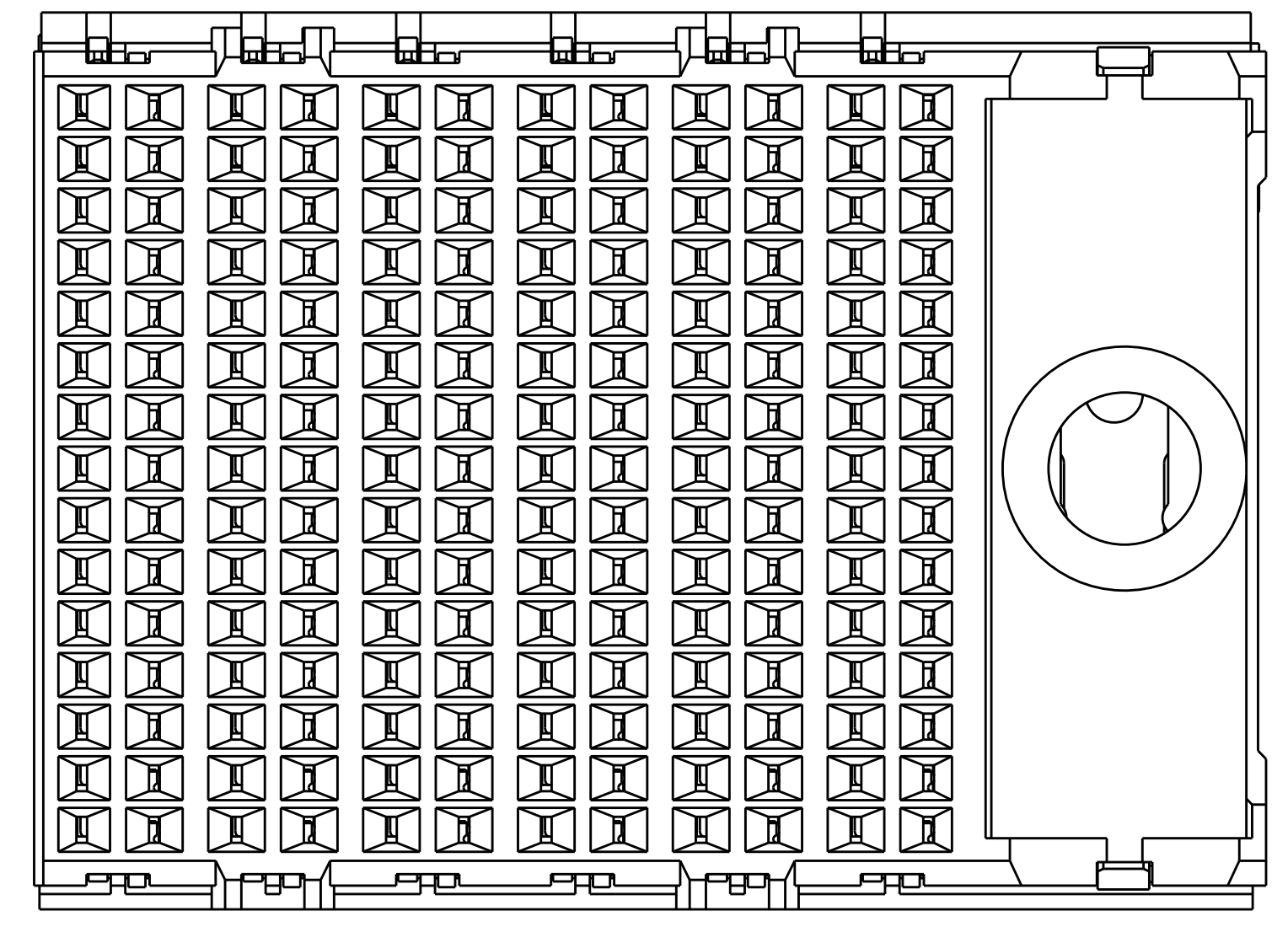


- ⚠ MATERIAL:  
HOUSING: LCP, GLASS FILLED, UL94V-0.  
TERMINALS: HIGH PERFORMANCE COPPER ALLOY.
- ⚠ FINISH:  
30µ" SELECTIVE GOLD IN CONTACT AREA. SELECTIVE TIN ON PCB TAILS, NICKEL OVERALL.
- 3. CONNECTORS SUPPLIED WITH MOUNTING SCREWS.



SCALE 4:1

REFER TO WWW.TE.COM FOR PRODUCT AVAILABILITY



180X Ø0.39±0.05 PLATED THRU HOLE  
 180X Ø0.48±0.013 DRILL HOLE  
 Ø0.10

RECOMMENDED PCB LAYOUT  
 MIN BOARD THICKNESS 1.0

NONE	⚠	2132697-1
KEY POSITION	FINISH	PART NUMBER

THIS DRAWING IS A CONTROLLED DOCUMENT.		DWN	29APR2011	TE Connectivity NAME: IMPACT, ORTHOGONAL, 5 PAIR, DAUGHTERCARD, 12 COLUMN, RIGHT GUIDED, SIGNAL MODULE, 0.39 EYELET PRODUCT SPEC: - APPLICATION SPEC: - SIZE: - CAGE CODE: - DRAWING NO: A100779 ©=2132697 WEIGHT: - CUSTOMER DRAWING: - SCALE: 6:1 SHEET: 1 OF 1 REV: D
DIMENSIONS:	TOLERANCES UNLESS OTHERWISE SPECIFIED:	CHK	D. DIXON 29APR2011	
mm	0 PLC ± 1 PLC ±0.25 2 PLC ±0.15 3 PLC ± 4 PLC ±	APVD	D. DIXON 29APR2011	
DRILL HOLE MATERIAL: - FINISH: SEE TABLE ANGLES: -				

单击下面可查看定价，库存，交付和生命周期等信息

[>>TE Connectivity\(泰科\)](#)