

4

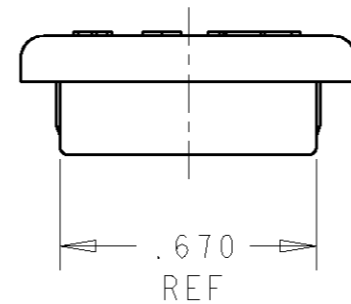
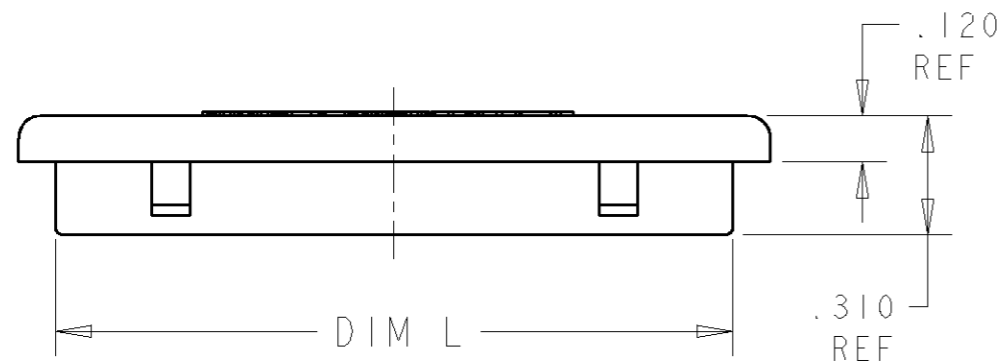
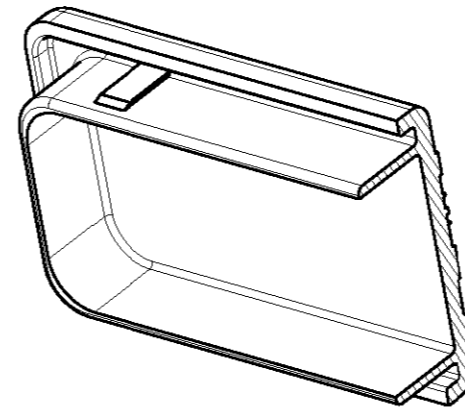
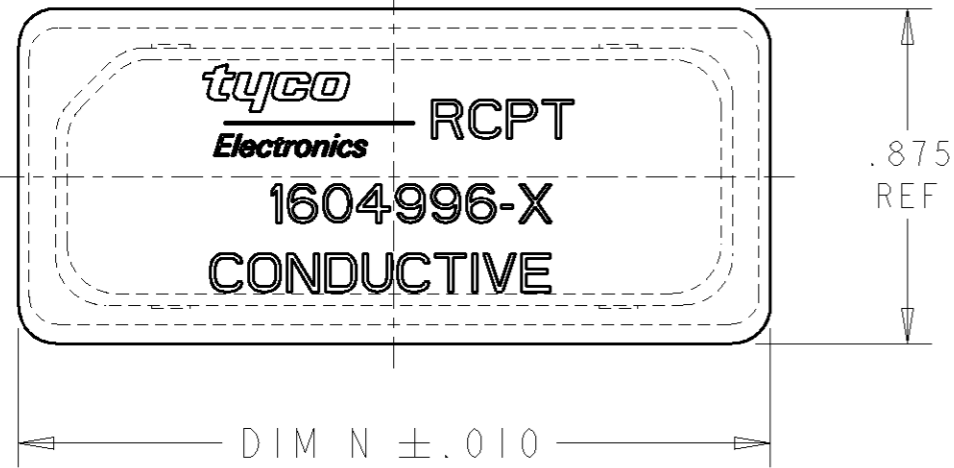
3

2

1

THIS DRAWING IS UNPUBLISHED. RELEASED FOR PUBLICATION 20  
© COPYRIGHT 20 BY TYCO ELECTRONICS CORPORATION. ALL RIGHTS RESERVED.

LOC	DIST	REVISIONS			
P	LTR	DESCRIPTION	DATE	DWN	APVD
	0	RELEASE PER 0H14-0409-04	15JUN2004	BW	WB



1.769	1.965	6 POSN (1604926 AND 1604927)	1604996-3
1.214	1.410	2 POSN (1604896 AND 1604897)	1604996-2
2.865	3.060	12 POSN (1604798 AND 1604799)	1604996-1
L	N±.010	USED ON	PART NUMBER
DIMENSIONS			

MATL: CONDUCTIVE POLYPROPYLENE  
COLOR: BLACK

DIMENSIONS:		TOLERANCES UNLESS OTHERWISE SPECIFIED:		DWN	Tyco Electronics	
IN		0 PLC ±-		Brent D. Yohn	Harrisburg, PA 17105-3608	
		1 PLC ±.1		15 JUN 2004	COVER, DUST, ESD, RECEPTACLE, BOEING QUADRAX RECTANGULAR	
		2 PLC ±.01		W.H. BERNHART		
		3 PLC ±.005		15 JUN 2004		
		4 PLC ±.0020		W.H. BERNHART	NAME	
		ANGLES ±1			PRODUCT SPEC	
MATERIAL		FINISH	-		APPLICATION SPEC	
					WEIGHT	
					SIZE	
					CAGE CODE	
					DRAWING NO	
					RESTRICTED TO	
					A3 00779 C-1604996	
					SCALE	
					SHEET	
					OF	
					REV	
					0	

单击下面可查看定价，库存，交付和生命周期等信息

[>>TE Connectivity\(泰科\)](#)