

THIS DRAWING IS UNPUBLISHED.

RELEASED FOR PUBLICATION FEB ,2006.

© COPYRIGHT 2006 By -

ALL RIGHTS RESERVED.

LOC E	DIST B	REVISIONS		
P	LTR	DESCRIPTION	DATE	DWN
	D	ECO-14-000452	28APR2015	RZ
				APVD MC

NOTES:

1 SINGLE PACKING: ONE CONNECTOR PER LABELED BAG PACKAGED. LABELED PER TEC-107-115

2 TRAY PACKAGED

3 Au PLATING

4 ELECTRICAL CHARACTERISTICS

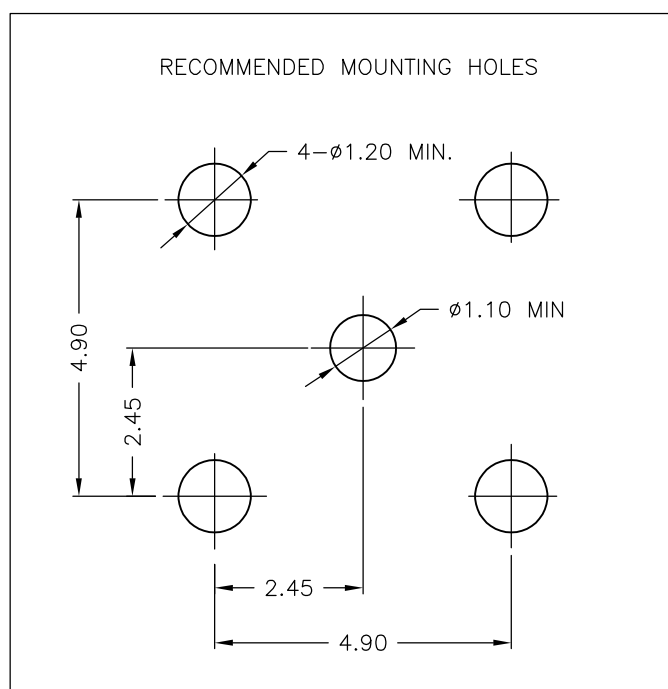
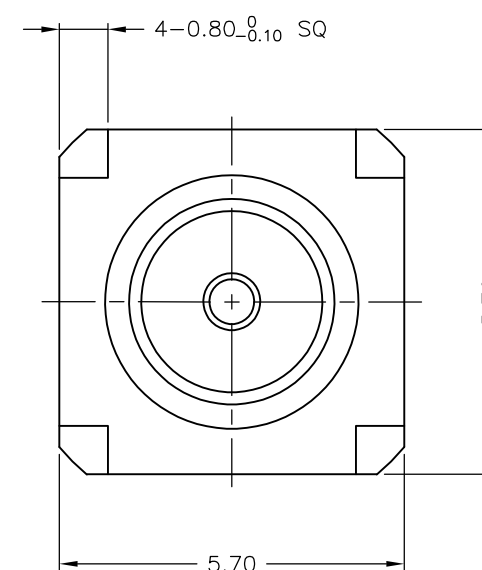
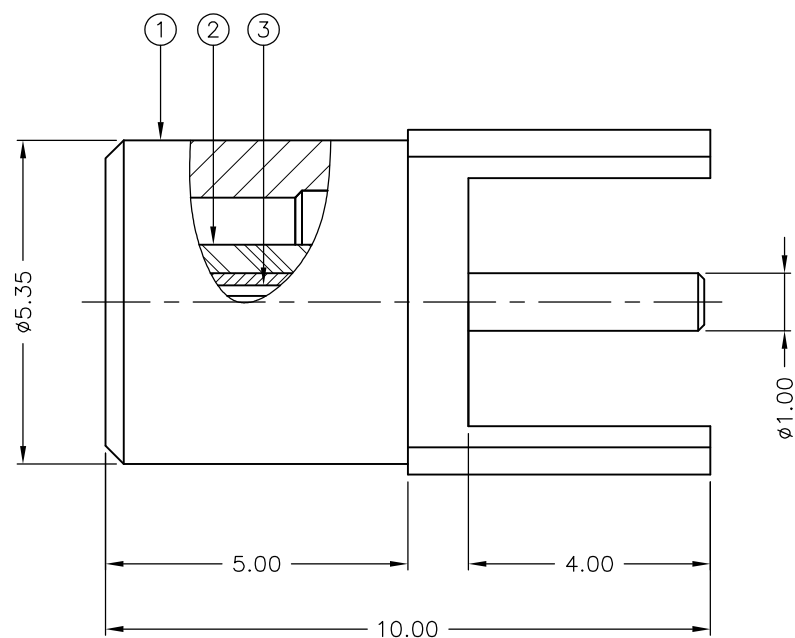
FREQUENCY RANGE: DC - 6 GHz  
 NOMINAL IMPEDANCE: 50 Ohm  
 INSULATION RESISTANCE: 1000 MOhm  
 WORKING VOLTAGE: 335 Volts RMS at Sea Level  
 DIELECTRIC WITHSTAND VOLTAGE: 1000 Volts RMS Max  
 CONTACT RESISTANCE:  
 CENTER CONTACT: 5.00 mOhm Max  
 OUTER CONTACT: 1.00 mOhm Max  
 VSWR @ 4GHz: N/A  
 INSERTION LOSS dB @ x 1.0 GHz: 0.10 Max

5 MECHANICAL CHARACTERISTICS


DURABILITY: 500 Cycles Min

6 ENVIRONMENTAL CHARACTERISTICS

OPERATING TEMPERATURE: -65 to +165 DegC



	1	1	BERYLLIUM COPPER	CONTACT	3
	1	1	PTFE	INSULATION	2
	1	1	BRASS	BODY	1
	6--0	1--0	MATERIAL	DESCRIPTION	ITEM
QUANTITY PER ASSY			PARTS LIST		

THIS DRAWING IS A CONTROLLED DOCUMENT.		DWN J.SANDWELL	02FEB06	 <b>TE Connectivity</b>	
		CHK S.PARLOW	02FEB06		
		APVD F.WHEELER-KING	02FEB06		
		PRODUCT SPEC			
DIMENSIONS: mm		TOLERANCES UNLESS OTHERWISE SPECIFIED:		NAME MCX STRAIGHT PCB SOCKET 50 OHM	
		0 PLC ± - 1 PLC ± - 2 PLC ± 0.10 3 PLC ± - 4 PLC ± - ANGLES ± -		APPLICATION SPEC	
MATERIAL SEE TABLE		FINISH -		WEIGHT -	
		CUSTOMER DRAWING		SIZE A3	CAGE CODE 00779
				DRAWING NO C-1337581	RESTRICTED TO -
				SCALE NTS	SHEET 1 OF 1
				REV D	

单击下面可查看定价，库存，交付和生命周期等信息

[>>TE Connectivity\(泰科\)](#)