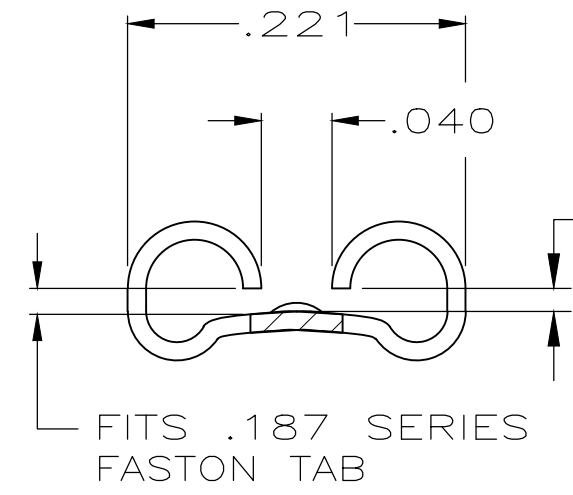
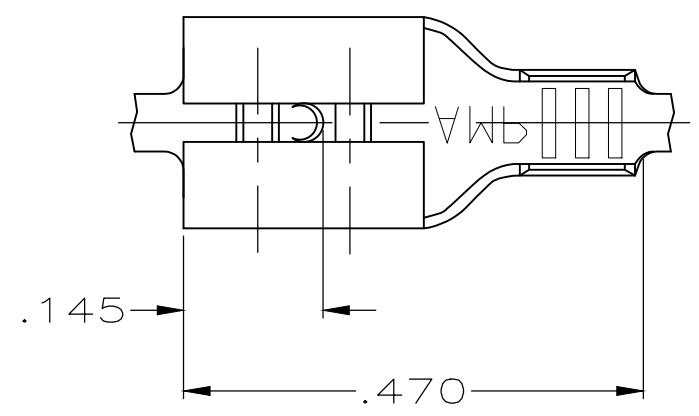


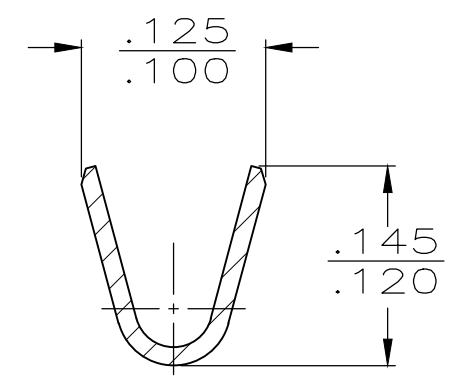
THIS DRAWING IS UNPUBLISHED. RELEASED FOR PUBLICATION
 © COPYRIGHT - By - ALL RIGHTS RESERVED.

LOC	DIST	REVISIONS					
AF	50	P	LTR	DESCRIPTION	DATE	DWN	APVD
		L1		REVISED PER ECR-20-009164	14AUG2020	MK	DH

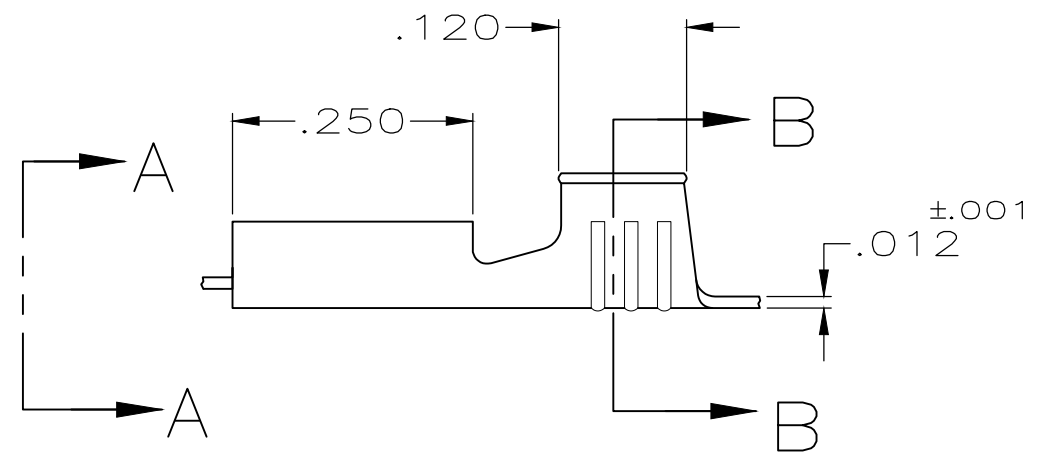
1 CONTINUOUS STRIP ON REELS



VIEW A-A
SCALE 8:1



SECTION B-B
SCALE 8:1



OBSOLETE

NICKEL	#2H STEEL	20-16	.021-.019	42373-3
TIN	BRASS	20-16	.021-.019	42373-2
-	#4H BRASS	20-16	.020	42373-1
FINISH	MATERIAL	WIRE SIZE	MATING TAB THK	PART NUMBER

.188	F	.090	.060	16
			.053	18
			.049	20
STRIP LENGTH ±.015	TYPE	WIDTH	±.002 HEIGHT	WIRE
WIRE BARREL CRIMP				

THIS DRAWING IS A CONTROLLED DOCUMENT.

DIMENSIONS: INCHES

TOLERANCES UNLESS OTHERWISE SPECIFIED:

0 PLC	± -
1 PLC	± -
2 PLC	± -
3 PLC	± .015
4 PLC	± -
ANGLES	± -

MATERIAL: SEE TABLE

FINISH: SEE TABLE

DWN: JR RUTH 7/14/89

CHK: MS FEHER 7/14/89

APVD: C MEYERS 7/14/89

PRODUCT SPEC: -

APPLICATION SPEC: -

WEIGHT: -

STE TE Connectivity

NAME: RECEPTACLE, FASTON™, .187 SERIES

SIZE: A3 CAGE CODE: 00779 DRAWING NO: C-42373 RESTRICTED TO: -

CUSTOMER DRAWING SCALE: 5:1 SHEET: 1 OF 1 REV: L1

单击下面可查看定价，库存，交付和生命周期等信息

[>>TE Connectivity\(泰科\)](#)