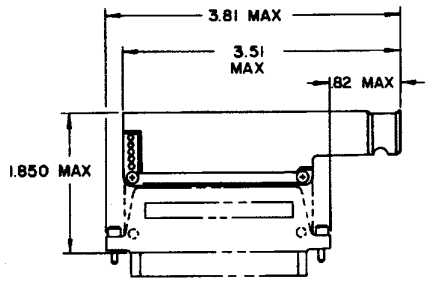
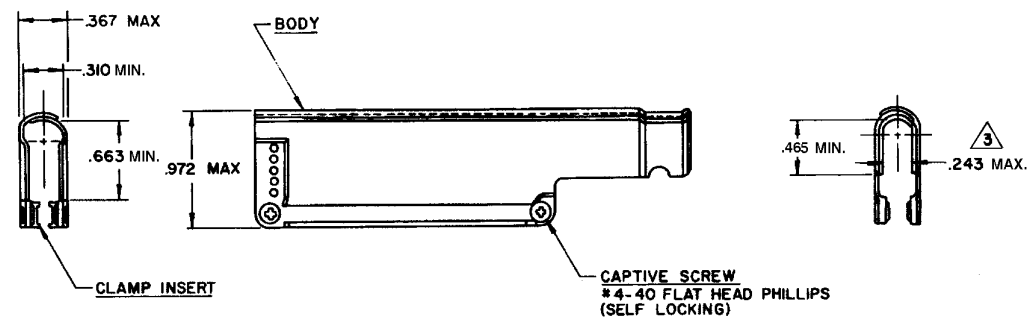


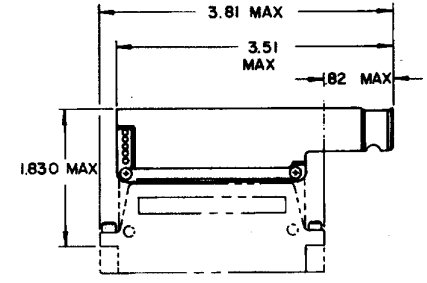
NOTES:

- 1. MATERIAL:
 - A. **BODY**; PHOSPHOR BRONZE PER QQ-B-750.
 - B. **CAPTIVE SCREW**; STAINLESS STEEL PER QQ-S-763, 300 SERIES.
 - C. **CLAMP INSERT**;
- 2. FINISH:
 - A. **BODY**; TIN PLATED PER MIL-T-10727 OVER NICKEL PER MIL-C-26074.
 - B. **CAPTIVE SCREW**; CADMIUM PLATED PER QQ-P-416 OVER NICKEL UNDERPLATE
- 3. WHEN SCREWS ARE TIGHTENED TO ACHIEVE 0.1 INCH SPACING BETWEEN SHELL HALVES (EAR THICKNESS) THIS DIMENSION SHALL BE 0.225 MIN.
- 4. **Raychem** PART NUMBER CHA-0018 IS MARKED ON BACKSHELL PACKAGE.
- 5. THIS BACKSHELL IS FOR USE WITH **Raychem** MTC SERIES CONNECTORS. 2" PLUG OR 2" RECEPTACLE AS SHOWN. FURTHERMORE IT IS FOR USE ON CADMIUM PLATED CONNECTORS WHERE 500 HOURS SALT SPRAY RESISTANCE IS REQUIRED.

A	REVISED PER ECN# 7-6234		3/14/01	D
B	REVISE PER DCR# T-28878		3/27/2001	M.HIGGY



2 INCH PLUG ASSY
INSTALLATION DATA
REF



2 INCH RECEPTACLE ASSY
INSTALLATION DATA
REF

SPECIFICATION CONTROL DRAWING

UNLESS OTHERWISE SPECIFIED DIMENSIONS ARE IN INCHES BRACKETED DIMENSIONS () ARE METRIC AND TOLERANCES ARE: .XXX: ± () .XX: ± () Δ: ± ()	DRAWN	LUTTICKEN	TYCO/ELECTRONICS/RAYCHEM WIRE AND HARNESSING PRODUCTS 307 CONSTITUTION DRIVE MENLO PARK, CALIFORNIA 94025	TITLE RIGHT ANGLE BREAKOUT BACKSHELL ASSY (FOR CADMIUM PLATED CONNECTORS) 2 INCH MTC
	CHECKED	JS		
	APPROVED	[Signature] 2/19/01		
	APPROVED	[Signature] 2/20/01		
	CAD FILE:	T28878.TIF	SIZE	CODE IDENT
	RPN.	271697-000	C	NO. 06090
			DWG. NO.	CHA-0018-003
			WEIGHT	SHEET 1 OF 1

If this document is printed it becomes uncontrolled.
Check with the web for latest revision.

DO NOT SCALE THIS DRAWING

单击下面可查看定价，库存，交付和生命周期等信息

[>>TE Connectivity\(泰科\)](#)