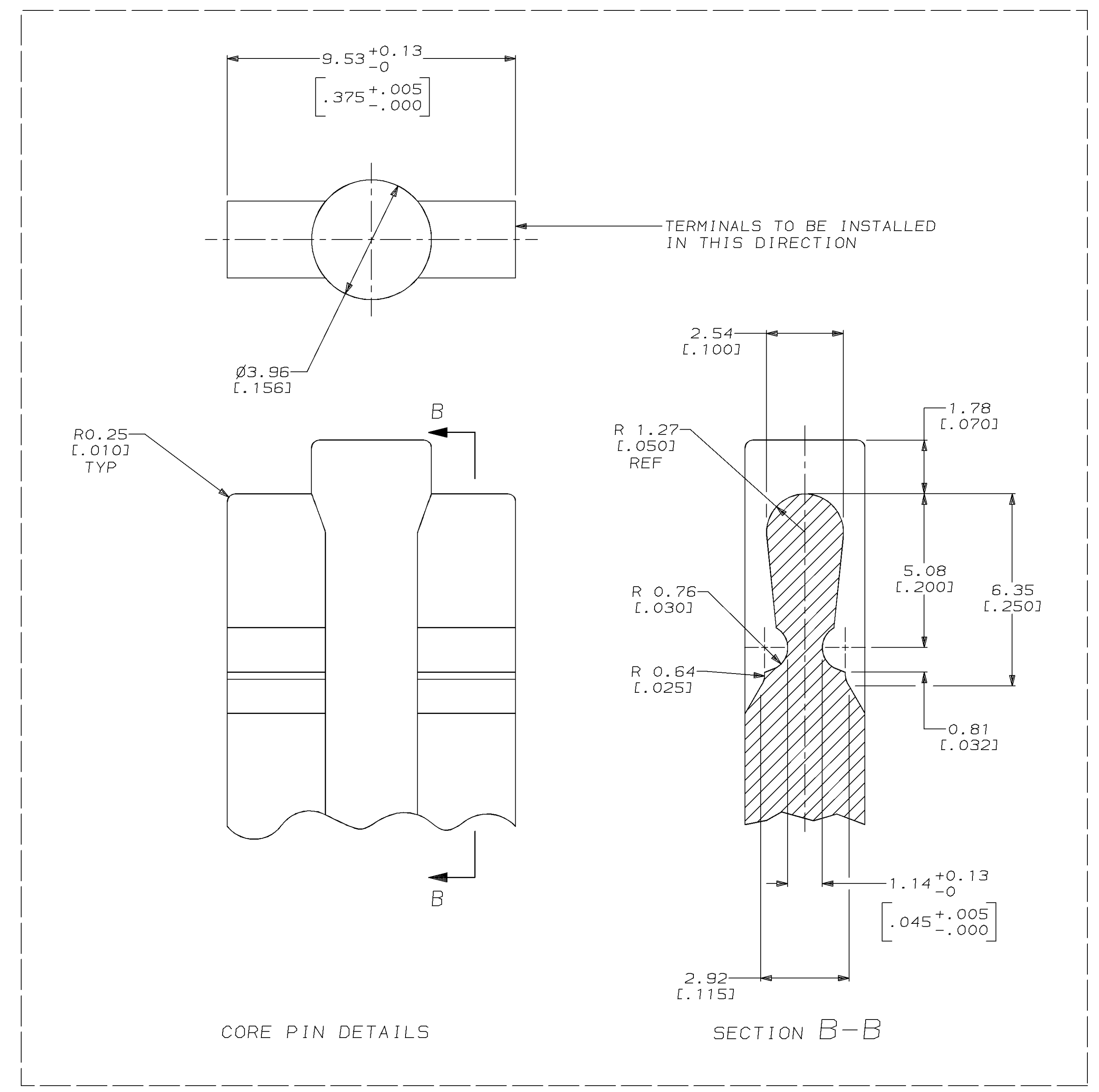
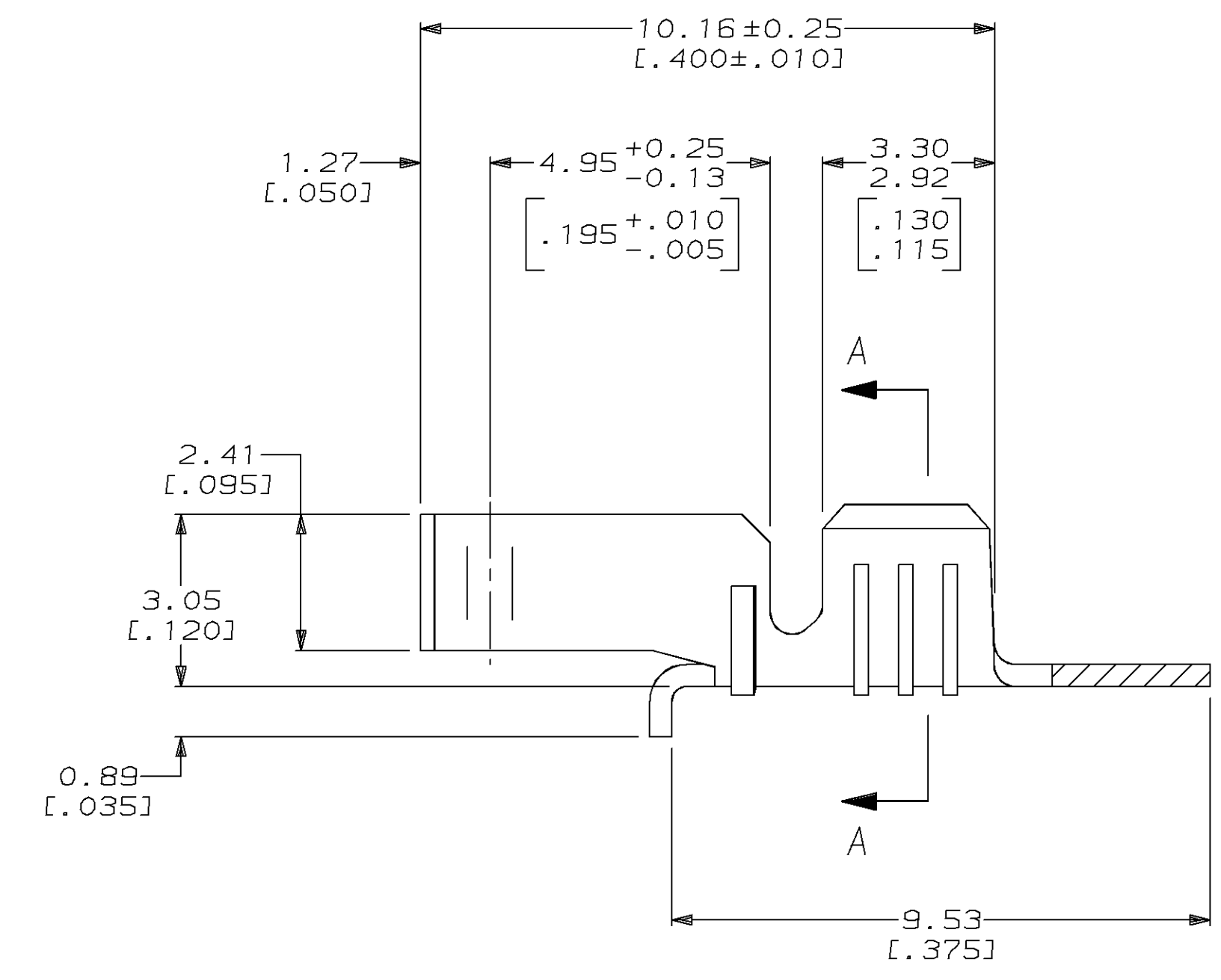
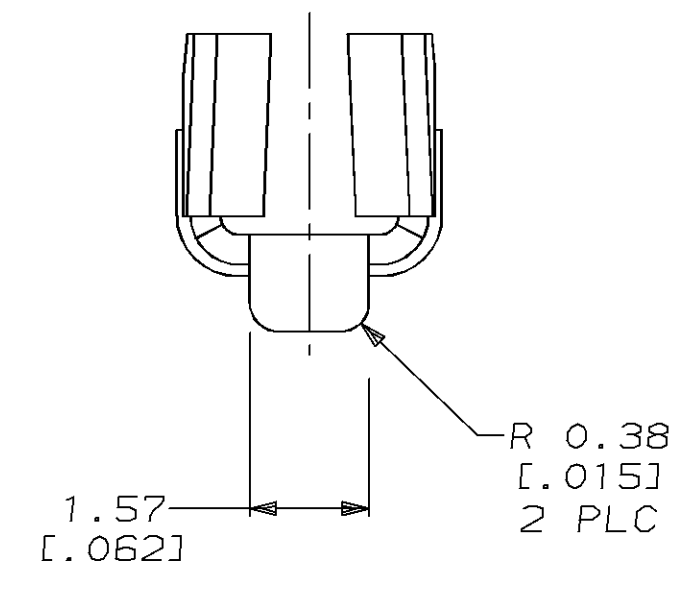
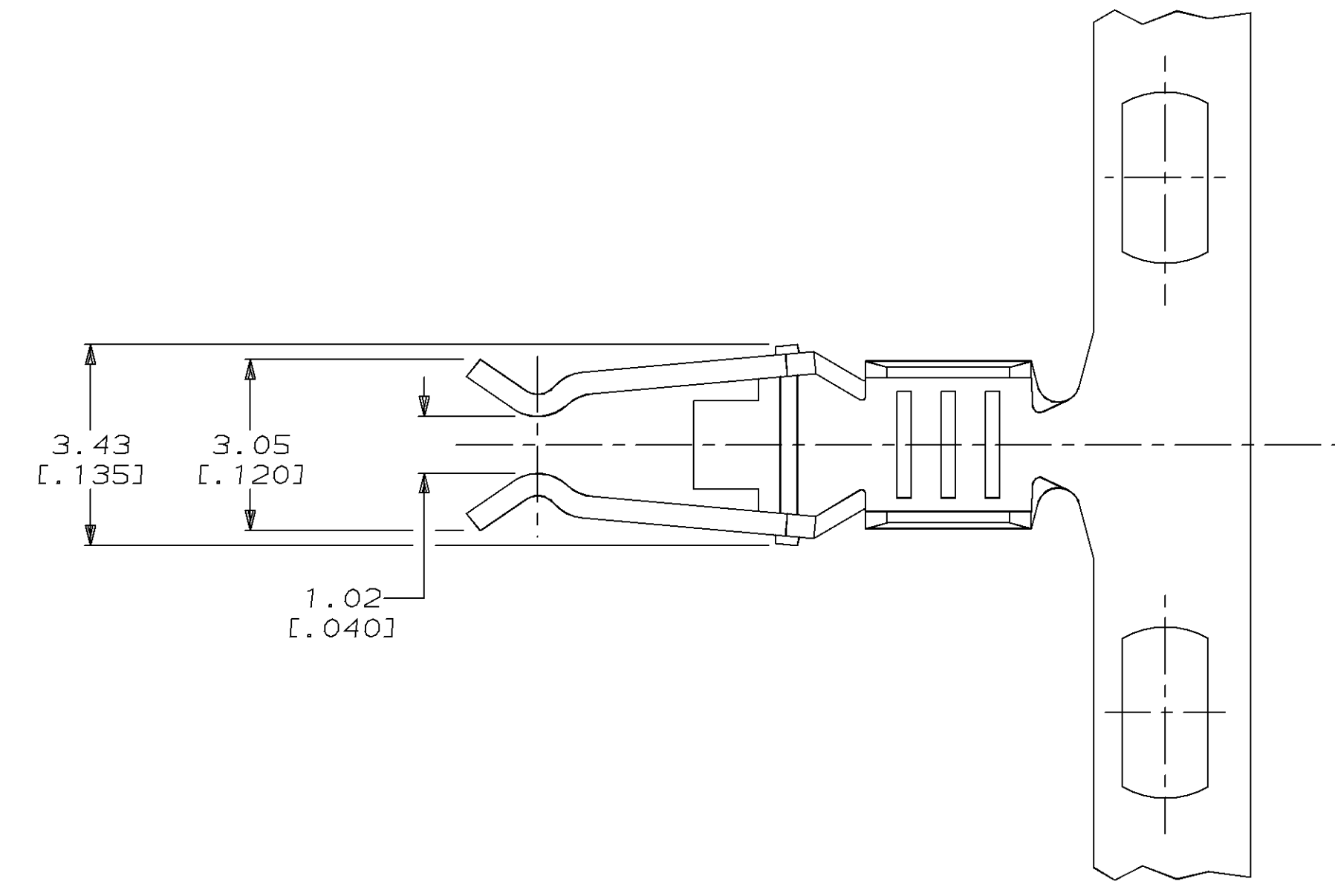
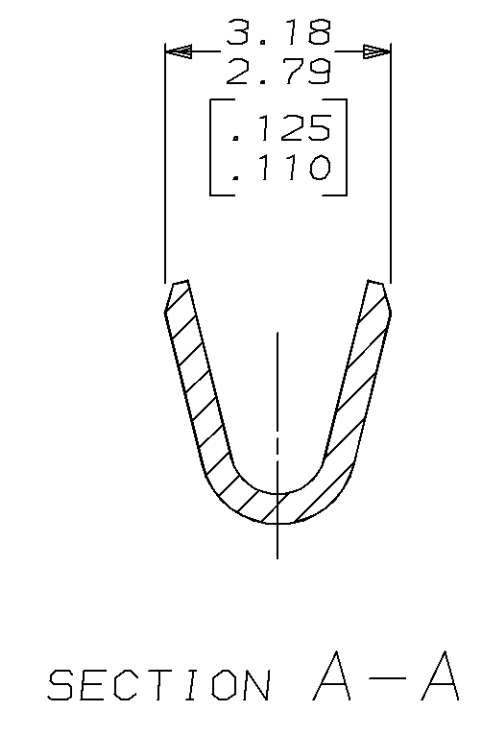


LOC		DIST		P		F		ZONE		LTR		REVISIONS		DATE	APPD
AF	50											J	REV PER 0710-0427-95	27/SEP/95	PF 05

1. WIRE RANGE: 0.5 - 1.4 mm<sup>2</sup> [20 - 16 AWG].
2. DIMENSION IN BRACKETS ARE IN INCHES.



61812-1  
PART NO

DO NOT SCALE PRINT. UNLESS SPECIFIED DIMENSIONS IN mm [INCHES] TOLERANCES ON: 2 PLC DEC ± 0.13 [.005] 3 PLC DEC ± - ANGLES ± -	DR 2-18-94 T. BECK	NAME
MATERIAL 0.41 [.016] BRASS	CHK 2-18-94 R. SWING	LAMP CLIP
FINISH PRE-TIN	APPD 4-03-95 R. GRAY	SIZE D
	APPD 4-03-95 R. GRAY	CAGE CODE 00779
	PRODUCT SPEC -	DRAWING NO C-61812
	APPLICATION SPEC -	SCALE 10:1
	WEIGHT -	SHEET 1 OF 1

AMP Incorporated Harrisburg, PA 17105-3608	
LAMP CLIP	
SCALE 10:1	SHEET 1 OF 1

**METRIC**

THIS DRAWING IS A CONTROLLED DOCUMENT FOR AMP INCORPORATED. IT IS SUBJECT TO CHANGE AND THE CONTROLLING ENGINEERING ORGANIZATION SHOULD BE CONTACTED FOR THE LATEST REVISION.

CUSTOMER DRAWING

单击下面可查看定价，库存，交付和生命周期等信息

[>>TE Connectivity\(泰科\)](#)