

THIS DRAWING IS UNPUBLISHED.

RELEASED FOR PUBLICATION

20

© COPYRIGHT 20 BY -

ALL RIGHTS RESERVED.

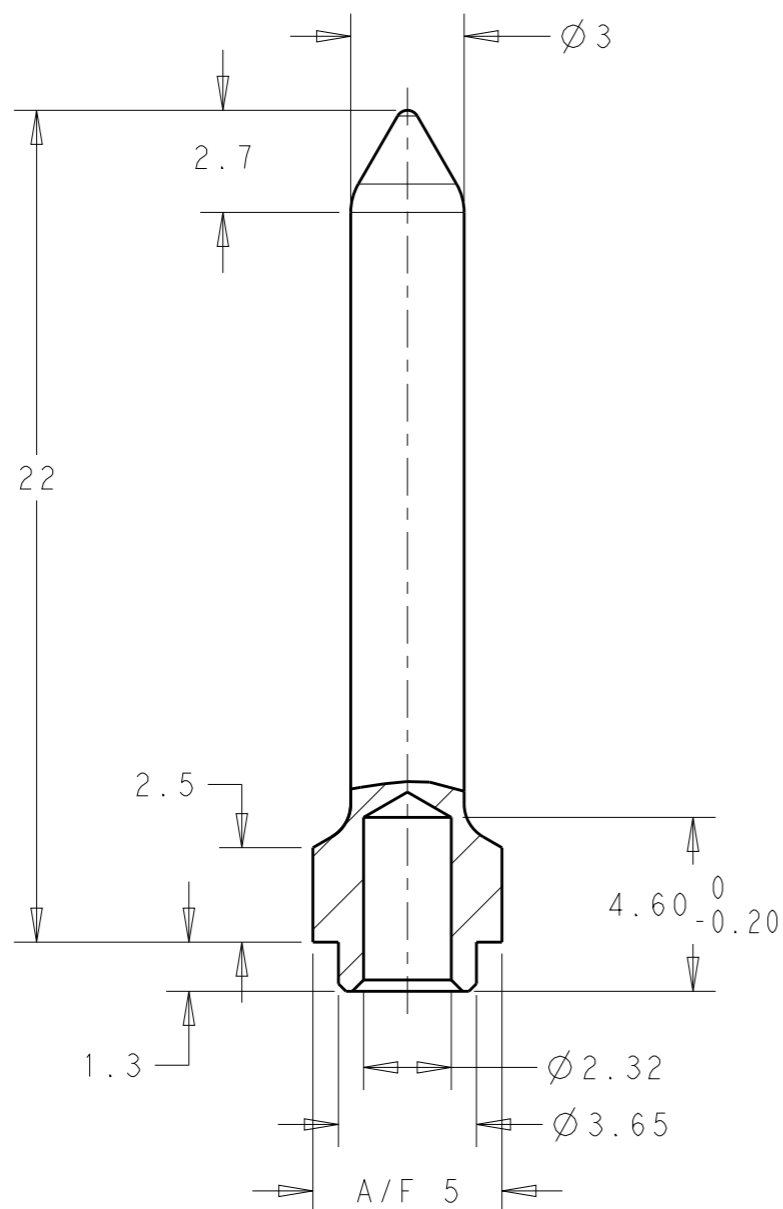
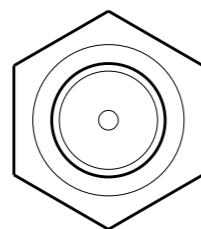
REVISIONS

P	LTR	DESCRIPTION	DATE	DWN	APVD
	A2	REVISED PER ECO-17-013551	28DEC2017	A.S	H.L

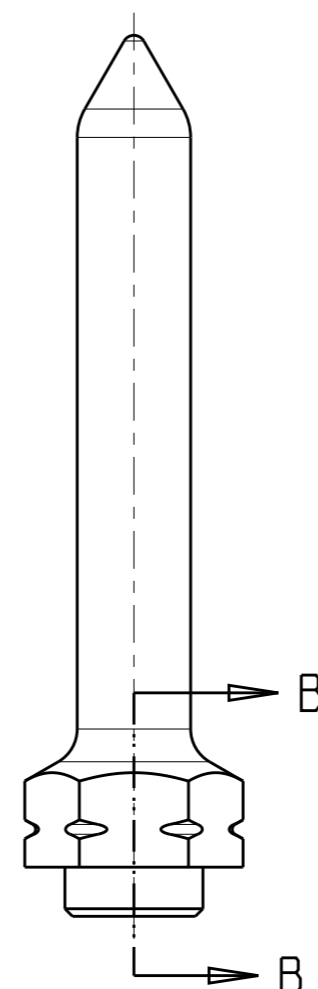
NOTE :

1 RAW MATERIAL : CARBON STEEL

2 FINISH : Cu/Ag C GALVANIC COATED



SECTION B - B
SCALE 5:1



THIS DRAWING IS A CONTROLLED DOCUMENT.

DWN Vabesien 24.10.02

CHK -

APVD -

PRODUCT SPEC -

APPLICATION SPEC -

WEIGHT -

CUSTOMER DRAWING



TE Connectivity

NAME
PRE-MATING PIN
C39228-A297-C11-**-*

SIZE CAGE CODE DRAWING NO RESTRICTED TO

A3 00779 C-1-1393495-0

SCALE 5:1 SHEET 1 OF 1 REV A2

DIMENSIONS:	TOLERANCES UNLESS OTHERWISE SPECIFIED:
mm	
0 PLC	±-
1 PLC	±-
2 PLC	±-
3 PLC	±-
4 PLC	±-
ANGLES	±-
MATERIAL	FINISH
- 1	- 2

单击下面可查看定价，库存，交付和生命周期等信息

[>>TE Connectivity\(泰科\)](#)