

4

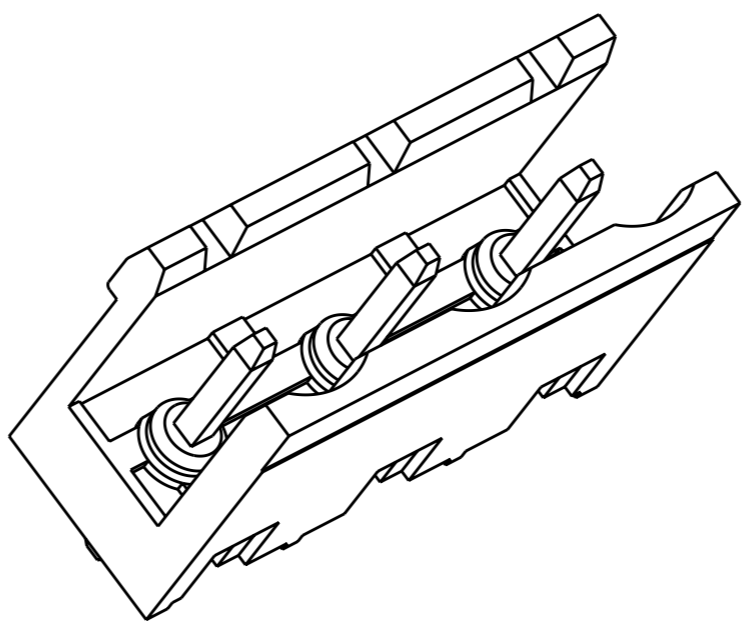
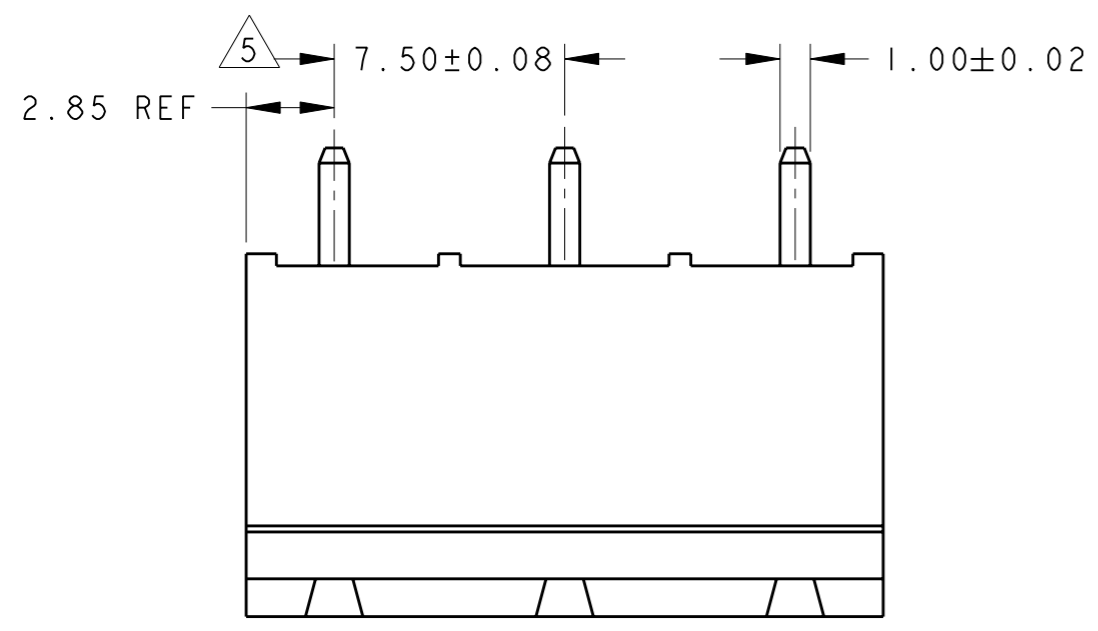
3

2

1

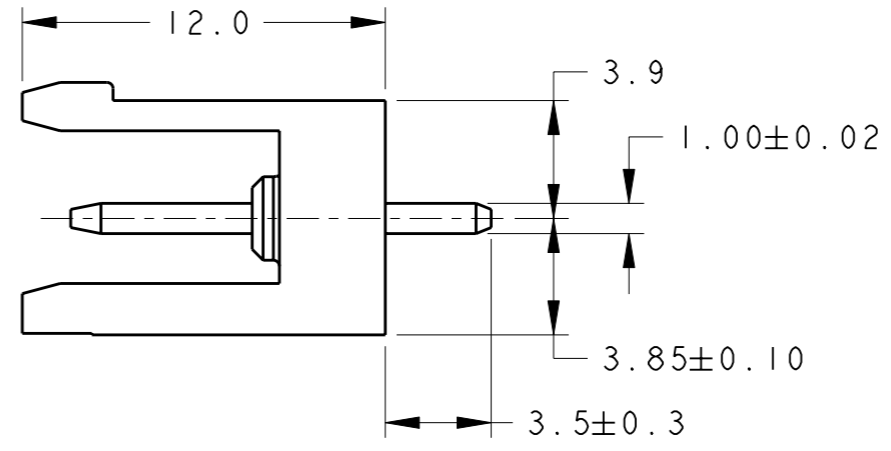
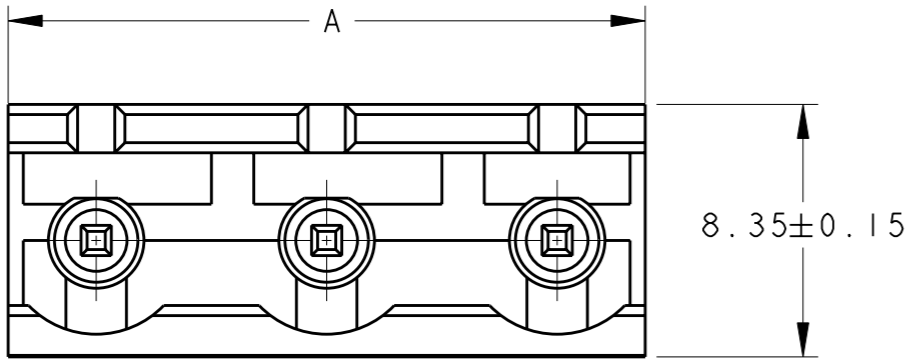
THIS DRAWING IS UNPUBLISHED. RELEASED FOR PUBLICATION 20
 © COPYRIGHT 20 Tyco Electronics AMP GmbH ALL RIGHTS RESERVED.

LOC	DIST	REVISIONS			
P	LTR	DESCRIPTION	DATE	DWN	APVD
FT	0	C1	REVISED PER ECO-12-007964	02MAY2012	KH MS



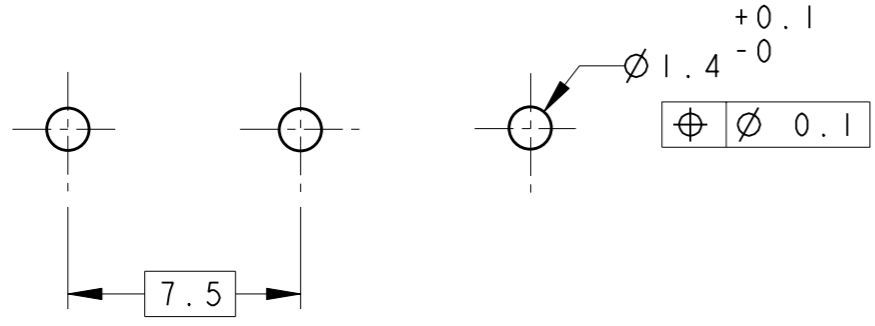
282963-3 AS SHOWN

- 1 MATERIALS AND FINISH
HOUSING: PA 6-6, UL 94-V0, COLOR GREEN.
TERMINAL: COPPER ALLOY, TIN PLATED.
 - 2 SUITABLE FOR 1,6-2,4mm PC BOARD THICKNESS.
 - 3 RECOGNIZED UNDER THE COMPONENT PROGRAM OF UNDERWRITERS LABORATORIES INC. FILE N° E60677.
 - 4 IMQ CERTIFICATE WITH SURVEILLANCE IN CONFORMITY WITH IEC 998-1/998-2-1.
- 5 NOT CUMULATIVE TOLERANCE.



88.20	12	1-282963-2
80.70	11	1-282963-1
73.20	10	1-282963-0
65.70	9	282963-9
58.20	8	282963-8
50.70	7	282963-7
43.20	6	282963-6
35.70	5	282963-5
28.20	4	282963-4
20.70	3	282963-3
13.20	2	282963-2
DIM. A	N° OF POS.	PART NUMBER

RECOMMENDED PC BOARD LAYOUT



THIS DRAWING IS A CONTROLLED DOCUMENT.		DWN E. ZANOLINI 15NOV2001	TE Connectivity	
DIMENSIONS: mm		CHK D. BIEVENOUR 15NOV2001		
TOLERANCES UNLESS OTHERWISE SPECIFIED:		APVD D. BIEVENOUR 15NOV2001	NAME	
0 PLC ±		PRODUCT SPEC	TERMINAL BLOCK HEADER ASSEMBLY	
1 PLC ±.3		108-20166	90 DEGREE OPEN ENDS	
2 PLC ±.25		APPLICATION SPEC	7.5mm PITCH	
3 PLC ±		114-20079	SIZE	CAGE CODE
4 PLC ±		WEIGHT	A3	00779
ANGLES ±			DRAWING NO	C-282963
FINISH			RESTRICTED TO	-
MATERIAL			SCALE	4:1
FINISH			SHEET	1
		CUSTOMER DRAWING	OF	1
			REV	C1

单击下面可查看定价，库存，交付和生命周期等信息

[>>TE Connectivity\(泰科\)](#)