

THIS DRAWING IS UNPUBLISHED.

RELEASED FOR PUBLICATION

20

LOC FT

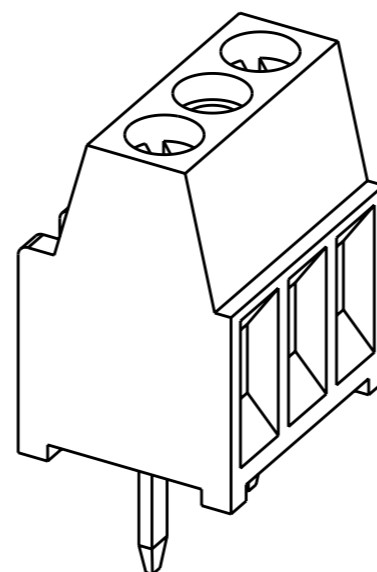
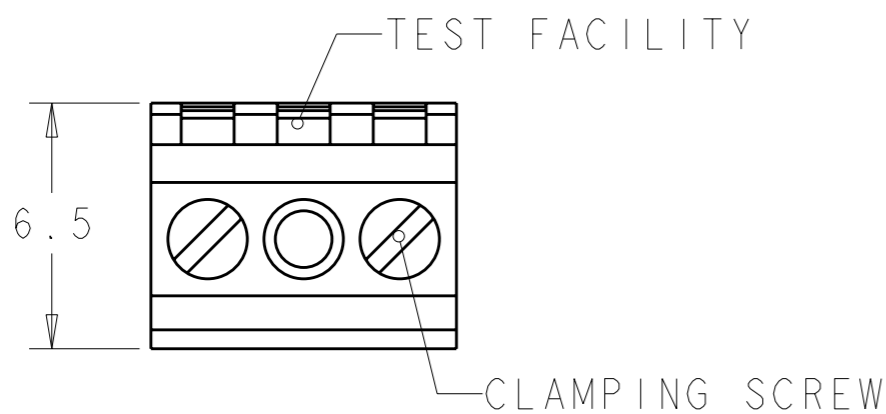
DIST 0

REVISIONS

© COPYRIGHT 20

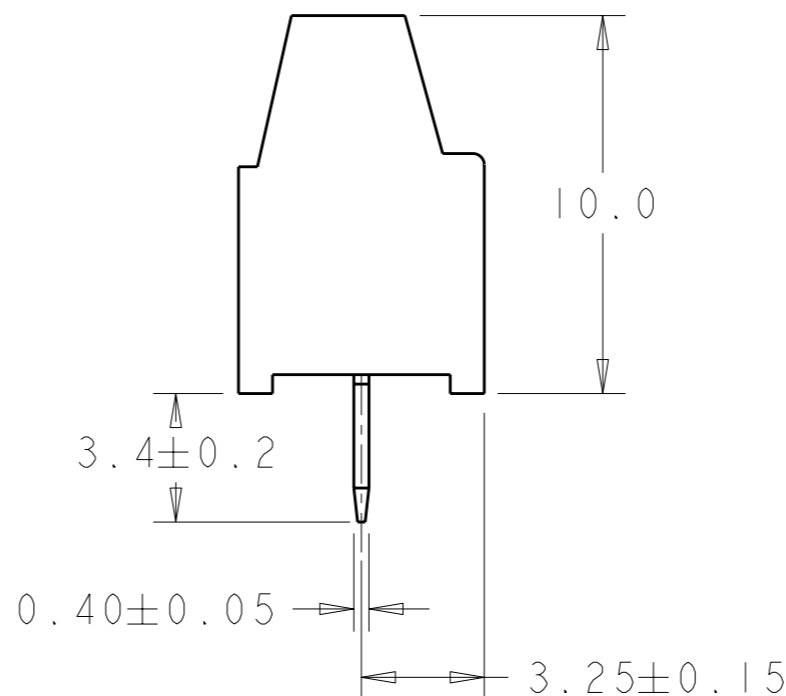
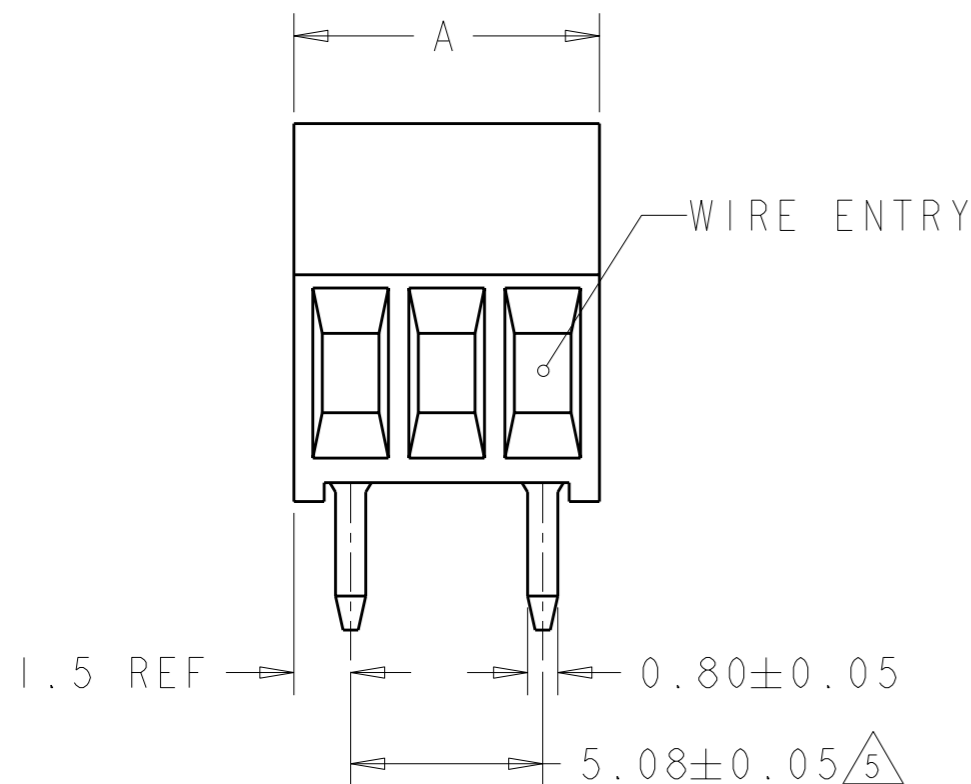
ALL RIGHTS RESERVED.

P	LTR	DESCRIPTION	DATE	DWN	APVD
	CI	REVISED PER ECO-11-007905	15APR2011	HMR	CR



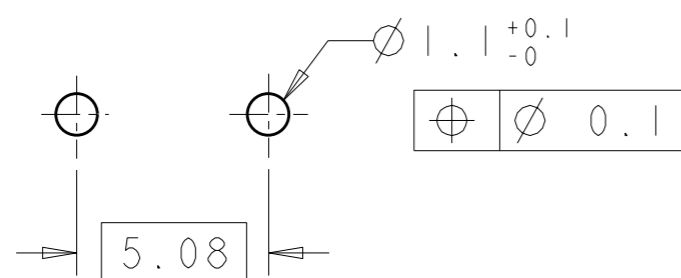
282835-2 AS SHOWN

- 1 MATERIALS AND FINISH  
HOUSING: PA 6-6, UL 94-V0, COLOR GREEN.  
CLAMP: BRASS, NICKEL PLATED.  
TERMINAL: BRASS, TIN PLATED.  
CLAMPING SCREW: M1.6, STAINLESS STEEL.
- 2 SUITABLE FOR 1,6-2,4mm PC BOARD THICKNESS.
- 3 CONNECTION POWER  
SOLID WIRE: 0,03-1mm<sup>2</sup> (17AWG).  
STRANDED WIRE: 0,03-0,75mm<sup>2</sup> (18AWG).
- 4 RECOGNIZED UNDER THE COMPONENT PROGRAM OF UNDERWRITERS LABORATORIES INC. FILE N° E60677.
- 5 NOT CUMULATIVE TOLERANCE.
- 6 TORQUE: 1.73 in-lbs MAX



28.40	6	282835-6
23.32	5	282835-5
18.24	4	282835-4
13.16	3	282835-3
8.08	2	282835-2
DIM. A	N° OF POS.	PART NUMBER

RECOMMENDED PC BOARD LAYOUT



THIS DRAWING IS A CONTROLLED DOCUMENT.		DWN E. ZANOLINI 15AUG2001		<b>STE</b> TE Connectivity	
DIMENSIONS: mm		CHK D. BIEVENOUR 15AUG2001			
TOLERANCES UNLESS OTHERWISE SPECIFIED:		APVD D. BIEVENOUR 15AUG2001		NAME	
0 PLC ±-		PRODUCT SPEC		TERMINAL BLOCK PCB MOUNT	
1 PLC ±.3		108-20166		SIDE ENTRY WIRE	
2 PLC ±.25		APPLICATION SPEC		5.08mm PITCH	
3 PLC ±-		114-20079		SIZE	
4 PLC ±-		WEIGHT -		CAGE CODE	
ANGLES ±2		CUSTOMER DRAWING		DRAWING NO	
MATERIAL		FINISH		RESTRICTED TO	
1		1		A300779	
				C-282835	
				SCALE 5:1	
				SHEET 1 OF 1	
				REV CI	

单击下面可查看定价，库存，交付和生命周期等信息

[>>TE Connectivity\(泰科\)](#)