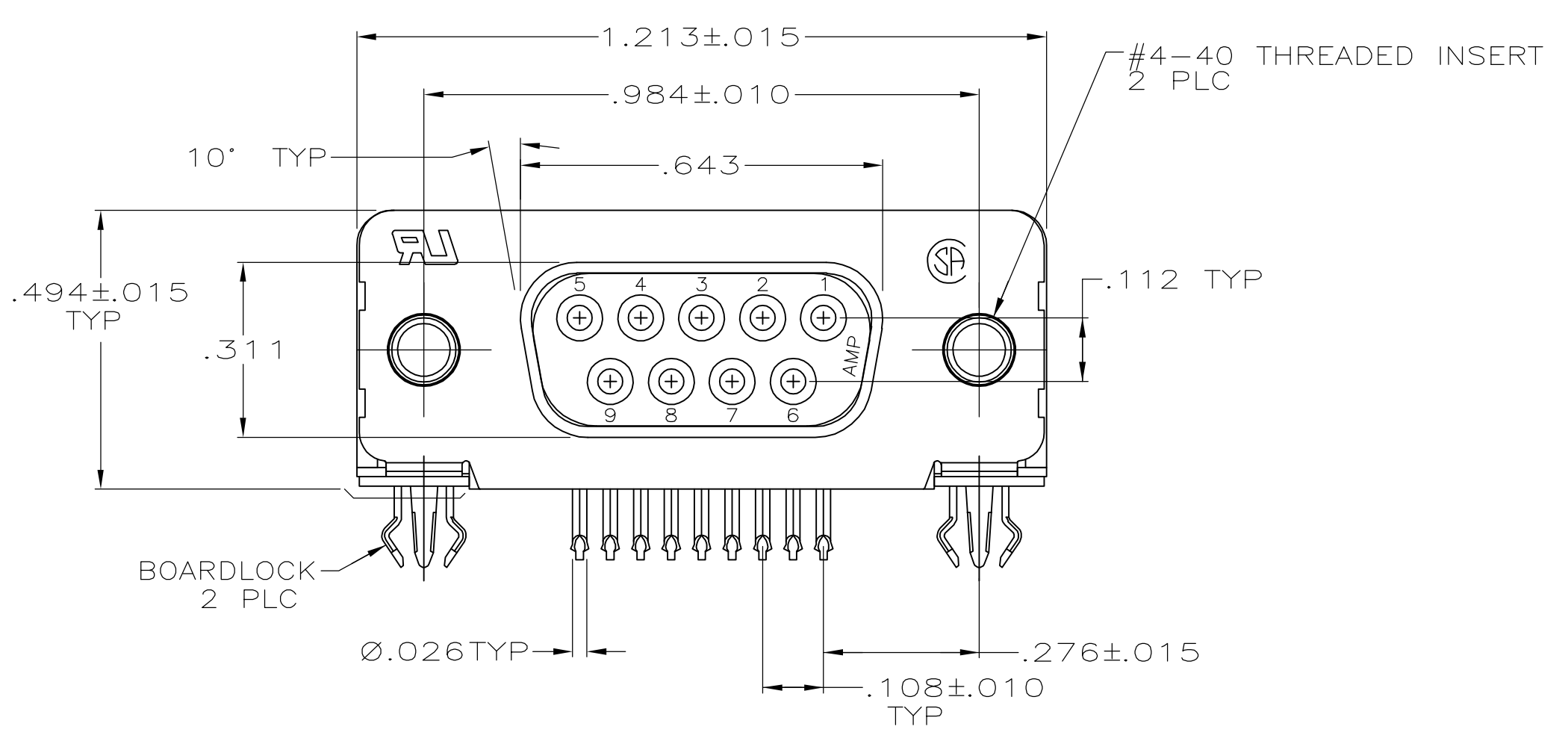
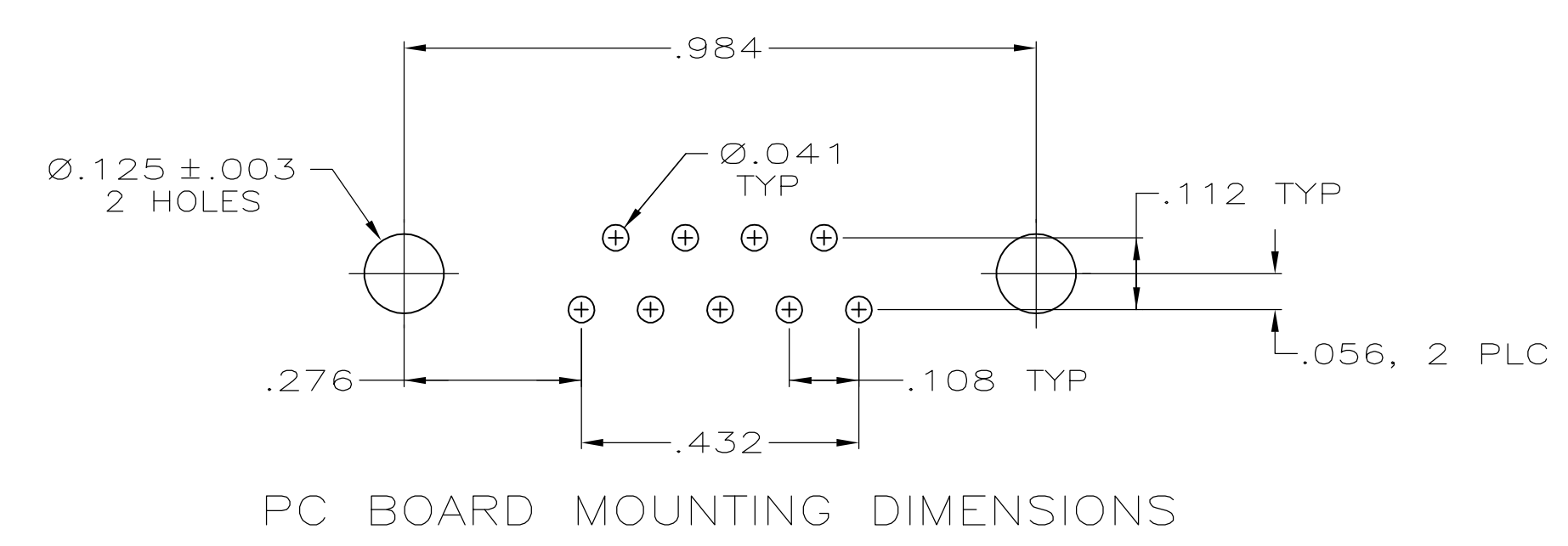
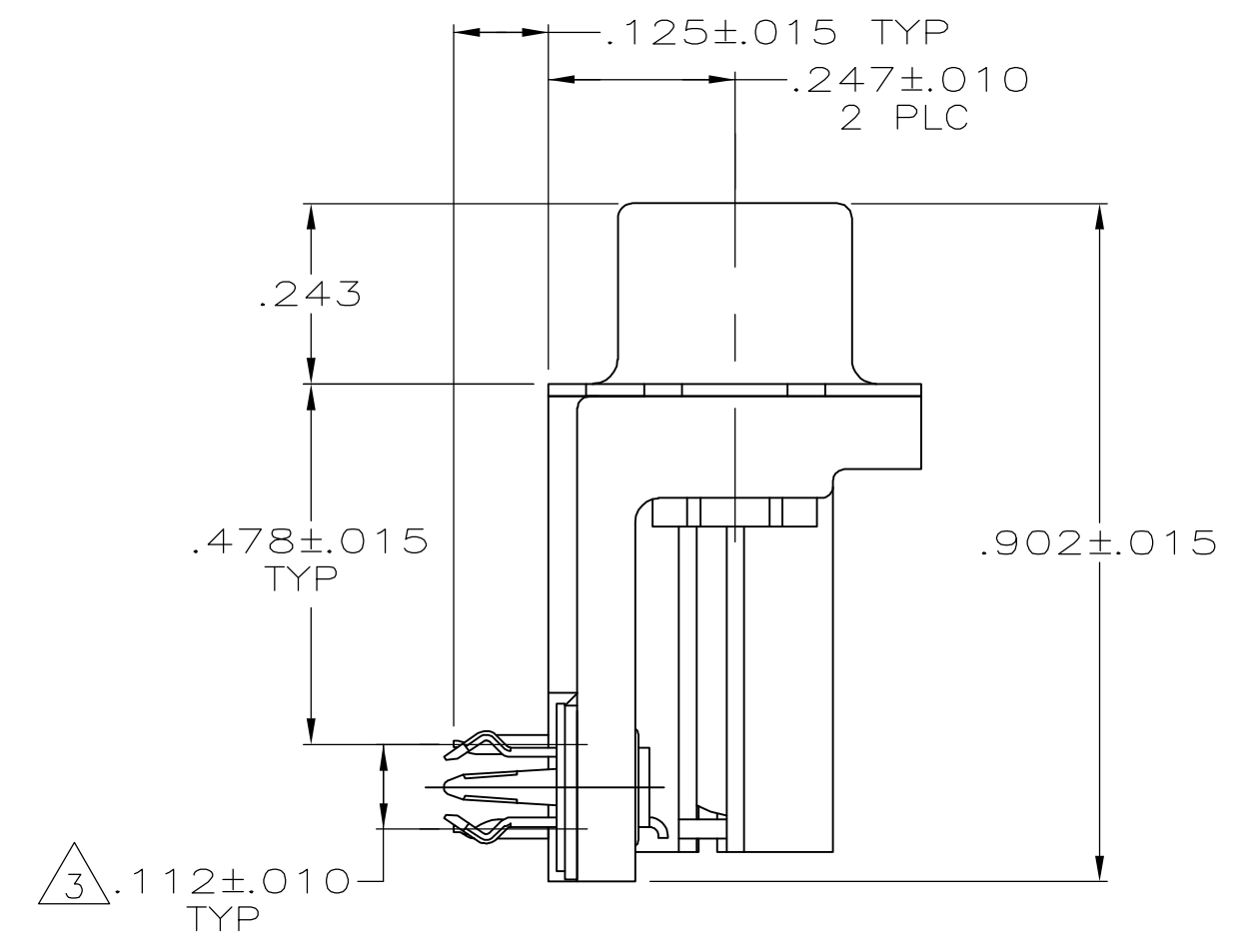
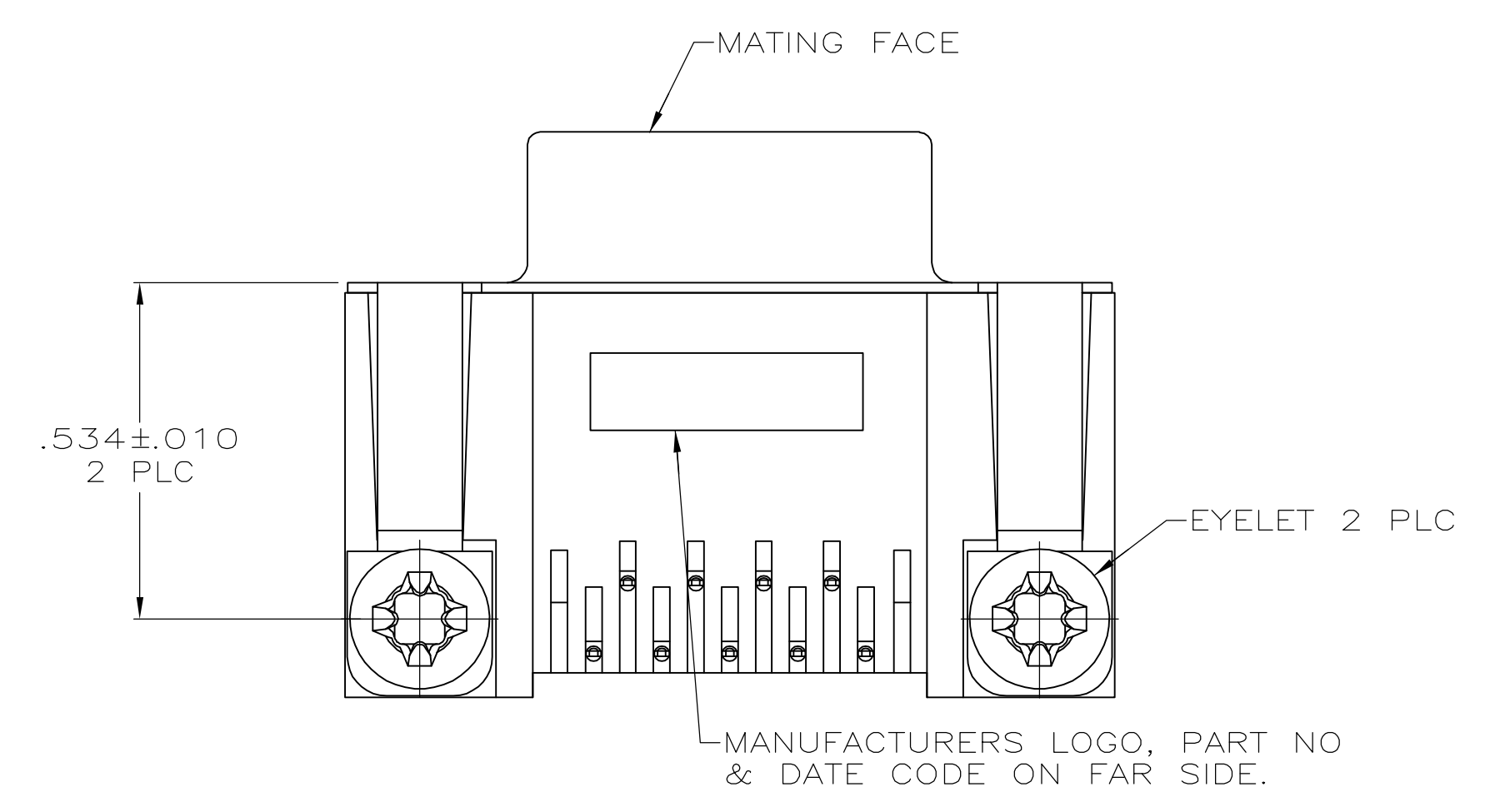


LOC		DIST		REVISIONS			
P	LTR	DESCRIPTION	DATE	DWN	APVD		
0		RELEASED PER EC 0513-0016-05	04-07-05	LV	JG		



- 1 MOLDED PARTS: FLAME RETARDANT 94V-0 RATED THERMOPLASTIC, BLACK.  
SHELL: CARBON STEEL  
CONTACTS: PHOSPHOR BRONZE  
EYELETS: BRASS  
INSERTS: ZINC  
BOARDLOCKS: COPPER ALLOY
- 2 SHELL: .000100 MIN TIN OVER .000050 MIN COPPER.  
CONTACTS: .000030 MIN GOLD FOR A DISTANCE OF .100 MIN FROM MATING END, .000100 MIN TIN ON TERMINATION END, ALL OVER .000050 MIN NICKEL ON ENTIRE CONTACT.  
EYELETS: .000100 MIN TIN OVER COPPER FLASH.  
BOARDLOCKS: .000150 MIN TIN OVER .000050 MIN NICKEL.  
INSERTS: CLEAR CHROMATE
- 3 DIMENSION APPLIES TO CENTER LINE OF CONTACTS.



5747852-4  
PART NUMBER

**COPYRIGHT 2005  
TYCO ELECTRONICS CORP  
ALL RIGHTS RESERVED**

THIS DRAWING IS A CONTROLLED DOCUMENT.		DWN: L. VARELA - 04-07-05	Tyco Electronics Corporation Harrisburg, PA 17105-3608	
DIMENSIONS: INCHES		CHK: S. BOLASH - 04-07-05	RECEPTACLE ASSEMBLY, SIZE 1, RIGHT ANGLE, .478 SERIES, FRONT METAL SHELL, .026 DIA POSTS, BOARDLOCKS, AMPLIMITE HD-20	
TOLERANCES UNLESS OTHERWISE SPECIFIED:		APVD: M. WALMSLEY - 04-07-05	NAME: 108-40025	
0 PLC ± -		PRODUCT SPEC	APPLICATION SPEC	
1 PLC ± -		APPLICATION SPEC	114-40010	
2 PLC ± -		SIZE	A1	
3 PLC ± .005		CAGE CODE	00779	
4 PLC ± -		DRAWING NO	5747852	
ANGLES ± -		WEIGHT	-	
FINISH		CUSTOMER DRAWING	SCALE: 4:1 SHEET 1 OF 1 REV 0	

单击下面可查看定价，库存，交付和生命周期等信息

[>>TE Connectivity\(泰科\)](#)