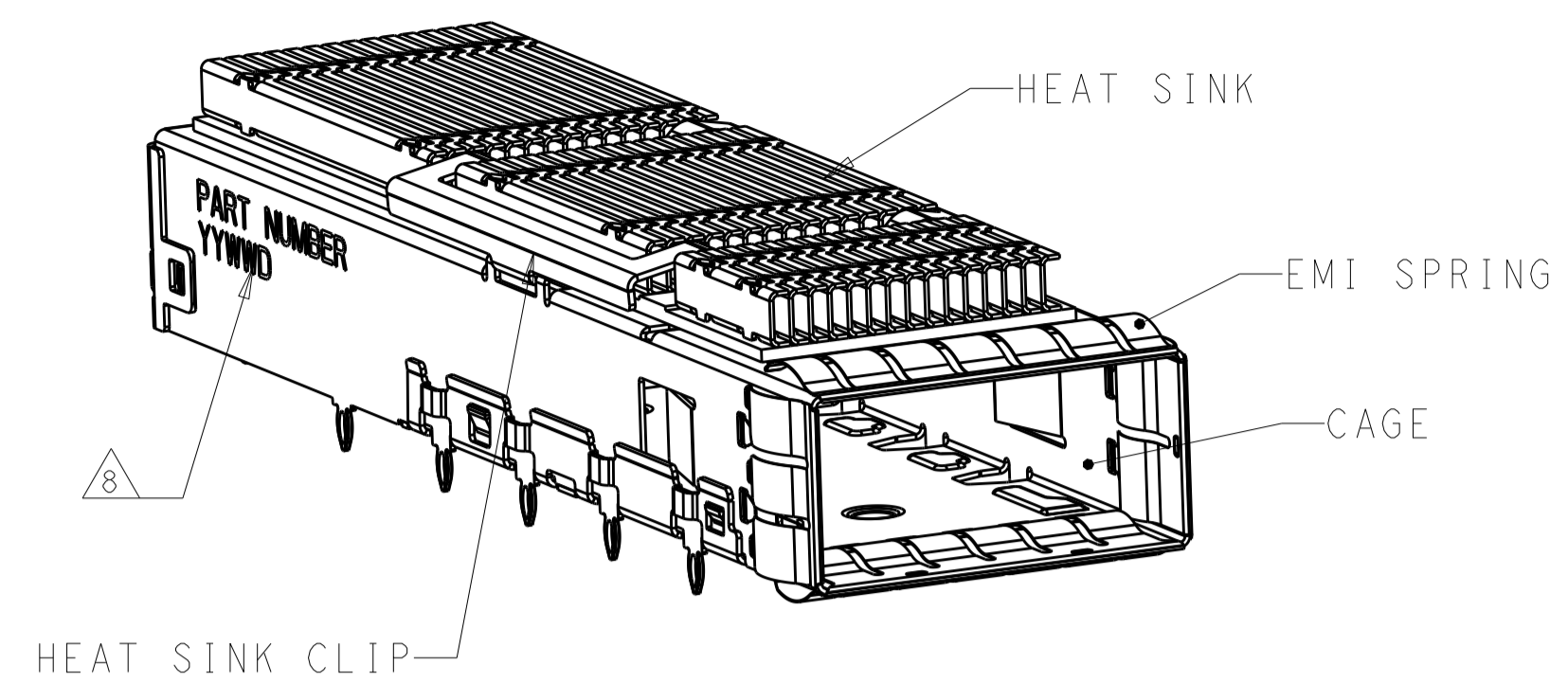
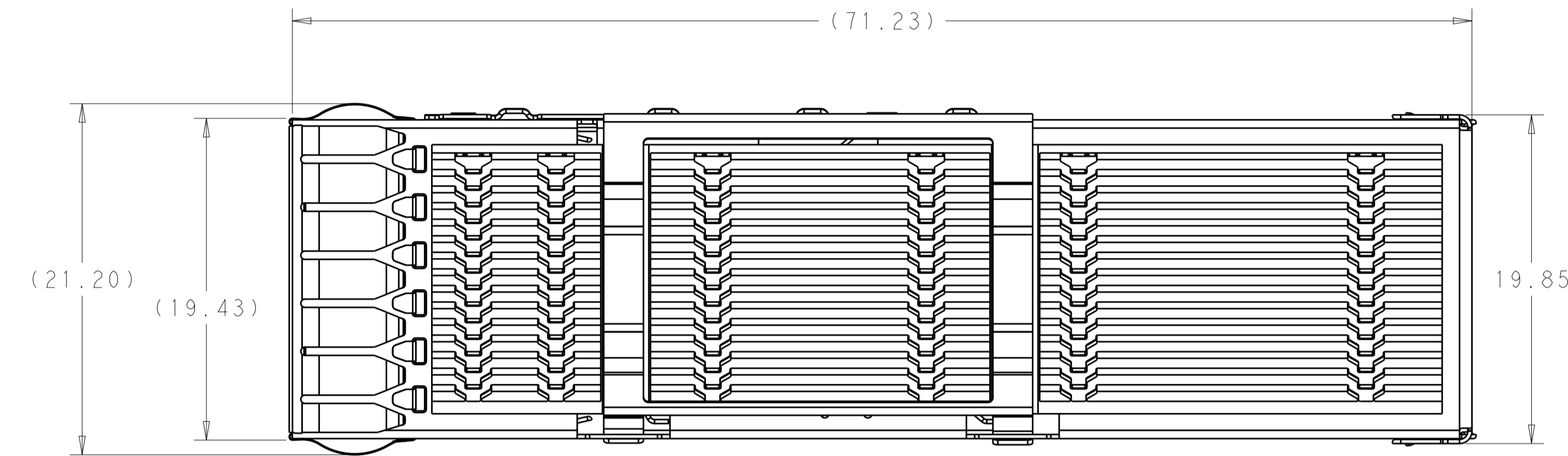


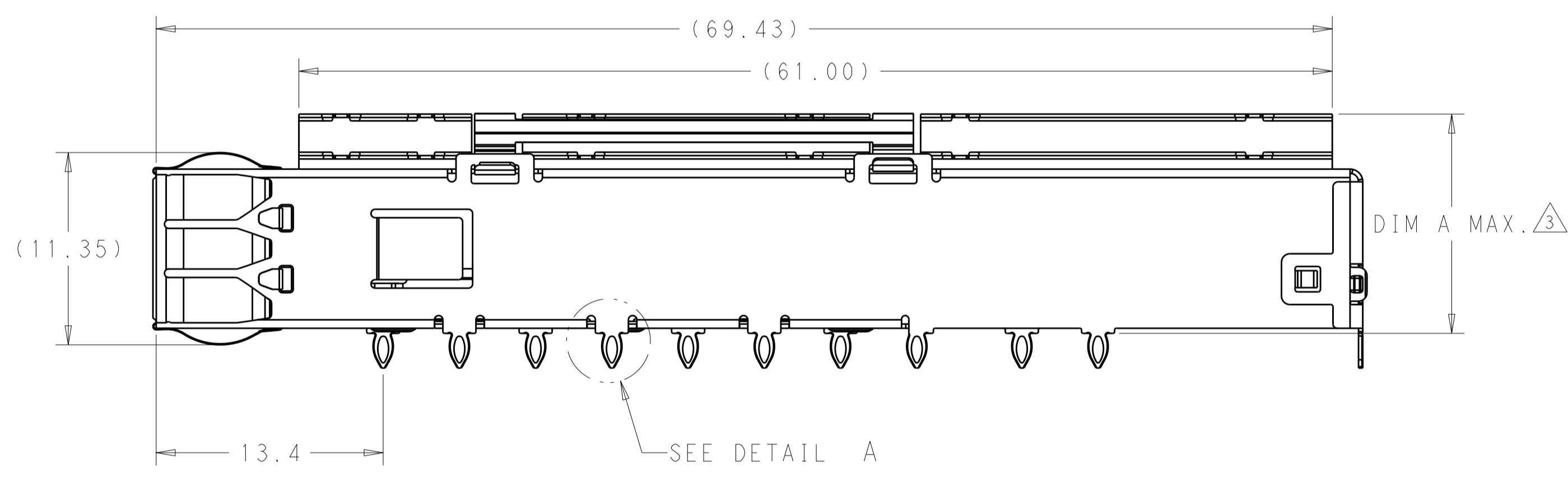
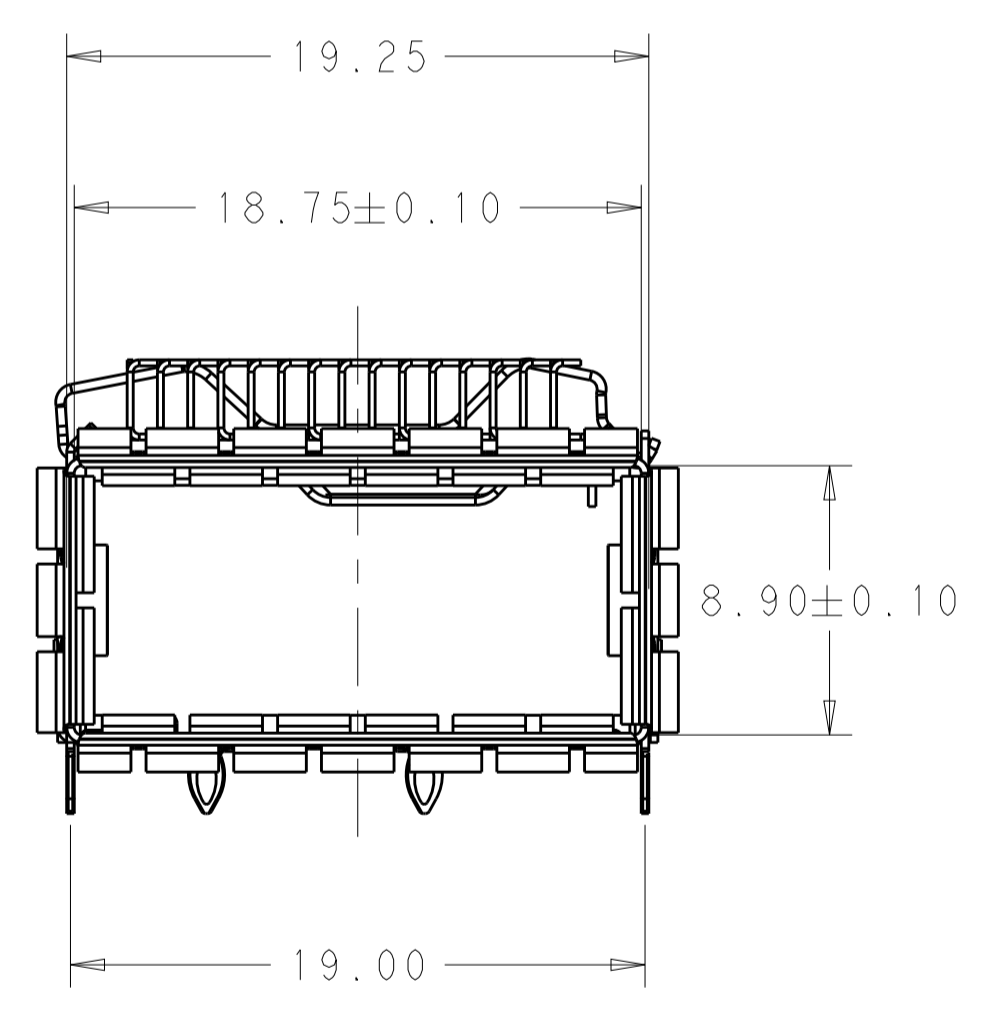
LOC	DIST	REV	DESCRIPTION	DATE	OWN	APPD
-	-	A	INITIAL RELEASE	14JUN2019	AJ	SH
-	-	B	REVISED PER ECO-19-012481	07AUG2019	AJ	SH



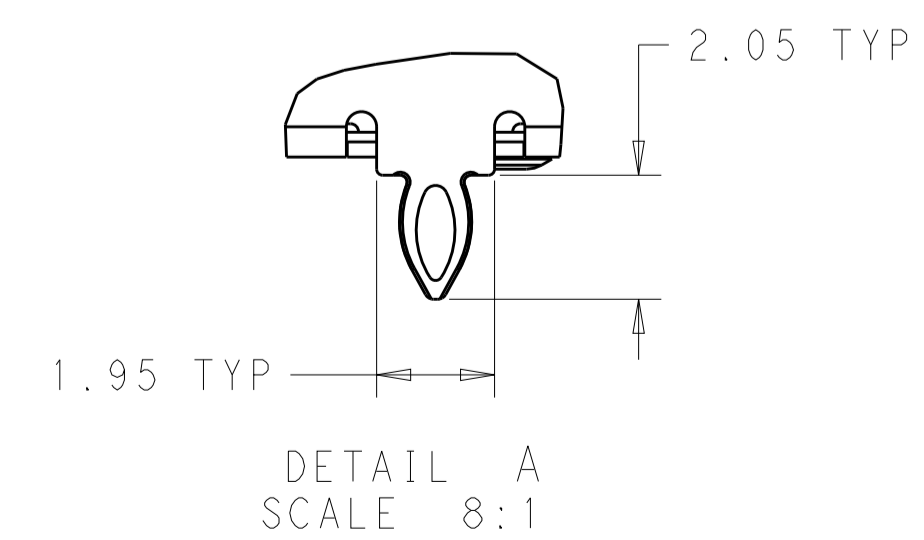
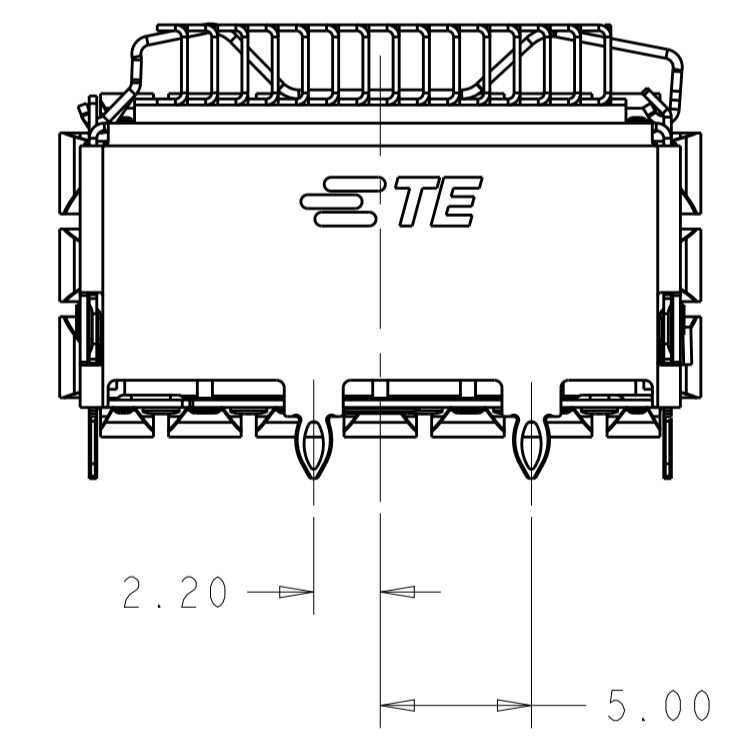
2342934-1 AS SHOWN  
SCALE 3:1



- MATERIAL:  
CAGE MATERIAL : 0.25 THICK STAINLESS STEEL.  
SPRING MATERIAL: COPPER ALLOY  
CLIP MATERIAL: STAINLESS STEEL  
HEAT SINK: ALUMINUM
- FINISH:  
SPRING: NICKEL PLATING  
HEAT SINK: NICKEL PLATING
- DIMENSION APPLIES WITH MODULE INSTALLED IN THE CAGE TO TOP OF HEAT SINK.
- REFERENCE APPLICATION SPEC 114-60025 FOR RECOMMENDED DRILL HOLE DIAMETER AND PLATING THICKNESS.
- DATUM AND BASIC DIMENSIONS ESTABLISHED BY CUSTOMERS.
- MINIMUM PC BOARD THICKNESS : SINGLES SIDED: 1.57 MIN  
DOUBLE SIDED: 3.00 MIN
- DATUM **-A-** IS TOP SURFACE OF THE HOST BOARD.
- DATE CODE (YYWWD) MARKED APPROXIMATELY AS SHOWN
- MATES WITH QSFP DD MSA COMPATIBLE TRANSCEIVER.



2342934-1 AS SHOWN  
SCALE 4:1



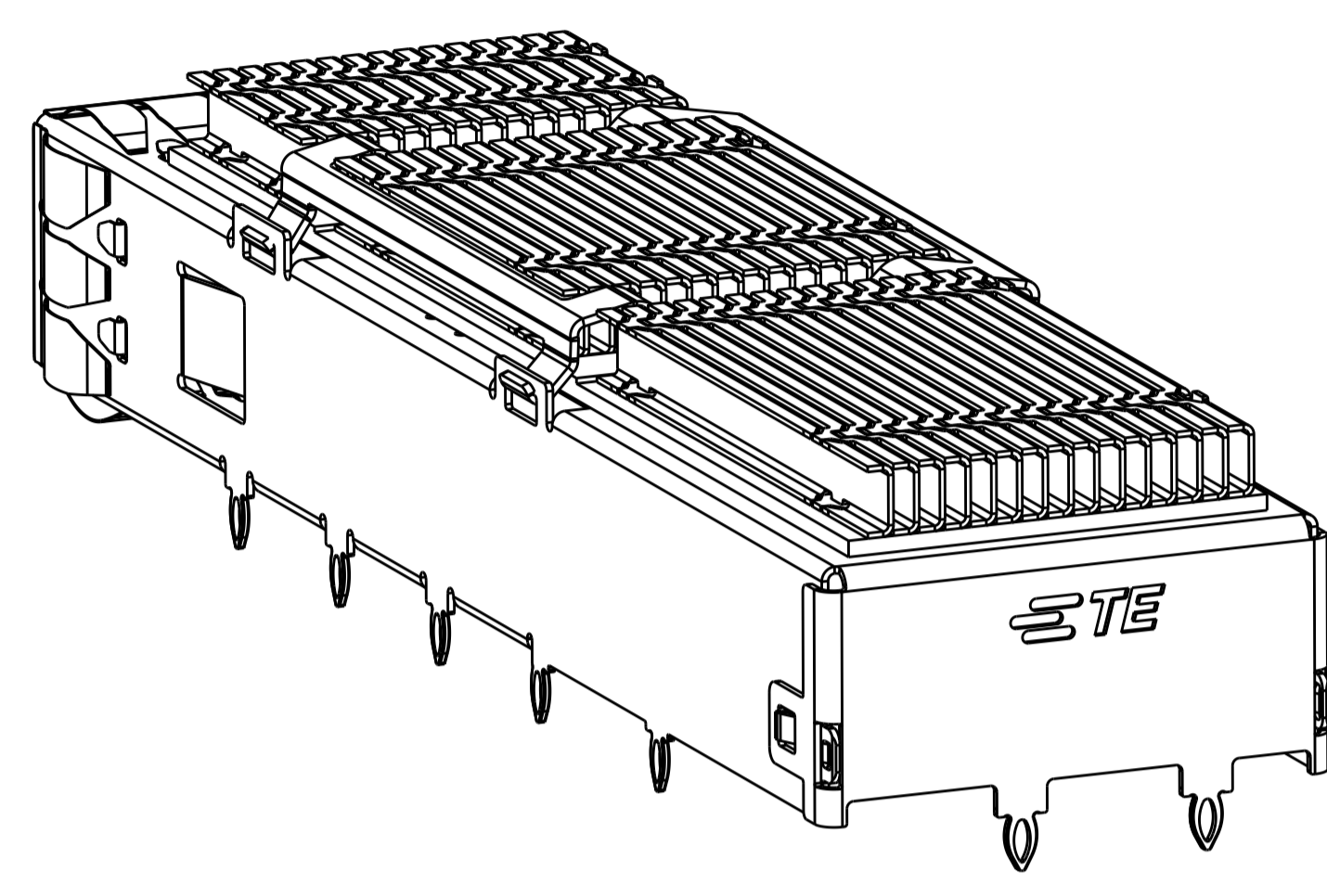
DETAIL A  
SCALE 8:1

23.00	0	NETWORKING	1-2342934-3
16.00	0	SAN	1-2342934-2
13.70	0	PCI	1-2342934-1
23.00	2	NETWORKING	2342934-3
16.00	2	SAN	2342934-2
13.70	2	PCI	2342934-1
DIM A	# REAR PINS	APPLICATION (HEAT SINK OPTION)	PART NUMBER

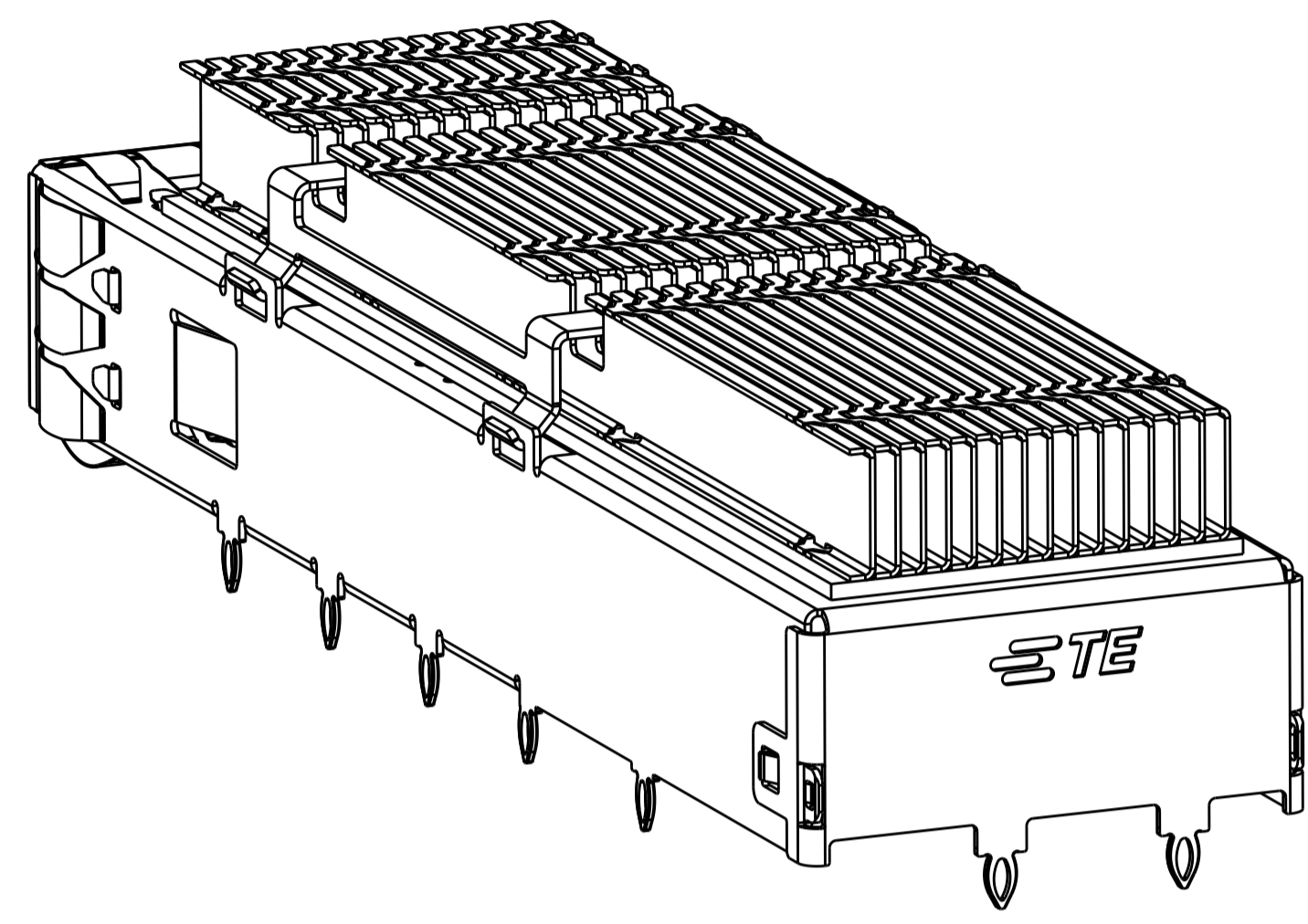
THIS DRAWING IS A CONTROLLED DOCUMENT.		OWN: ARTHUR JIN 30AUG2018	TE Connectivity	
DIMENSIONS: mm		CHK: SEAN HAN 29AUG2018		
TOLERANCES UNLESS OTHERWISE SPECIFIED:		APPD: SEAN HAN 30AUG2018	NAME: CAGE ASSEMBLY, QSFP-DD STANDARD WITH EMI SPRING FINGER ZIPPER FIN HEAT SINK	
0 PLC ±0.25		PRODUCT SPEC: 108-60122	SIZE: A1	
1 PLC ±0.25		APPLICATION SPEC: 114-60025	CAGE CODE: C=2342934	
2 PLC ±0.20		WEIGHT: -	RESTRICTED TO: -	
3 PLC ±0.10		CUSTOMER DRAWING	SCALE: 2:1 SHEET 1 OF 5 REV B	
4 PLC ±				
ANGLES ±				
FINISH: -				



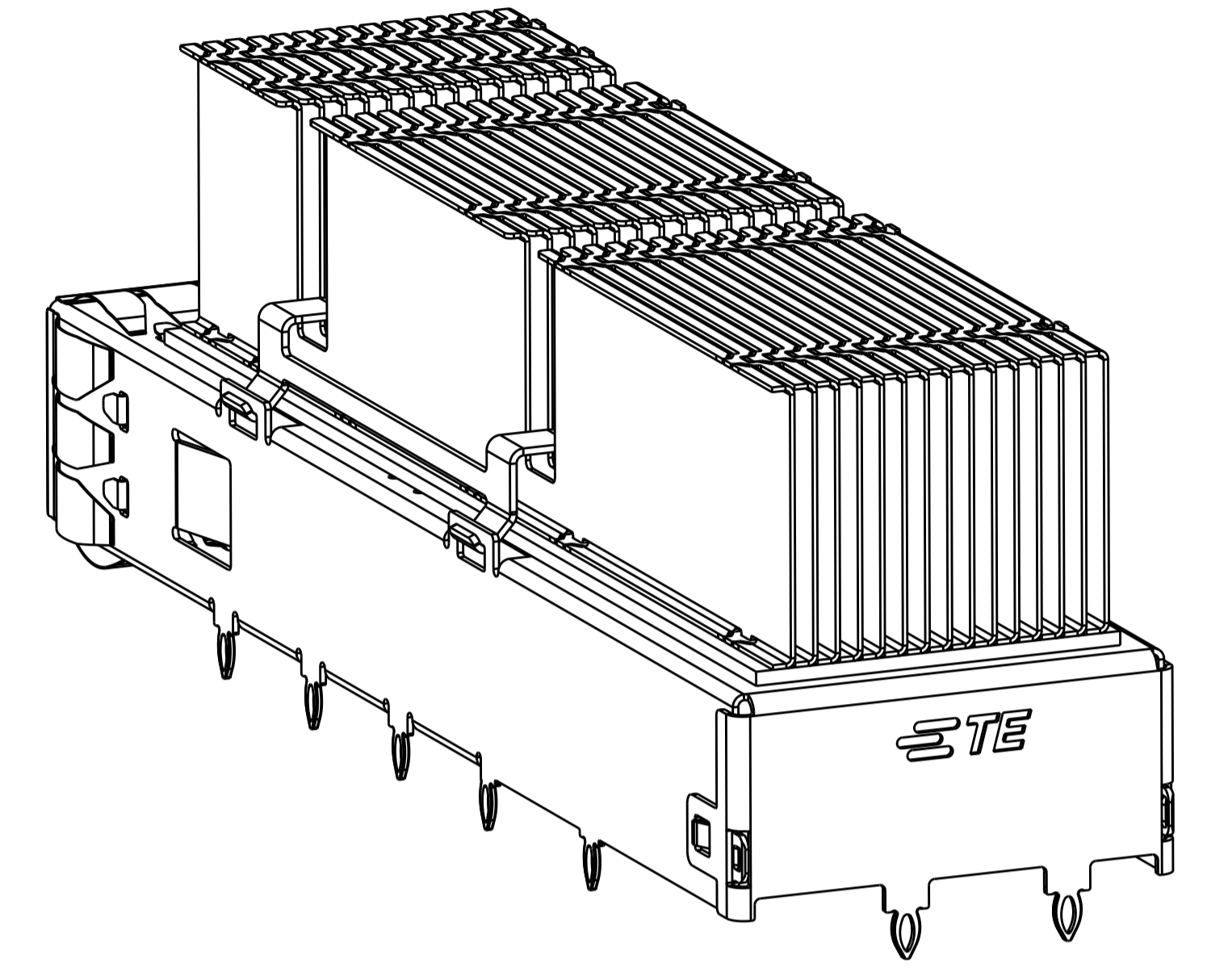
LOC		DIST		REVISIONS			
				REV	DATE	BY	APPV
-	-	-	-	-	-	-	-
-	-	-	-	-	SEE SHEET 1	-	-



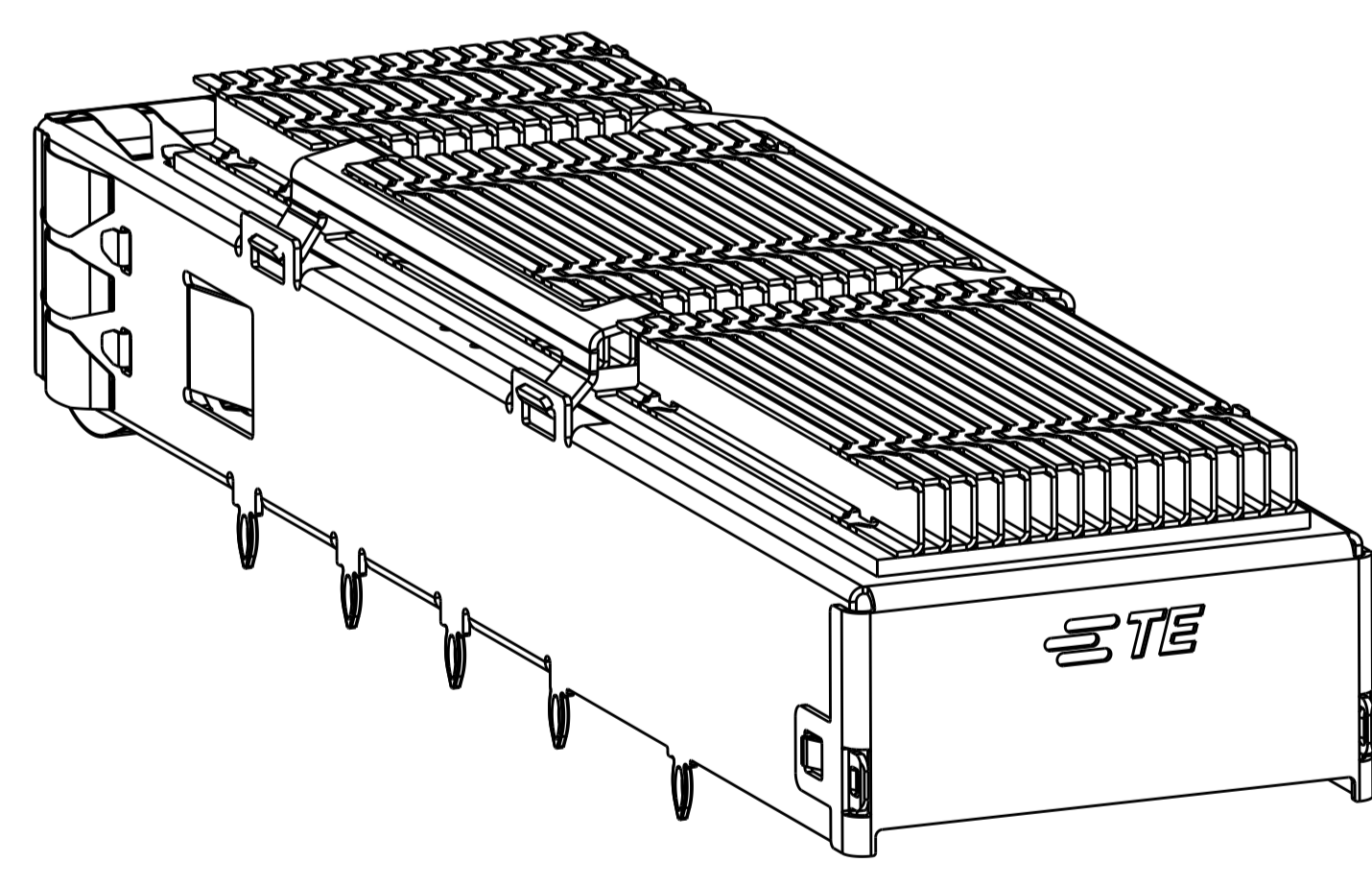
2342934-1 AS SHOWN  
 WITH PCI HEAT SINK  
 SCALE 4:1



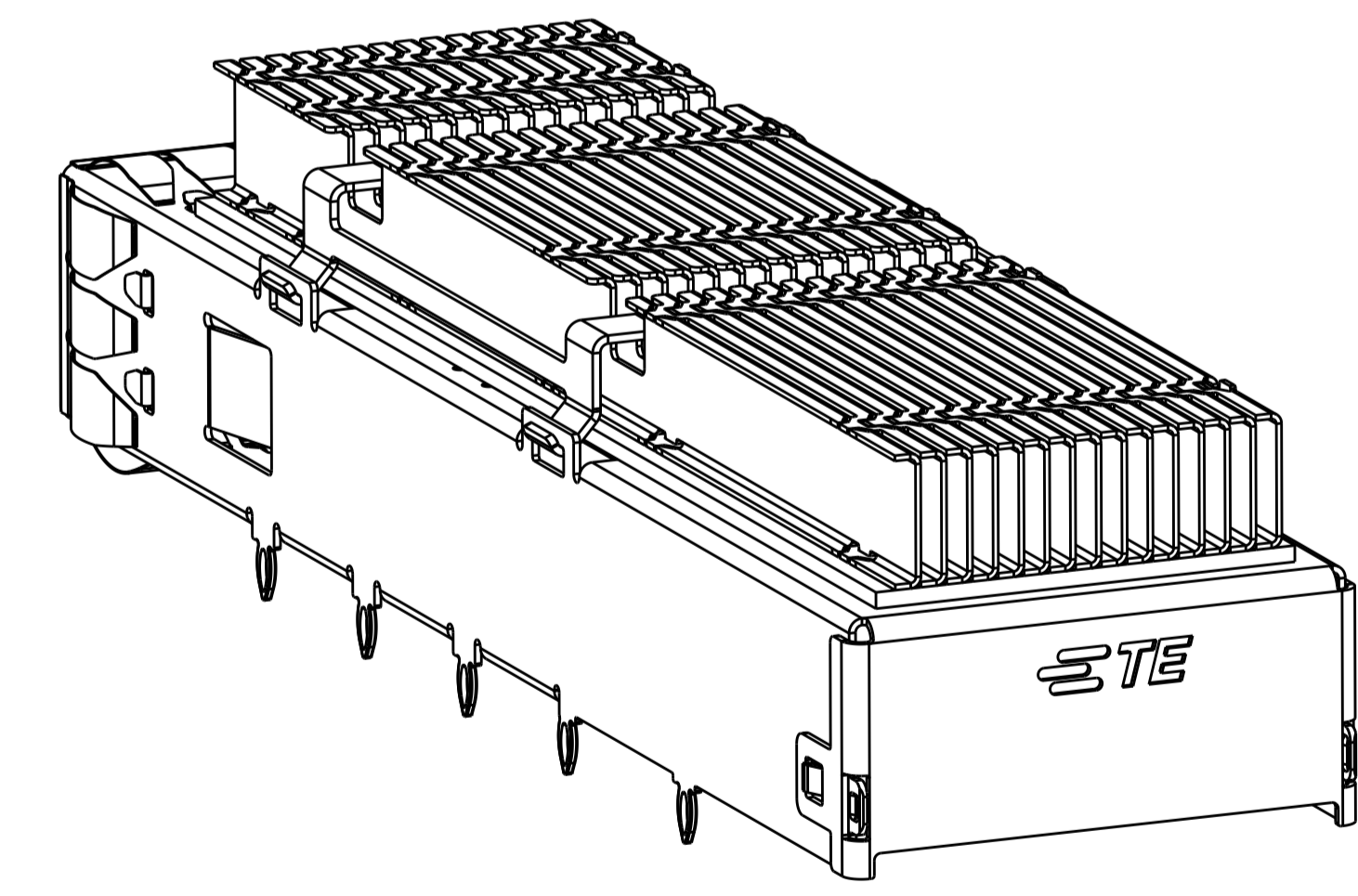
2342934-2 AS SHOWN  
 WITH SAN HEAT SINK  
 SCALE 4:1



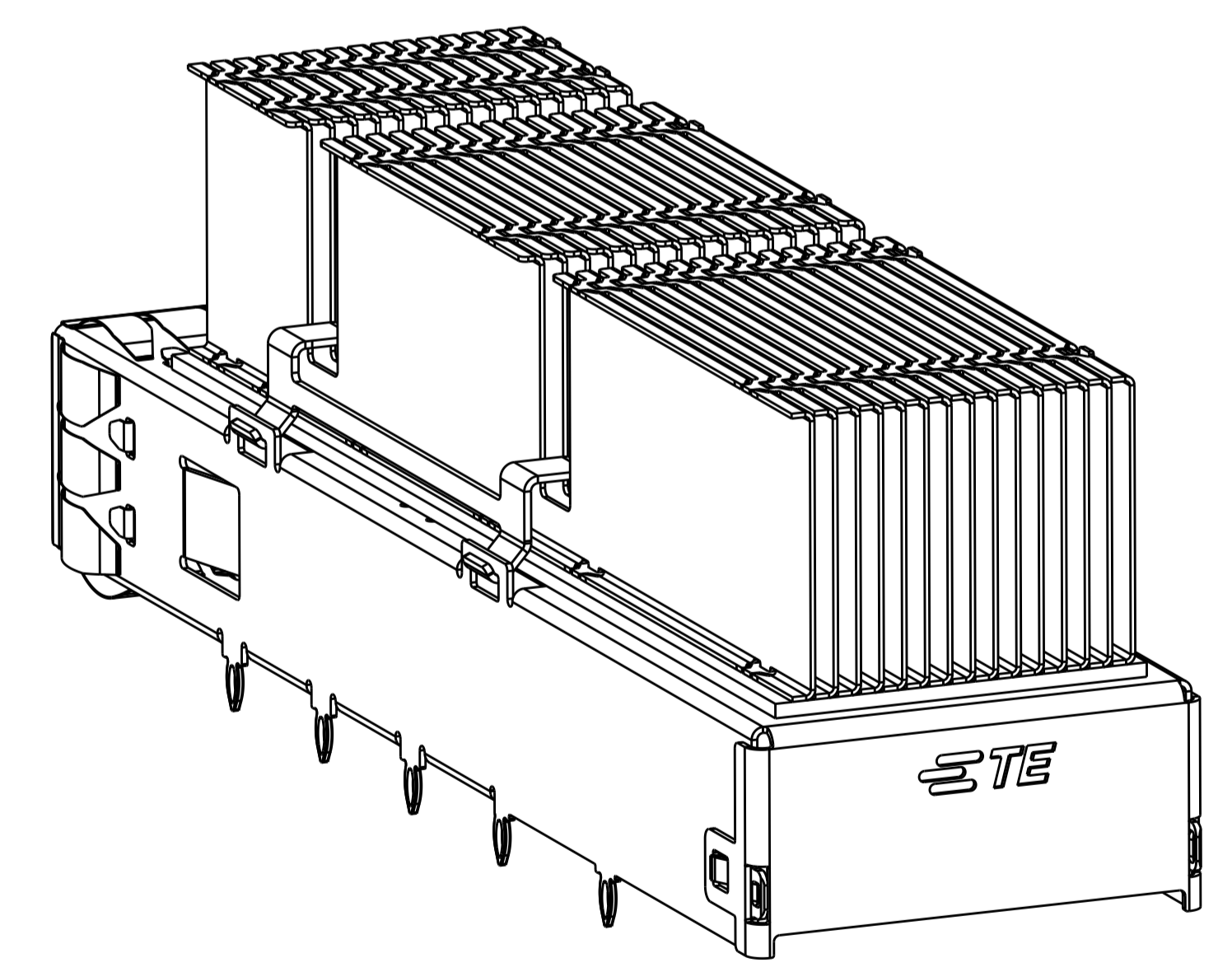
2342934-3 AS SHOWN  
 WITH NETWORKING HEAT SINK  
 SCALE 4:1



1-2342934-1 AS SHOWN  
 SAME AS -1 EXCEPT W/O REAR PINS  
 SCALE 4:1



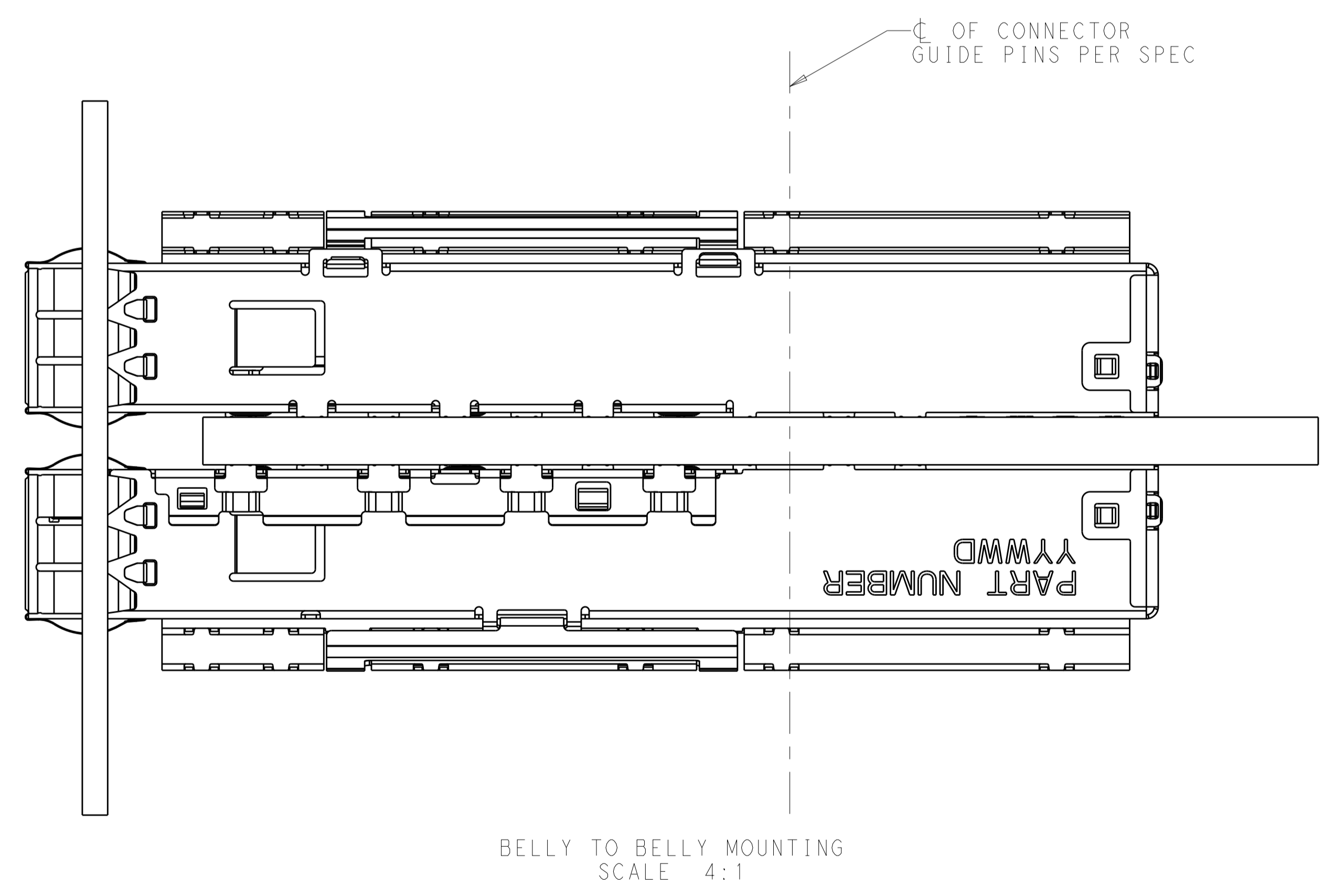
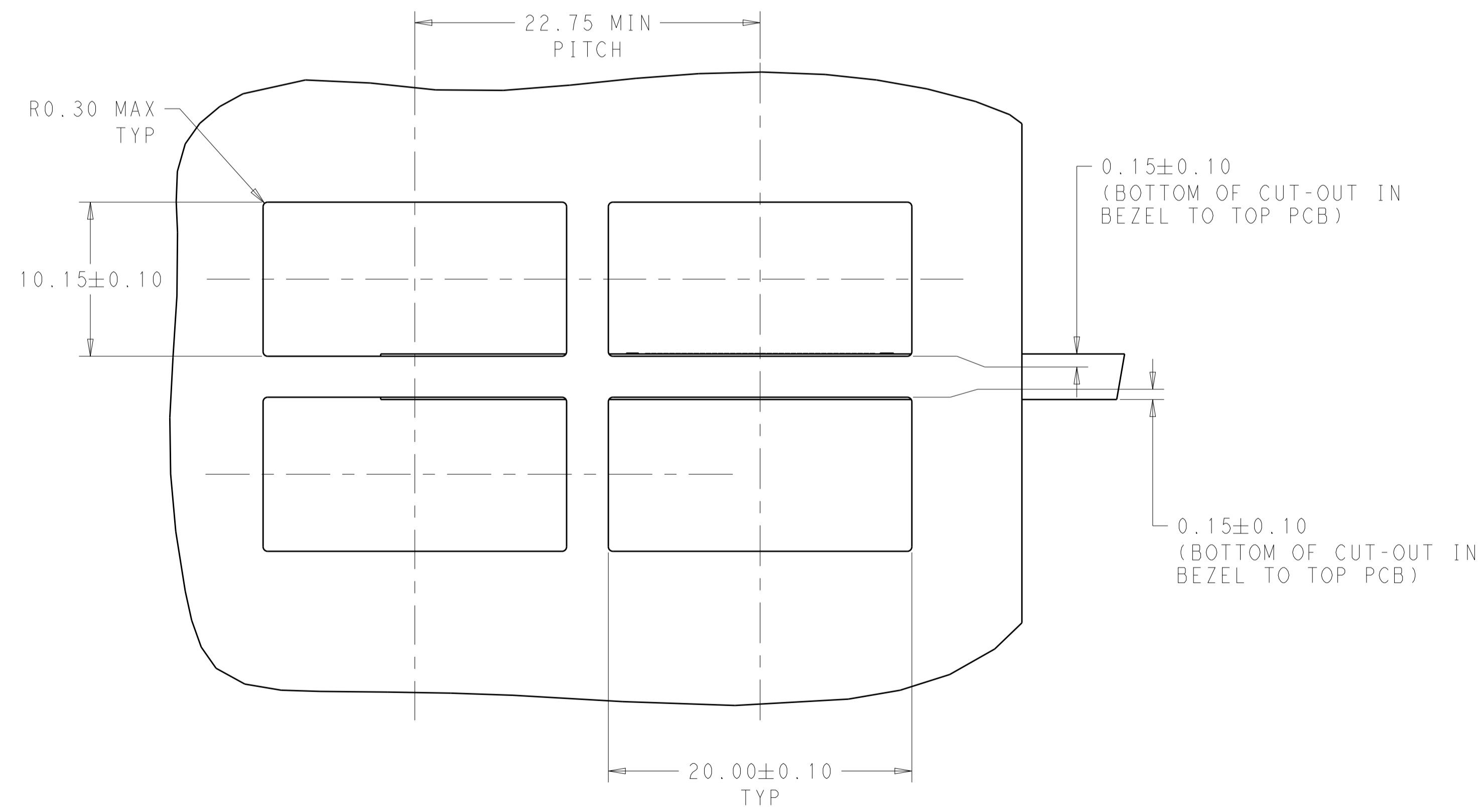
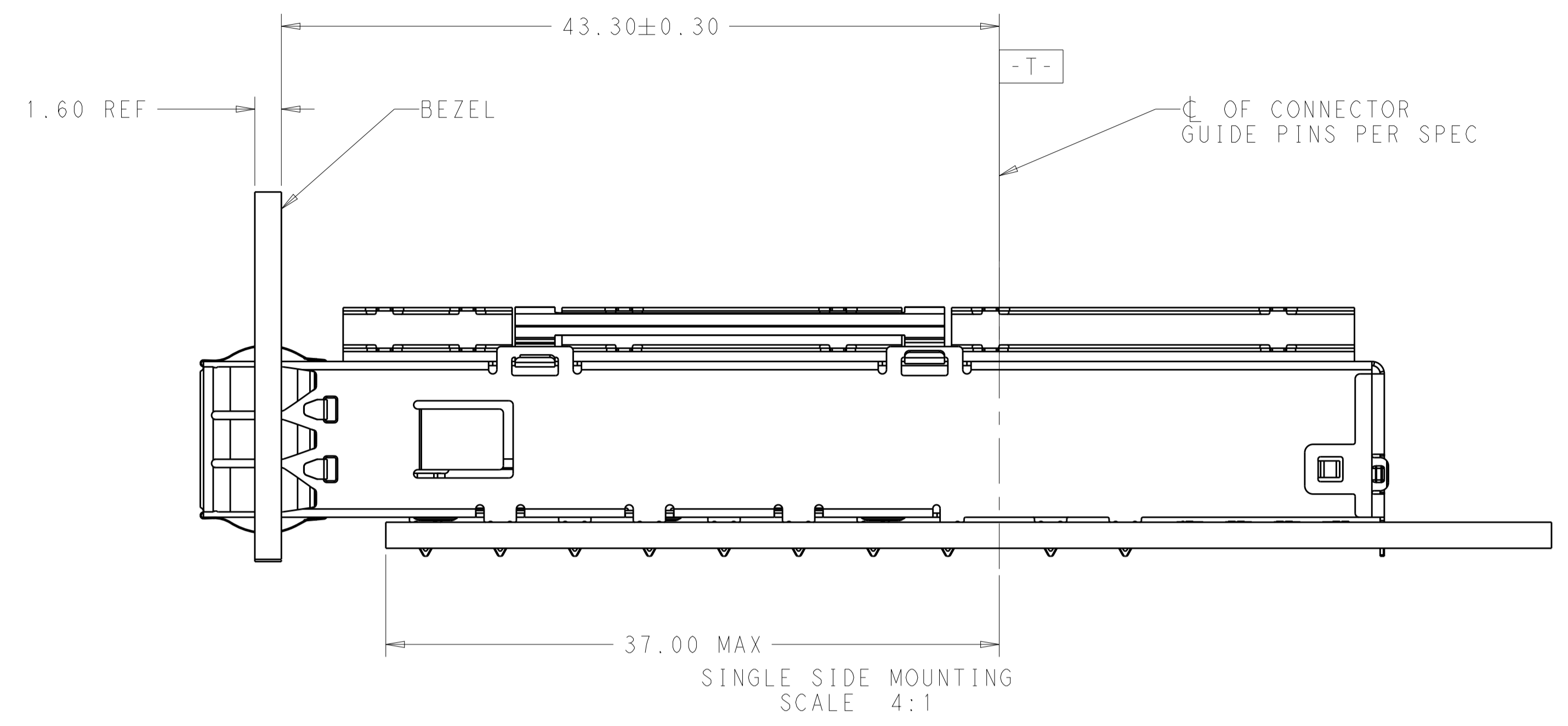
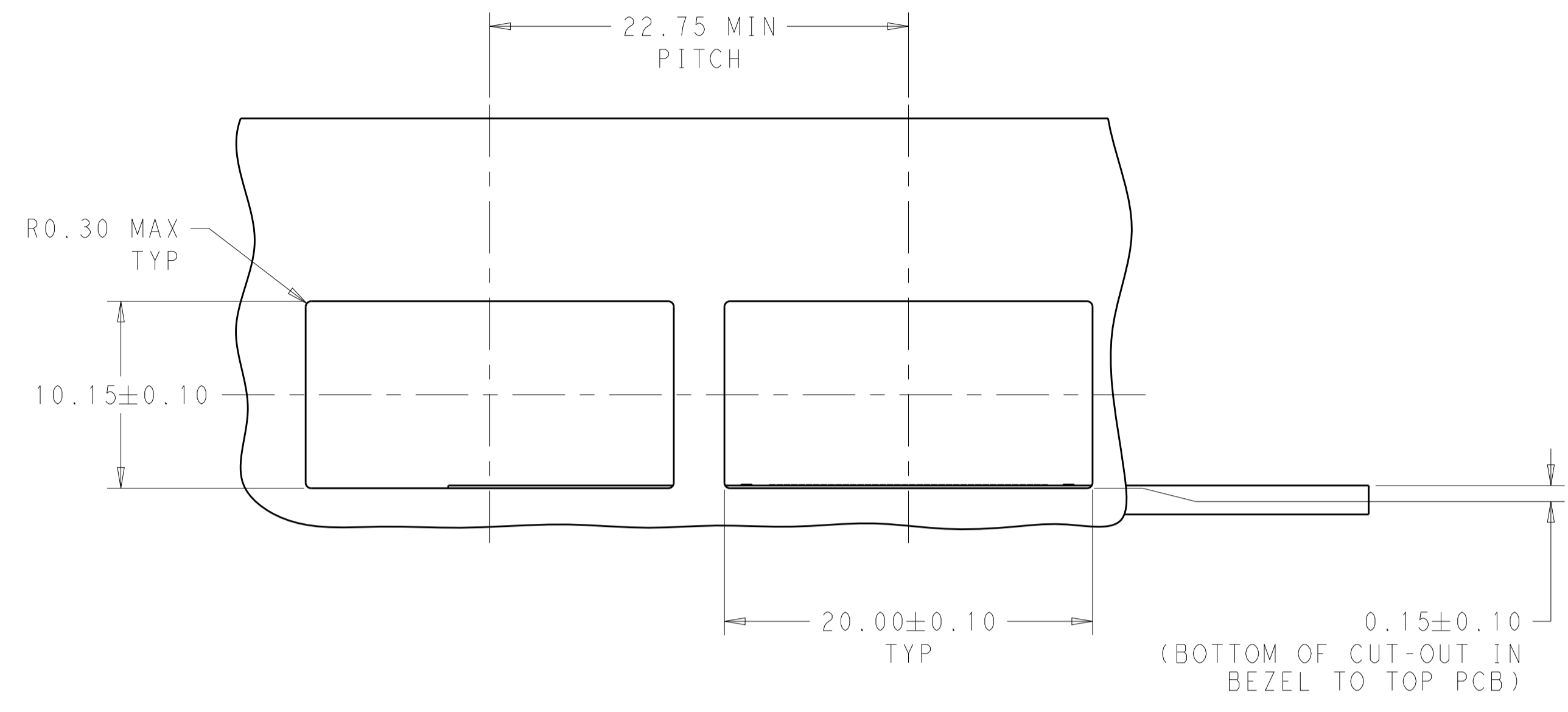
1-2342934-2 AS SHOWN  
 SAME AS -2 EXCEPT W/O REAR PINS  
 SCALE 4:1



1-2342934-3 AS SHOWN  
 SAME AS -3 EXCEPT W/O REAR PINS  
 SCALE 4:1

THIS DRAWING IS A CONTROLLED DOCUMENT.		OWN: ARTHUR JLN 30AUG2018	TE Connectivity
DIMENSIONS:		CHK: SEAN HAN 29AUG2018	
mm	0 PLC ±0.25 1 PLC ±0.25 2 PLC ±0.25 3 PLC ±0.20 4 PLC ±0.10 ANGLES ±° FINISH ±	APVD: SEAN HAN 30AUG2018	NAME: CAGE ASSEMBLY, QSFP-DD STANDARD WITH EMI SPRING FINGER ZIPPER FIN HEAT SINK
		PRODUCT SPEC: 108-60122	SIZE: A1
MATERIAL:		APPLICATION SPEC: 114-60025	CAGE CODE: C=2342934
		WEIGHT:	RESTRICTED TO:
		CUSTOMER DRAWING	SCALE: 2:1 SHEET 2 OF 5 REV B

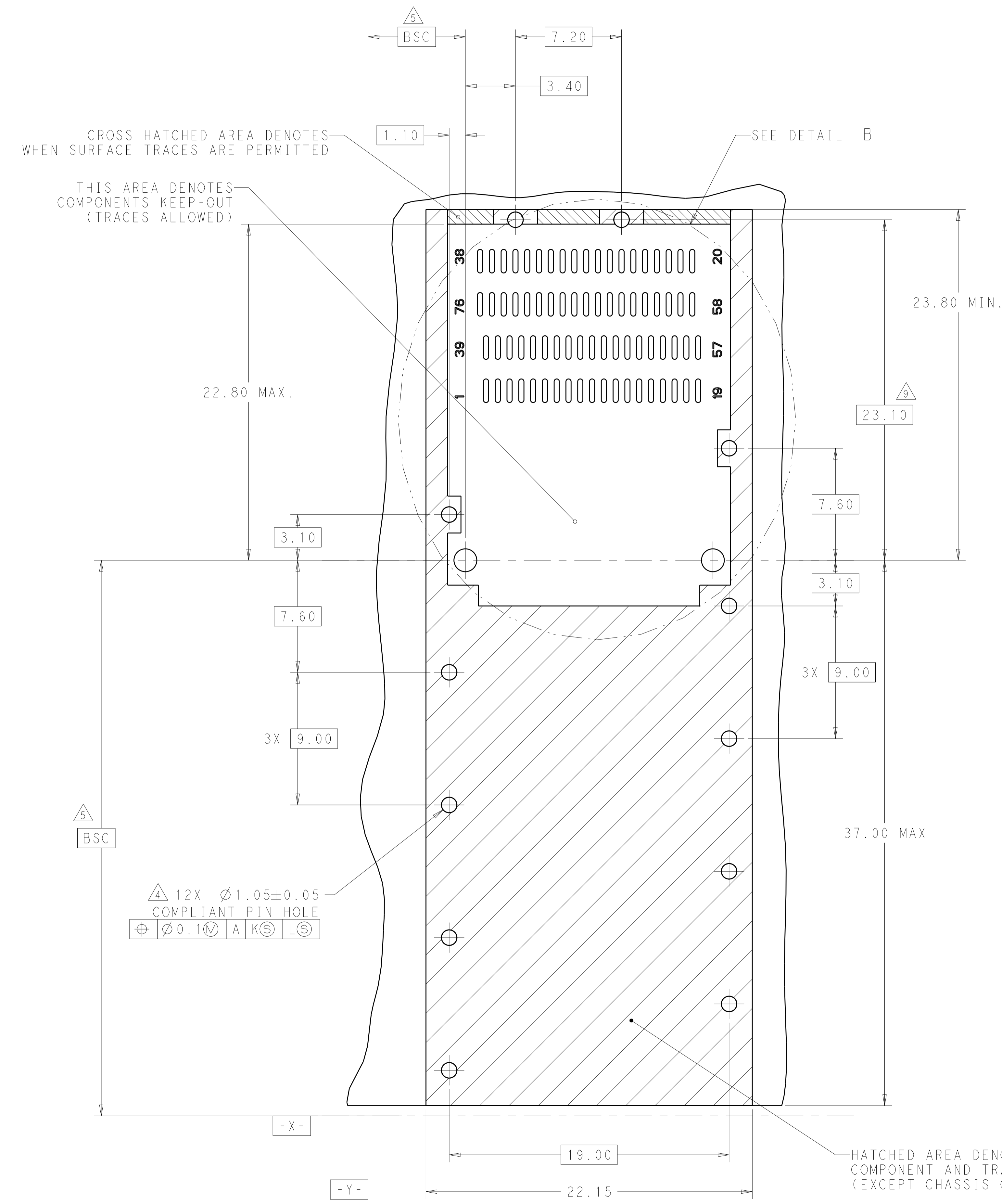
LOC		DIST		REVISIONS			
				DESCRIPTION	DATE	OWN	APVD
-	-	-	-	SEE SHEET 1	-	-	-



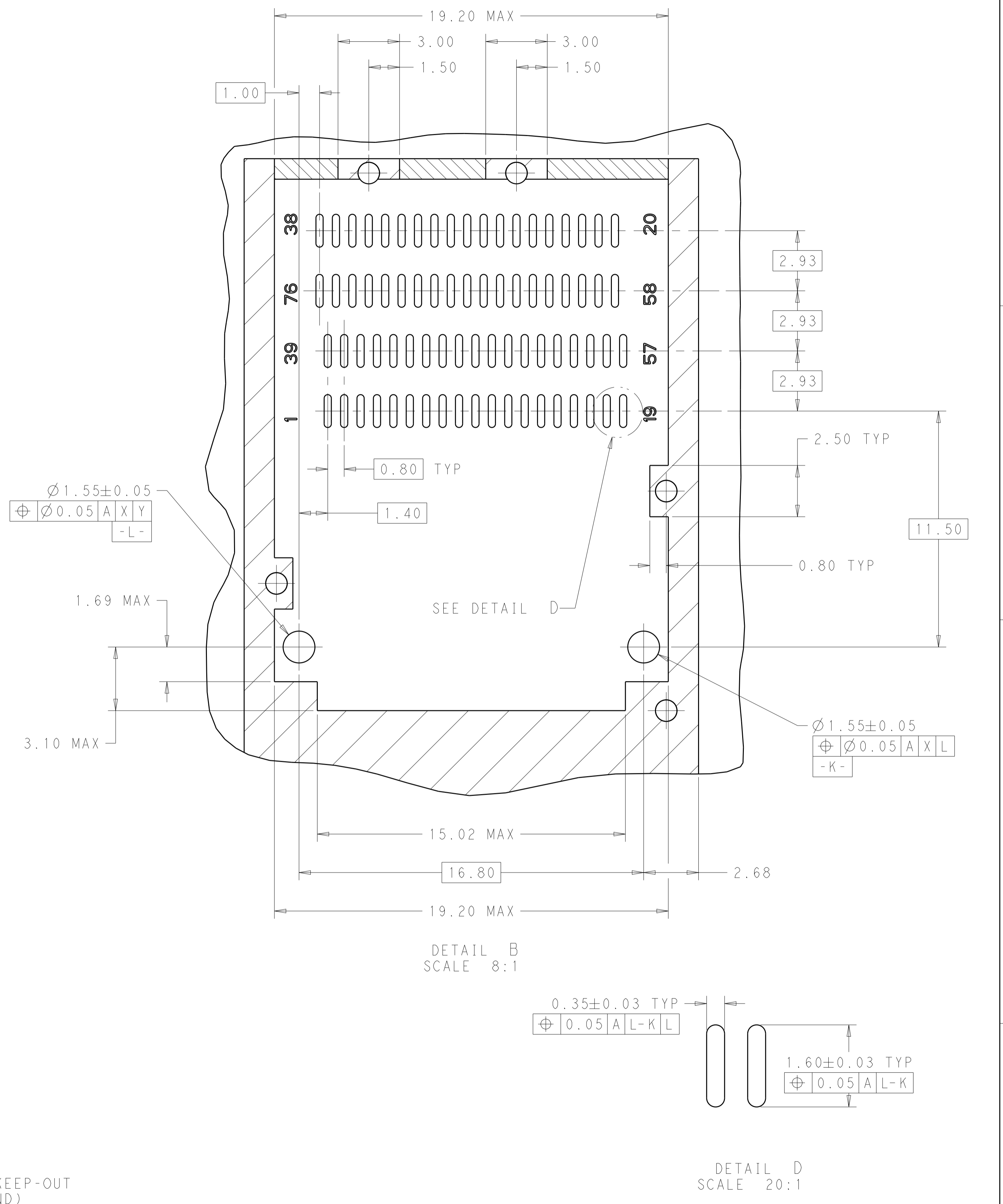
THIS DRAWING IS A CONTROLLED DOCUMENT.		OWN: ARTHUR JIH 30AUG2018	TE Connectivity
DIMENSIONS: mm		CHK: SEAN HAN 29AUG2018	
TOLERANCES UNLESS OTHERWISE SPECIFIED:		APVD: SEAN HAN 30AUG2018	NAME: CAGE ASSEMBLY, QSPF-DD STANDARD WITH EMI SPRING FINGER ZIPPER FIN HEAT SINK PRODUCT SPEC: 108-60122 APPLICATION SPEC: 114-60025 WEIGHT: - CUSTOMER DRAWING
0 PLC ±0.25		RESTRICTED TO: -	
1 PLC ±0.25		SCALE: 2:1	
2 PLC ±0.20		SHEET 3 OF 5	
3 PLC ±0.10		REV B	
4 PLC ±			
ANGLES			
FINISH			



LOC	DIST	REV	DATE	BY	APPD
-	-	1	30AUG2018	ARTHUR JIH	
-	-	2	29AUG2018	SEAN HAN	
-	-	3	30AUG2018	SEAN HAN	



RECOMMENDED PCB LAYOUT  
 SINGLE TYPE OF 2 REAR HOLES OF LEGS  
 PCB TOLERANCE: ±0.05  
 SCALE 6:1

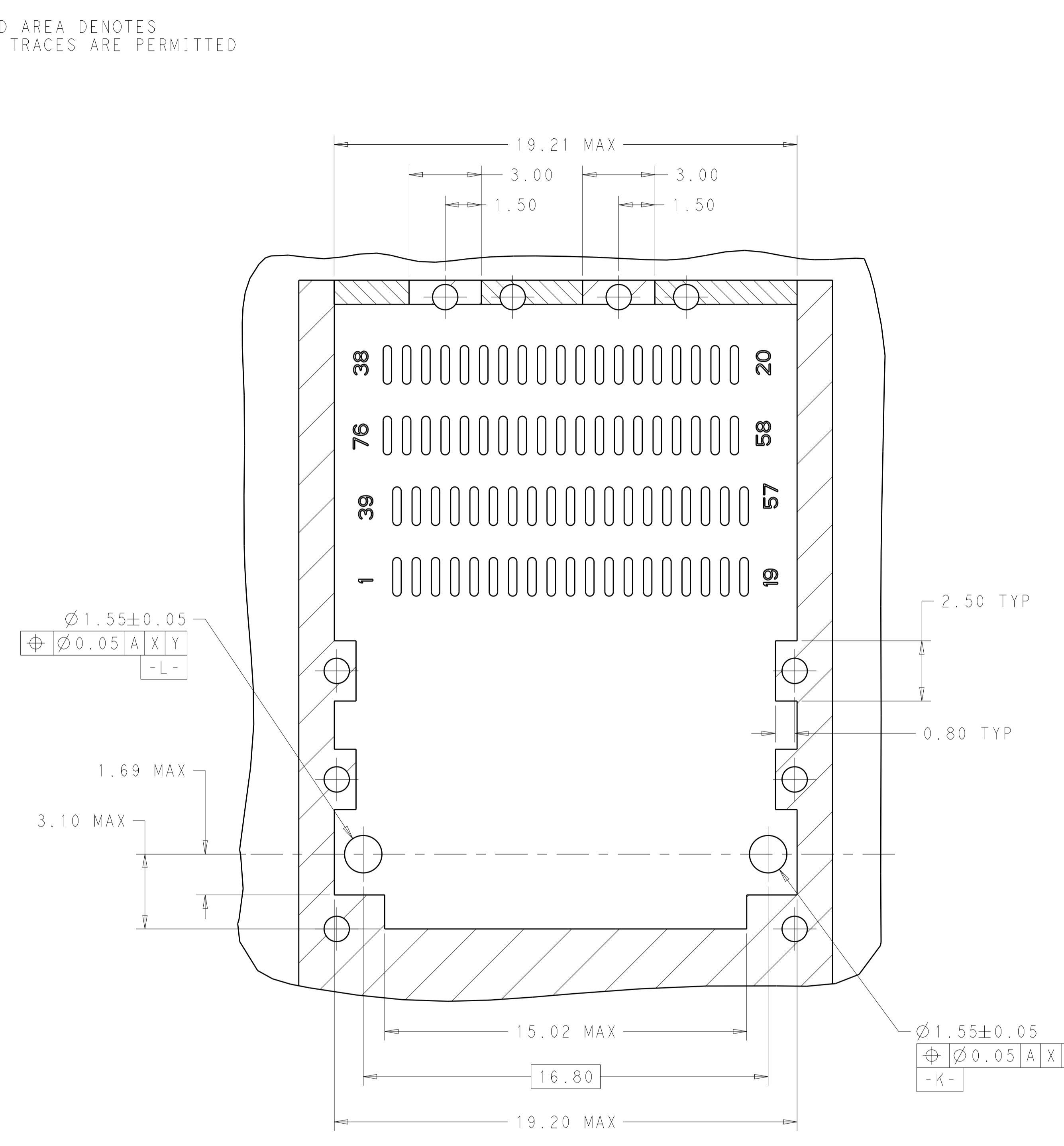
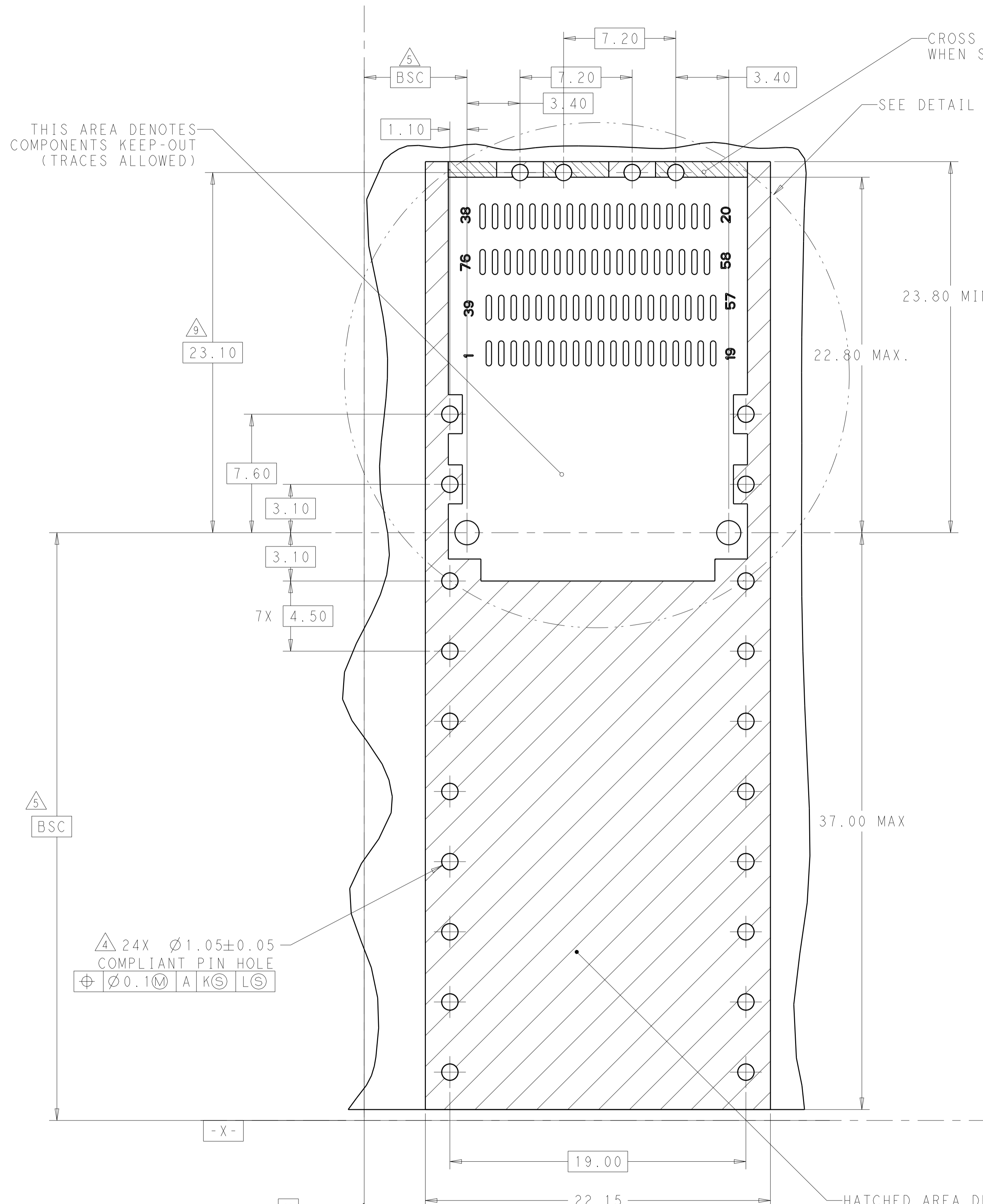


DETAIL B  
 SCALE 8:1

DETAIL D  
 SCALE 20:1

THIS DRAWING IS A CONTROLLED DOCUMENT.		OWN: ARTHUR JIH 30AUG2018	TE Connectivity
DIMENSIONS: mm		CHK: SEAN HAN 29AUG2018	
TOLERANCES UNLESS OTHERWISE SPECIFIED:		APPD: SEAN HAN 30AUG2018	NAME: CAGE ASSEMBLY, QSFP-DD STANDARD WITH EMI SPRING FINGER ZIPPER FIN HEAT SINK
0 PLC ±0.25		PRODUCT SPEC: 108-60122	
1 PLC ±0.25		APPLICATION SPEC: 114-60025	
2 PLC ±0.20		WEIGHT: -	
3 PLC ±0.20		FINISH: -	RESTRICTED TO: -
4 PLC ±0.10		SCALE: 2:1	SHEET 4 OF 5
ANGLES: °		CUSTOMER DRAWING	REV B

LOC	DIST	REV	DATE	BY	APPV
-	-	1	30AUG2018	SEAN HAN	
REVISIONS					
DESCRIPTION			DATE	BY	APPV
SEE SHEET 1			-	-	-



DETAIL C  
SCALE 8:1

RECOMMENDED PCB LAYOUT  
BELLY TO BELLY TYPE OF 2 REAR HOLES OF LEGS  
PCB TOLERANCE:  $\pm 0.05$   
SCALE 6:1

THIS DRAWING IS A CONTROLLED DOCUMENT.		OWN: ARTHUR JIH 30AUG2018	TE Connectivity
DIMENSIONS: mm		CHK: SEAN HAN 29AUG2018	
TOLERANCES UNLESS OTHERWISE SPECIFIED:		APPV: SEAN HAN 30AUG2018	NAME: CAGE ASSEMBLY, QSPF-DD STANDARD WITH EMI SPRING FINGER ZIPPER FIN HEAT SINK
0 PLC $\pm 0.25$	1 PLC $\pm 0.25$	PRODUCT SPEC: 108-60122	SIZE: A1
2 PLC $\pm 0.25$	3 PLC $\pm 0.20$	APPLICATION SPEC: 114-60025	CAGE CODE: 2342934
4 PLC $\pm 0.10$	ANGLES $\pm$	WEIGHT: -	SCALE: 2:1
MATERIAL: -	FINISH: -	CUSTOMER DRAWING	SHEET 5 OF 5

单击下面可查看定价，库存，交付和生命周期等信息

[>>TE Connectivity\(泰科\)](#)