

4

3

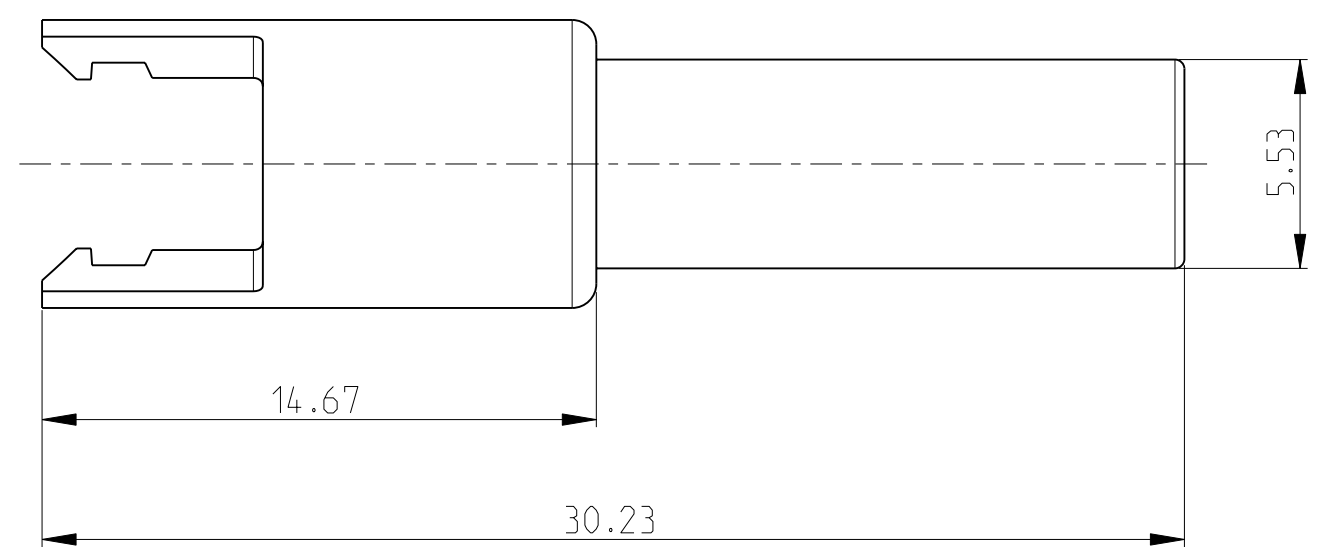
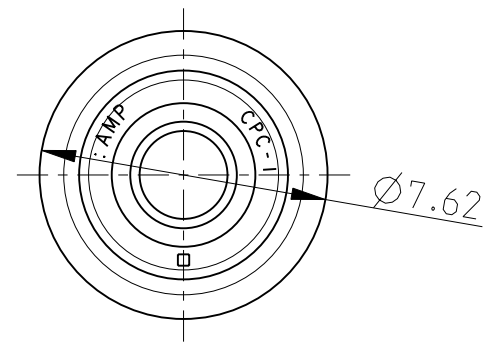
2

1

THIS DRAWING IS UNPUBLISHED. RELEASED FOR PUBLICATION 2008

© COPYRIGHT 2008 BY TYCO ELECTRONICS CORPORATION. ALL RIGHTS RESERVED.

LOC	DIST	REVISIONS			
P	LTR	DESCRIPTION	DATE	DWN	APVD
AL	2	A	05NOV2008	J.S	P.E.G



Black	PA 66
Colour	Material

<small>THIS DRAWING IS A CONTROLLED DOCUMENT FOR TYCO ELECTRONICS CORPORATION. IT IS SUBJECT TO CHANGE AND THE CONTROLLING ENGINEERING ORGANIZATION SHOULD BE CONTACTED FOR THE LATEST REVISION.</small>		DWN J Salo 05NOV2008 CHK R. SOLE 05NOV2008 APVD P.E. GRASSANO 05NOV2008	Tyco Electronics AMP España, S.A. Barcelona, Spain.
DIMENSIONS: mm	TOLERANCES UNLESS OTHERWISE SPECIFIED: 0 PLC ±- 1 PLC ±- 2 PLC ±- 3 PLC ±0.4 4 PLC ±- ANGLES ±1° 30' FINISH -	PRODUCT SPEC - APPLICATION SPEC - WEIGHT -	NAME SINGLE CIRCUIT MATE-N-LOCK, CAP (PIN) SIZE A3 CAGE CODE - DRAWING NO C=926176 RESTRICTED TO -
MATERIAL See table		CUSTOMER DRAWING	SCALE 5:1 SHEET 1 OF 1 REV A

单击下面可查看定价，库存，交付和生命周期等信息

[>>TE Connectivity\(泰科\)](#)