

REVISIONS				
REV	DATE	DESCRIPTION	BY	APP'D
E1	15MAY2012	REVISED PER ECO-12-009124	DD	RL
E2	23OCT2014	REVISED PER ECO-14-016022	DD	RL

KEYING OPTIONS (SHOWN WITH CPA)

KEYING OPTION: A

SCALE 2:1

KEYING OPTION: B

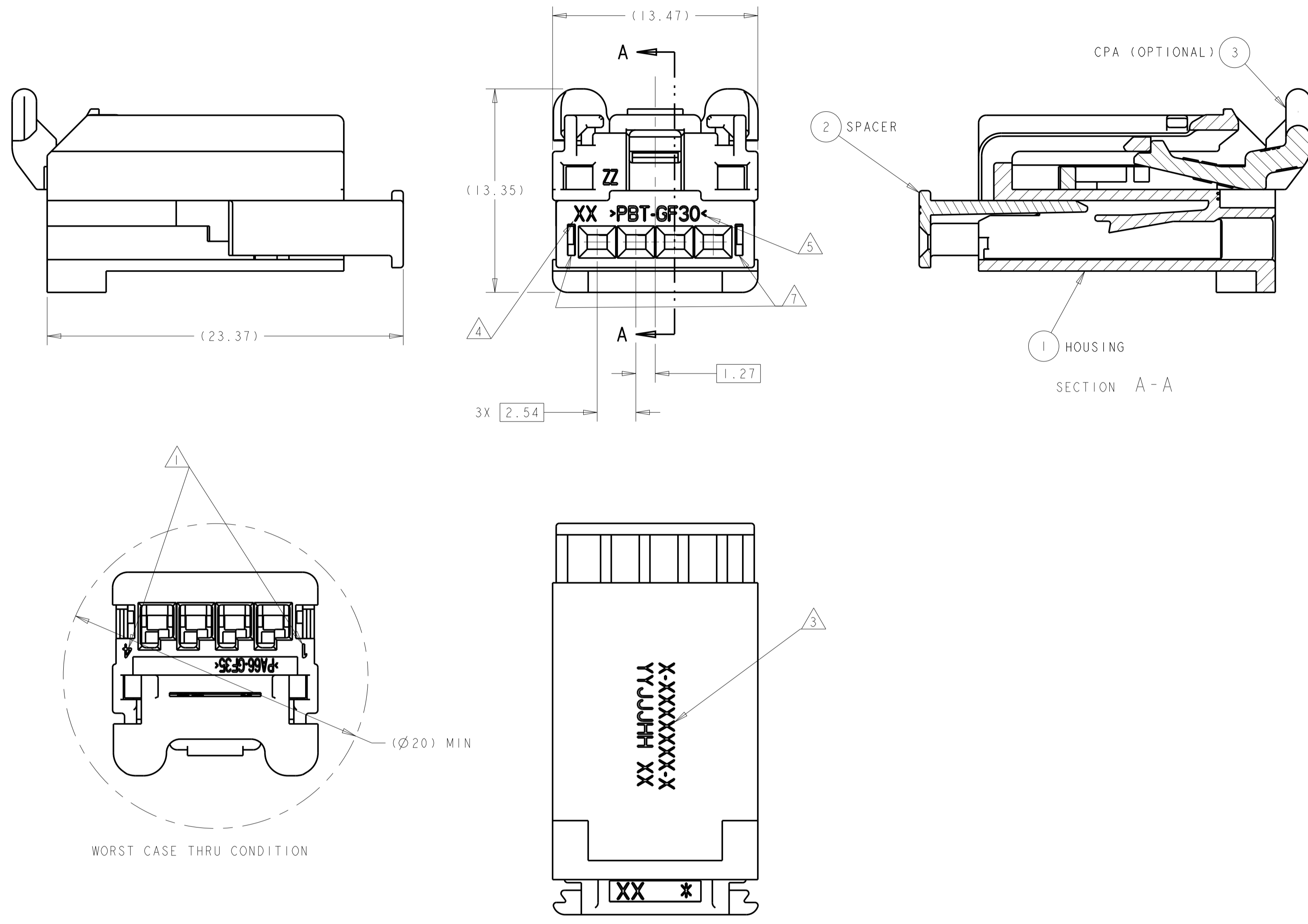
SCALE 2:1

KEYING OPTION: C

SCALE 2:1

KEYING OPTION: D

SCALE 2:1



- 1. CIRCUIT IDENTIFICATION NUMBERS, LOCATED AS SHOWN.
- 2. SPACER AND CPA ARE SHIPPED IN PRE-ASSEMBLED POSITION.
- 3. PART NUMBER, DATE CODE AND WORK CENTER LOCATION.
- 4. CAVITY ID.
- 5. MATERIAL IDENTIFICATION.
- 6. PACKING: CONNECTOR ASSEMBLIES BULK PACKAGED IN CARDBOARD BOX.
- 7. OPTIONAL SLOTS FOR MOLD CONSTRUCTION.
- 8. 45° LEAD IN ANGLE OPTIONAL TYPICAL FOR ALL KEYS.
- 9. SPACER IS SHIPPED IN PRE-LOADED POSITION. SOME SPACERS MAY BECOME FULLY SEATED DURING SHIPPING. USE TE INSTRUCTION SHEET 408-10104 TO REPOSITION SPACER BACK TO IT'S PRE-LOADED POSITION.
- 10. REFER TO TE INSTRUCTION SHEET 408-8599 FOR PROPER CONTACT ASSEMBLY/DISASSEMBLY AND CONNECTOR MATING/UN-MATING PROCEDURE.

QTY REQ'D PER ASSY	DESCRIPTION	MATERIAL	COLOR	ITEM NO
1	CPA	>PBT-GF20<	RED	3
1	SPACER	>PBT-GF30<	RED	2
1	HOUSING; KEY D	>PA66-GF35<	BLACK	1
-	HOUSING; KEY C	>PA66-GF35<	BLACK	
-	HOUSING; KEY B	>PA66-GF35<	BLACK	
-	HOUSING; KEY A	>PA66-GF35<	BLACK	

PARTS LIST

THIS DRAWING IS A CONTROLLED DOCUMENT. OWN: R. VESTAL 13DEC2006, CHK: D. STRAUSSER 13DEC2006, APVD: D. STRAUSSER 13DEC2006

TE TE Connectivity

NAME: 1X4 POSITION, GET FEMALE CONNECTOR, UNSEALED ASSEMBLY

SIZE: A100779, CAGE CODE: 1456983, DRAWING NO: 1456983-1

SCALE: 5:1, SHEET: 1 OF 1, REV: E2

单击下面可查看定价，库存，交付和生命周期等信息

[>>TE Connectivity\(泰科\)](#)