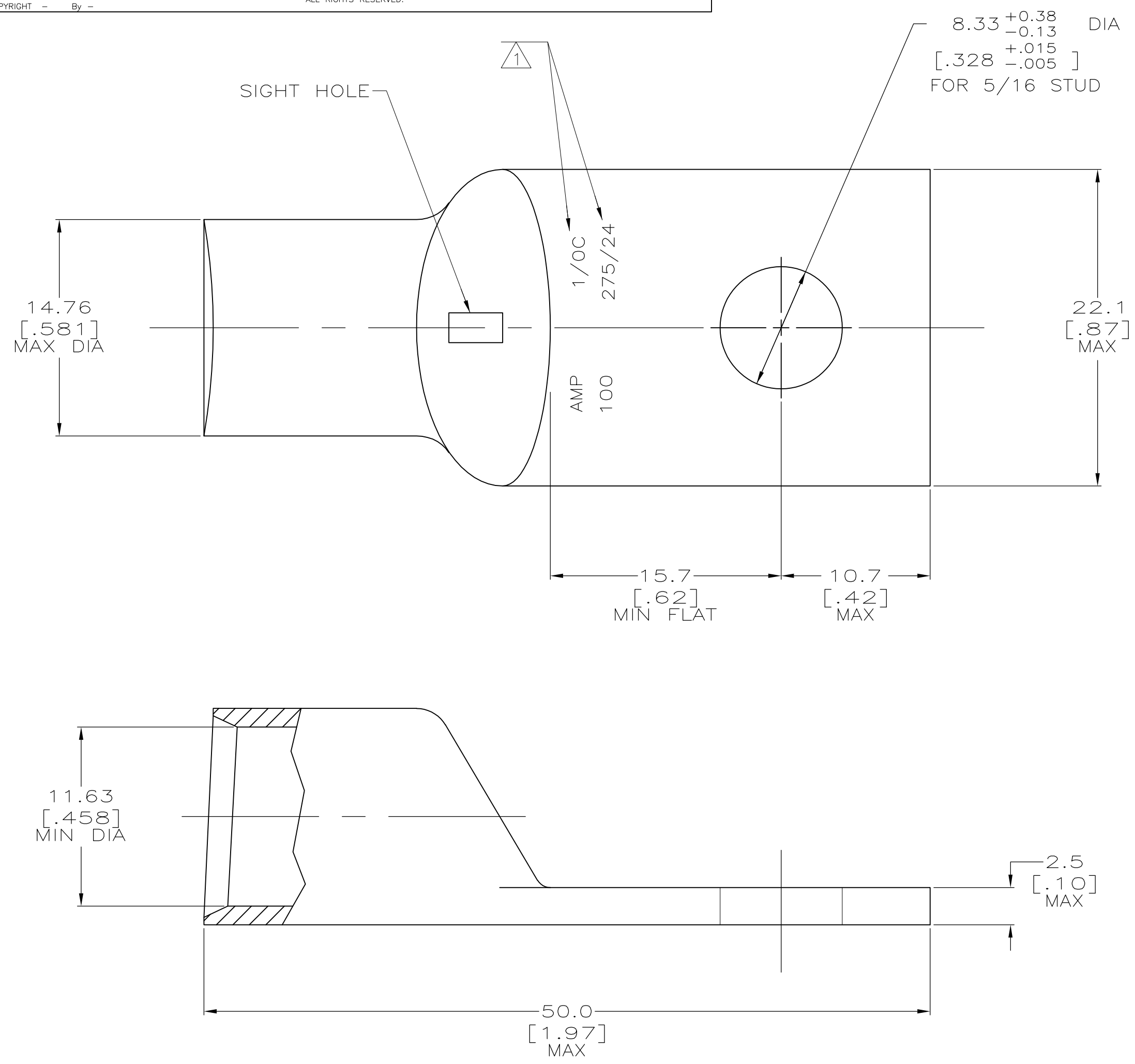




△ STAMP AMP 1/0C 100 275/24 APPROX AS SHOWN



AMP INCORPORATED CUSTOMER SERVICE SYSTEMS		MAX RECOMMENDED OPERATING TEMPERATURE: 170° C MAX
FOR ADDITIONAL PRODUCT INFORMATION OR COPIES OF DRAWINGS AND TECHNICAL DOCUMENTS	PRODUCT INFORMATION CENTER 1-800-522-6752	VOLTAGE RATING: NOT APPLICABLE
FOR APPLICATION TOOLING INFORMATION	TOOLING ASSISTANCE CENTER 1-800-722-1111	WIRE CROSS SECTIONAL AREA RANGE: 42.41-60.55mm <sup>2</sup> [83,700-119,500] CIR MILS STRANDED
FOR ORDER ENTRY	1-800-526-5142	THIS DRAWING IS A CONTROLLED DOCUMENT FOR AMP INCORPORATED. IT IS SUBJECT TO CHANGE AND THE CONTROLLING ENGINEERING ORGANIZATION SHOULD BE CONTACTED FOR THE LATEST REVISION.

THIS DRAWING IS A CONTROLLED DOCUMENT.		DWN DK SCHRUM 30AUG94	325302													
		CHK AJ KAUFMAN 31AUG94	PART NO													
		APVD RE ROSER 31AUG94	TE Connectivity													
DIMENSIONS: mm[INCHES]		TOLERANCES UNLESS OTHERWISE SPECIFIED:	NAME: TERMINAL, AMPPOWER, WIRE SIZE: 1/0 AWG													
<table border="1"> <tr><td>0 PLC</td><td>± -</td></tr> <tr><td>1 PLC</td><td>± -</td></tr> <tr><td>2 PLC</td><td>± 0.20[.008]</td></tr> <tr><td>3 PLC</td><td>± -</td></tr> <tr><td>4 PLC</td><td>± -</td></tr> <tr><td>ANGLES</td><td>± ± -</td></tr> </table>		0 PLC	± -	1 PLC	± -	2 PLC	± 0.20[.008]	3 PLC	± -	4 PLC	± -	ANGLES	± ± -	PRODUCT SPEC: -	SIZE: A2 CAGE CODE: 00779 DRAWING NO: G-325302	
0 PLC	± -															
1 PLC	± -															
2 PLC	± 0.20[.008]															
3 PLC	± -															
4 PLC	± -															
ANGLES	± ± -															
MATERIAL: COPPER PER ASTM B-75 ANNEALED		FINISH: TIN PLATE 0.00381[.000150] MIN THK PER MIL-T-10727	WEIGHT: -	RESTRICTED TO: -												
CUSTOMER DRAWING		SCALE: 4:1	SHEET: 1 of 1	REV: Y1												

单击下面可查看定价，库存，交付和生命周期等信息

[>>TE Connectivity\(泰科\)](#)