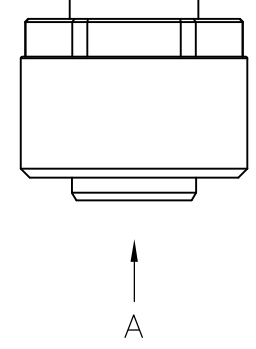
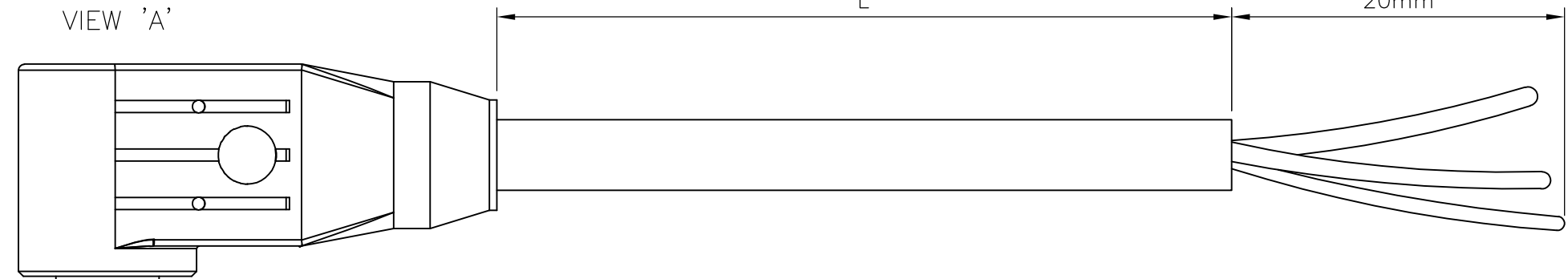
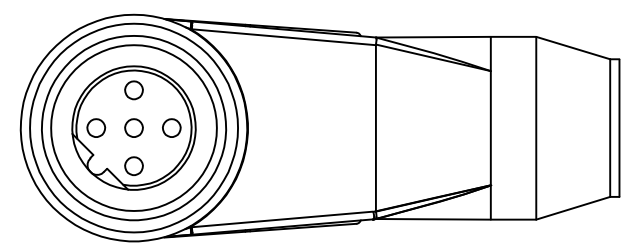


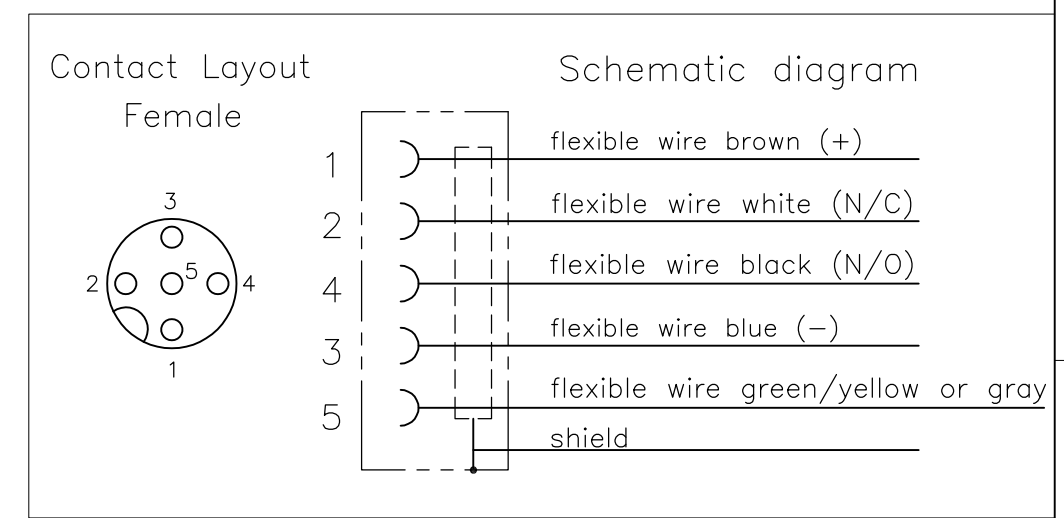
THIS DRAWING IS UNPUBLISHED. RELEASED FOR PUBLICATION
 © COPYRIGHT - By - ALL RIGHTS RESERVED.

| LOC | DIST | REVISIONS | | | |
|-----|------|-------------|-----------------|-----------|---------|
| P | LTR | DESCRIPTION | DATE | DWN | APVD |
| H | - | A | INITIAL RELEASE | 27NOV2013 | GSK BvH |
| | | A1 | ECR-14-015049 | 13OCT2014 | GSK BvH |

NOTES:
 Tolerances cable lengths:
 0m to 0.5m +30mm
 0.5m to 1.0m +50mm
 1.0m to 3.0m +100mm
 < 3.0m +1.5%



| PVC CABLE | |
|----------------------------|----------------------------|
| No./diameter of wires | 5 x 0.34 mm ² |
| Wire isolation | PVC (br, wh, bl, bk, gnye) |
| C-track properties | |
| Jacket | PVC (UL/CSA) |
| Outer diameter | approx. 5.9 mm |
| Bend radius (moving) | 15 x outer diameter |
| Temperature range (fixed) | -30...+80 °C |
| Temperature range (mobile) | -5...+70 °C |



| TECHNICAL DATA | |
|-------------------------------|---|
| Operating voltage | max. 60 V AC/DC |
| Operating current per contact | max. 4 A |
| Locking of ports | Screw thread M12 x 1 mm (recommended torque 0.6 Nm) self-securing |
| Protection | IP65 and IP67 when plugged and screwed down (EN 60529) |

| LENGTH "L" | MATERIAL | JACKET COLOR | TE PN | DESCRIPTION | ITEM |
|------------|----------|--------------|-------------|-------------------|------|
| 5 pos | PVC | Grey | 1-2273101-4 | 5x22AWG PVC 10.0m | 8 |
| | | | 1-2273101-3 | 5x22AWG PVC 5.0m | 7 |
| | | | 1-2273101-2 | 5x22AWG PVC 3.0m | 6 |
| 5 pos | PUR | Grey | 1-2273101-1 | 5x22AWG PVC 1.5m | 5 |
| | | | 2273101-4 | 5x22AWG PUR 10.0m | 4 |
| | | | 2273101-3 | 5x22AWG PUR 5.0m | 3 |
| | | | 2273101-2 | 5x22AWG PUR 3.0m | 2 |
| | | | 2273101-1 | 5x22AWG PUR 1.5m | 1 |

| PUR CABLE | |
|----------------------------|----------------------------|
| No./diameter of wires | 5 x 0.34 mm ² |
| Wire isolation | PVC (br, wh, bl, bk, gnye) |
| C-track properties | |
| Jacket | PUR/PVC (UL/CSA) |
| Outer diameter | approx. 5.9 mm |
| Bend radius (moving) | 15 x outer diameter |
| Temperature range (fixed) | -40...+80 °C |
| Temperature range (mobile) | -5...+70 °C |

THIS DRAWING IS A CONTROLLED DOCUMENT.

| | | | |
|------------------|---|--------------------------------|--|
| DIMENSIONS: mm | TOLERANCES UNLESS OTHERWISE SPECIFIED: | DWN SATHISH KUMAR .G 27NOV2013 | TE Connectivity |
| | 0 PLC ± - 1 PLC ± - 2 PLC ± - 3 PLC ± - 4 PLC ± - ANGLES ± - | CHK B.VELDHOVEN 27NOV2013 | |
| MATERIAL - | FINISH - | APVD A.VAN ZANDVOORT 27NOV2013 | NAME M12 X 1.0 ANGLED SOCKET PIGT SHLD A |
| | | PRODUCT SPEC 108-19483 | SIZE A3 |
| | | APPLICATION SPEC 114-32127 | CAGE CODE 00779 |
| | | WEIGHT - | DRAWING NO C-2273101 |
| CUSTOMER DRAWING | | | RESTRICTED TO - |
| SCALE NTS | | | SHEET 1 OF 1 |
| | | | REV A1 |

单击下面可查看定价，库存，交付和生命周期等信息

[>>TE Connectivity\(泰科\)](#)