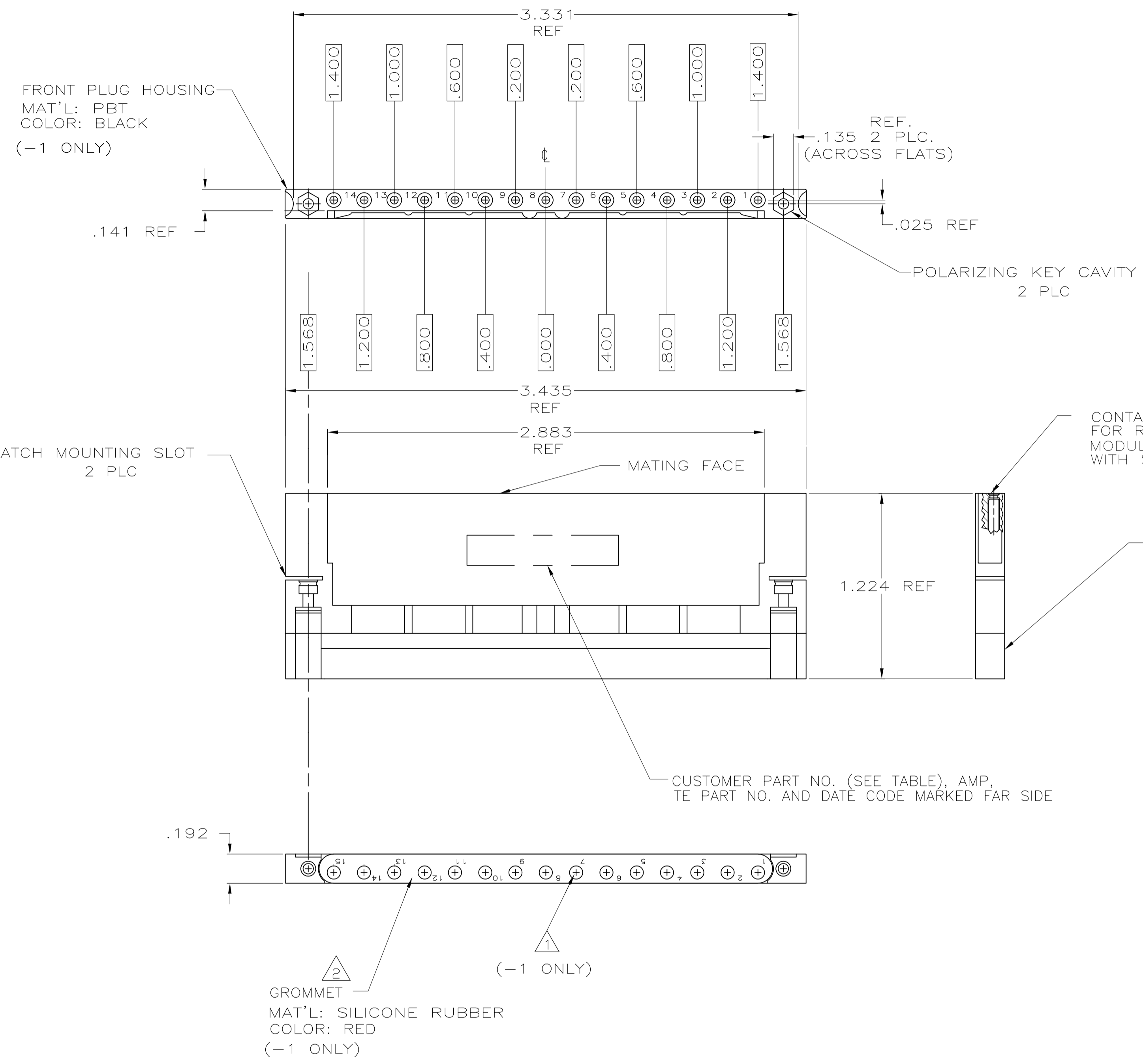
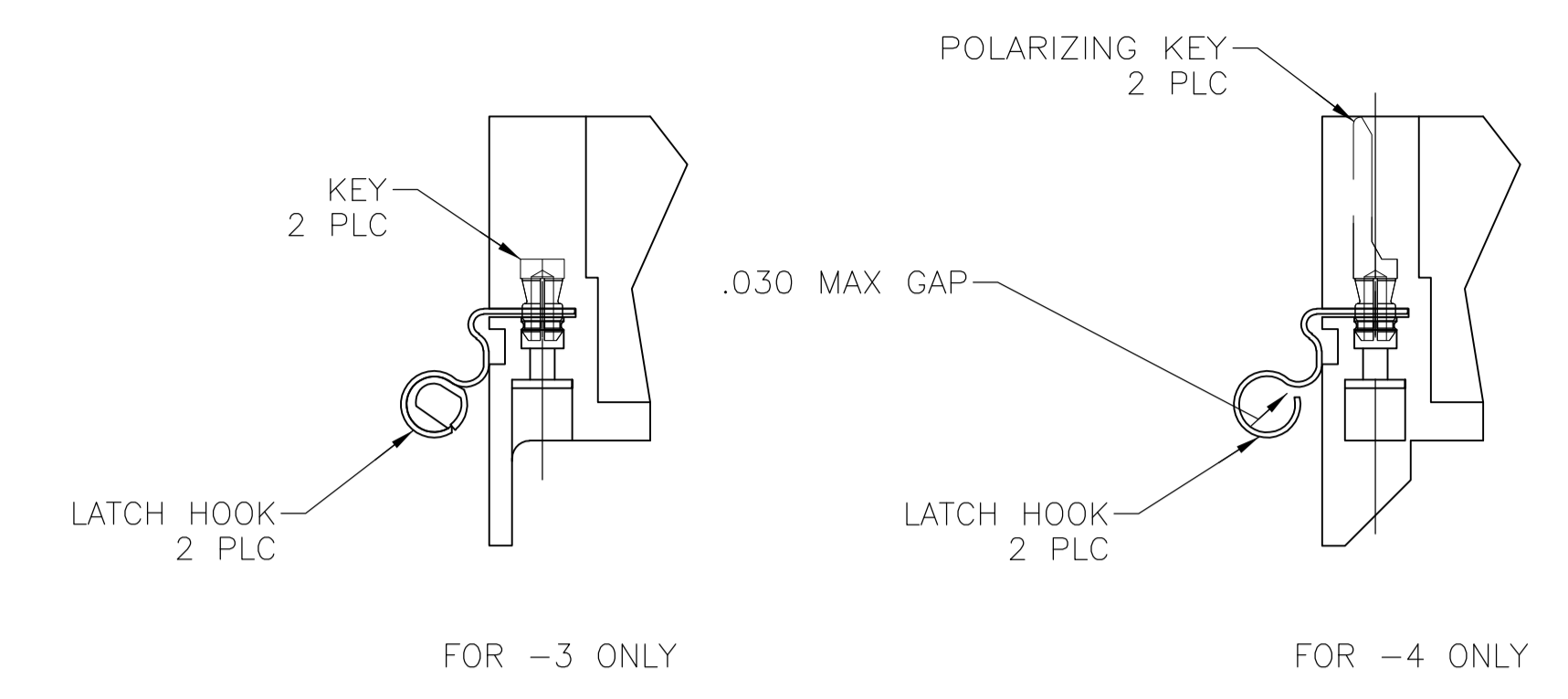


LOC		DIST		REVISIONS			
DF	AO	REV	PER	DESCRIPTION	DATE	DWN	APVD
N		REV PER	ECO-08-003154		18MAR08	PY	KT

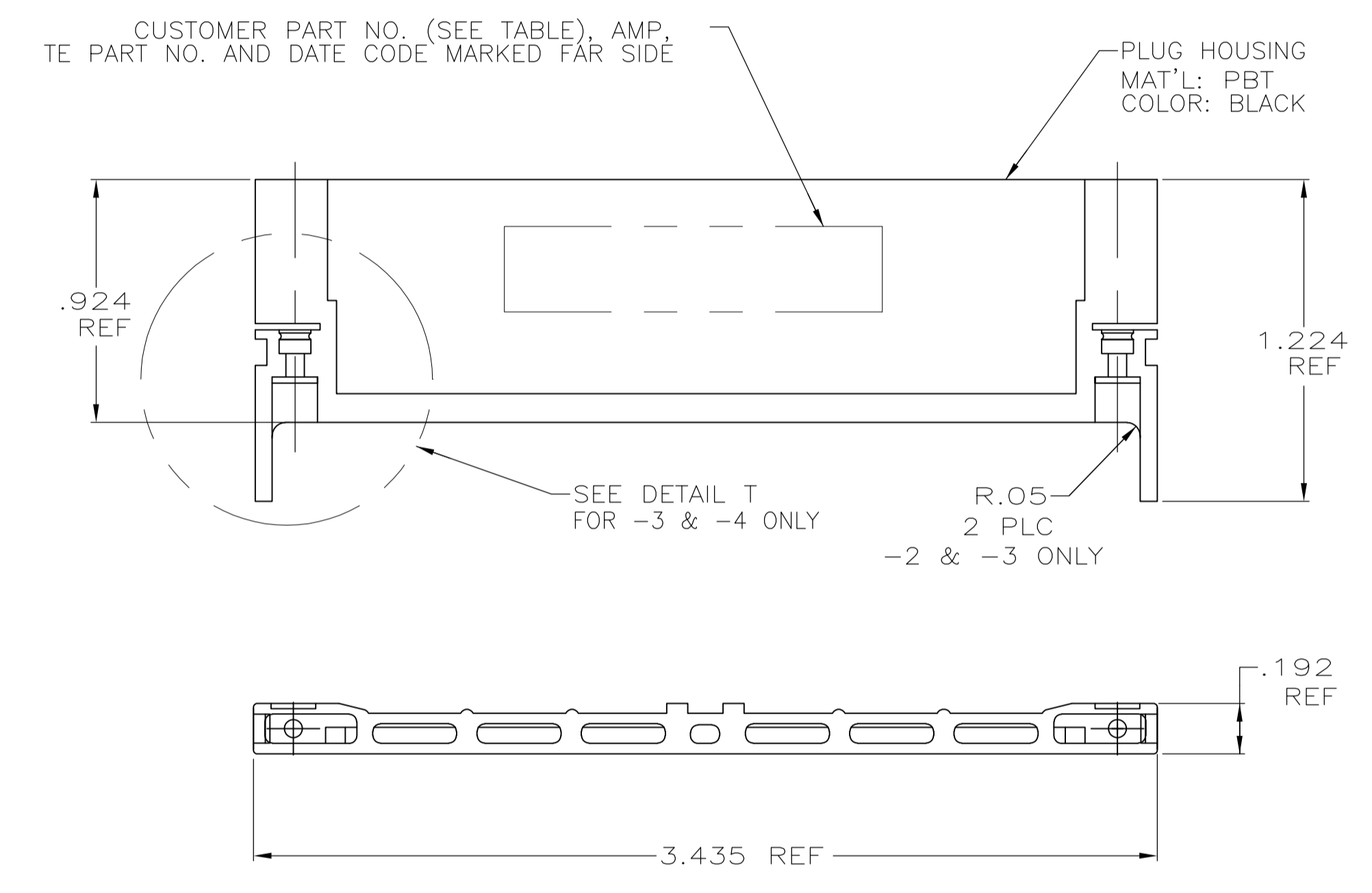


213408-1 ONLY

- △ CONTACT RETENTION CLIP (NOT SHOWN)  
 MATERIAL: STAINLESS STEEL
- △ GAP ALLOWABLE BETWEEN THE SIDE OF THE HOUSING AND  
 THE SIDE OF THE GROMMET, UP TO .016



DETAIL T



213408-2, -3 AND -4 ONLY

CUSTOMER MARKING	DESCRIPTION	PART NUMBER
-	SAME AS -2 EXCEPT SEE DETAIL T	213408-4
284U1396-3	SAME AS -2 EXCEPT SEE DETAIL T	213408-3
-	SAME AS -1 EXCEPT AS SHOWN	213408-2
-	AS SHOWN	213408-1

THIS DRAWING IS A CONTROLLED DOCUMENT.		DWN C.C.THOMAS 2-14-02	Tyco Electronics Corporation Harrisburg, PA 17105-3608	
DIMENSIONS: INCHES	TOLERANCES UNLESS OTHERWISE SPECIFIED:	CHK S.GLATFELTER 2-14-02	NAME S.GLATFELTER 2-14-02	
0 PLC ± -	1 PLC ± -	PRODUCT SPEC	PLUG ASSY, 15 POSN., WIRE INTEGRATION CONNECTOR	
2 PLC ± -	3 PLC ± -	APPLICATION SPEC	SIZE	CAGE CODE DRAWING NO
4 PLC ± -	ANGLES ± -	FINISH	A1	00779 ©=213408
MATERIAL SEE CALLOUTS		WEIGHT	CUSTOMER DRAWING	
		SCALE	SHEET 1 OF 1	
		REV	N	

单击下面可查看定价，库存，交付和生命周期等信息

[>>TE Connectivity\(泰科\)](#)