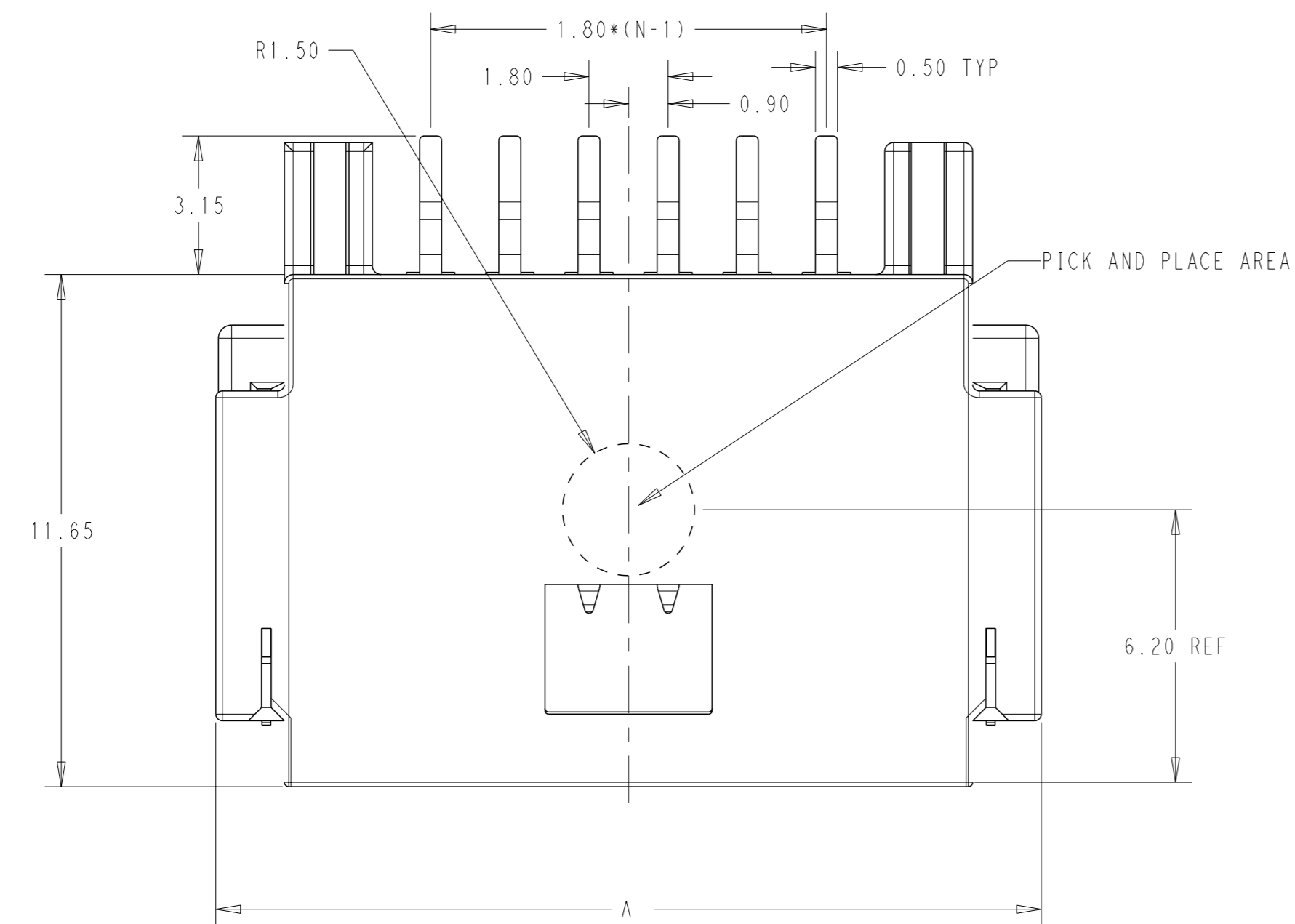
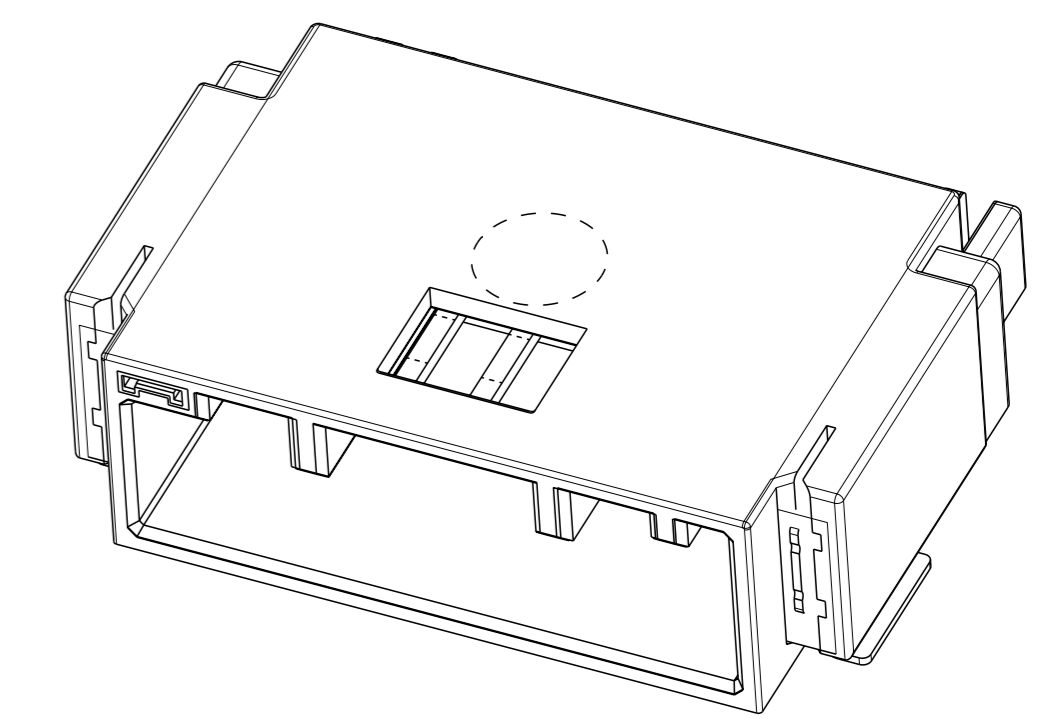


REVISIONS				
P	LY#	DESCRIPTION	DATE	OWN APVD
A3		ECR-24-224082	16OCT2024	F.F G.F



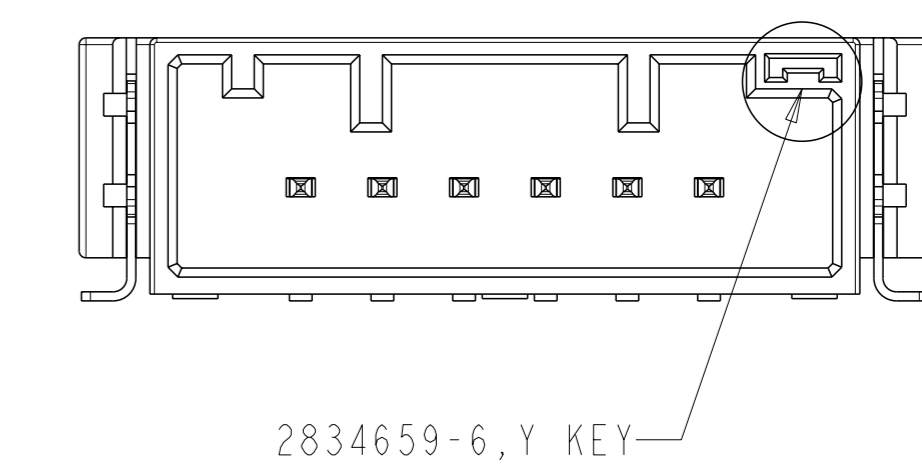
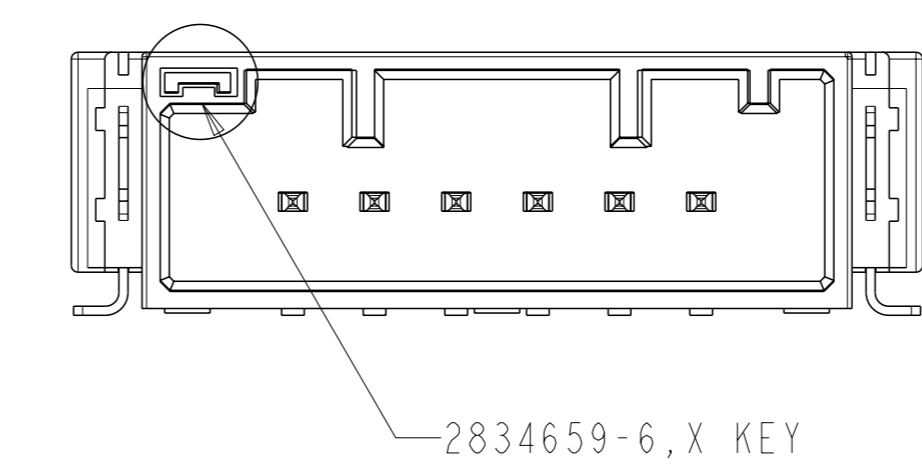
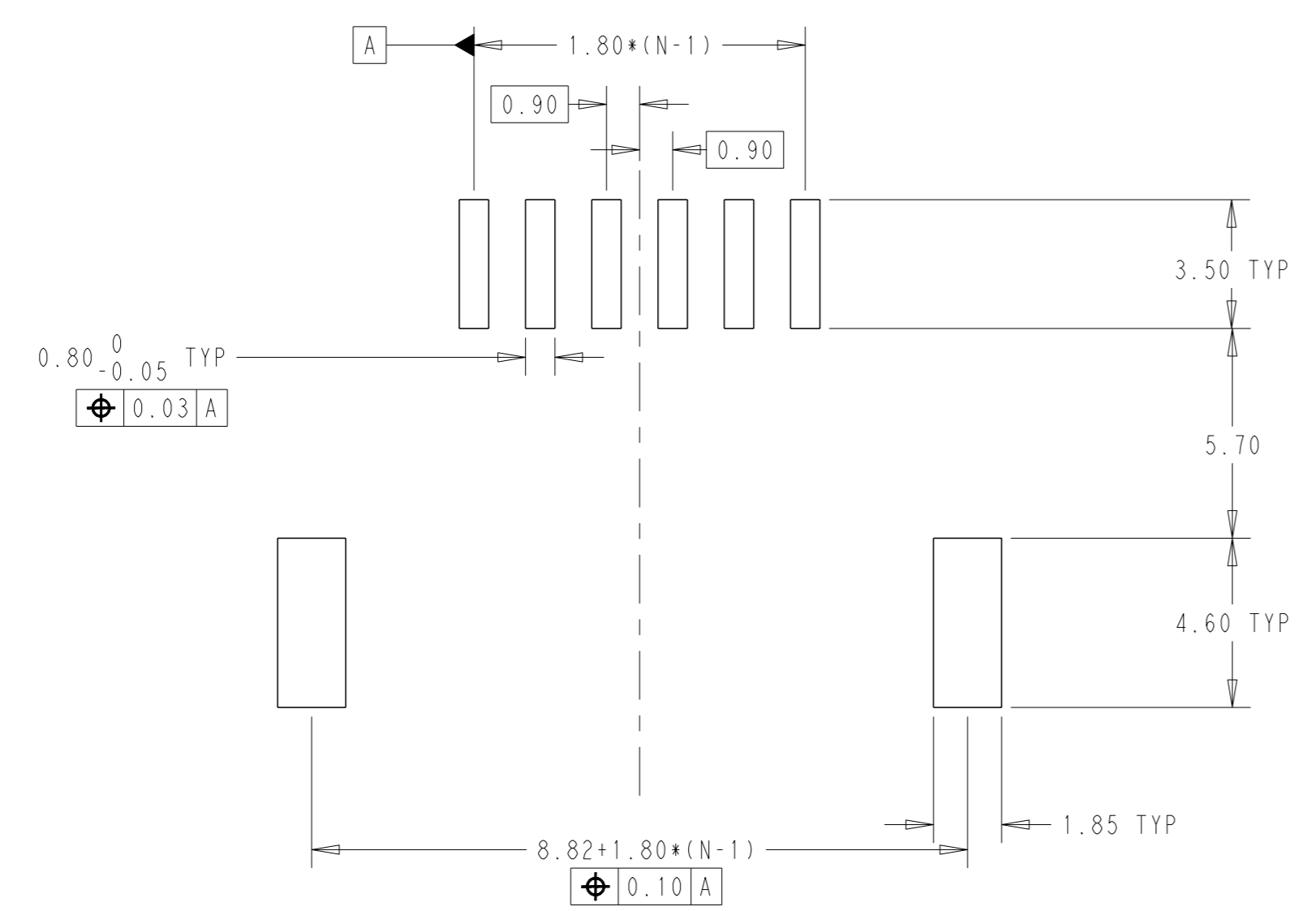
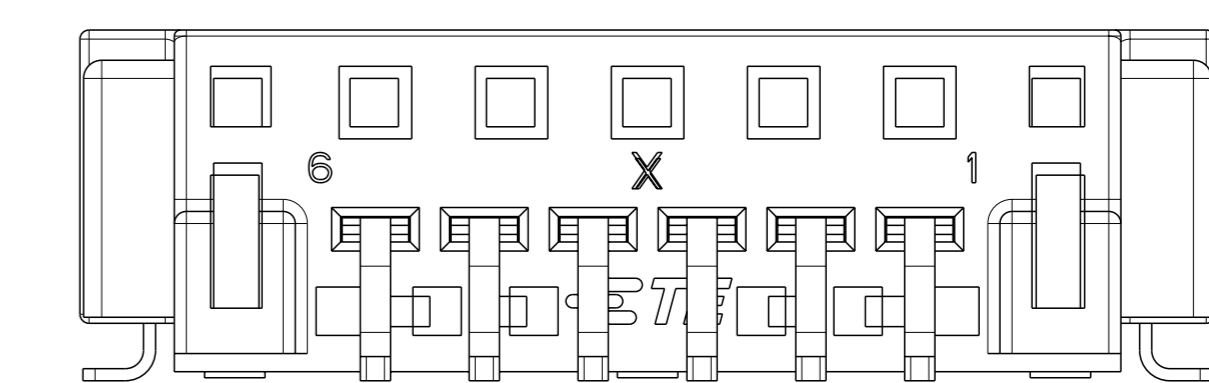
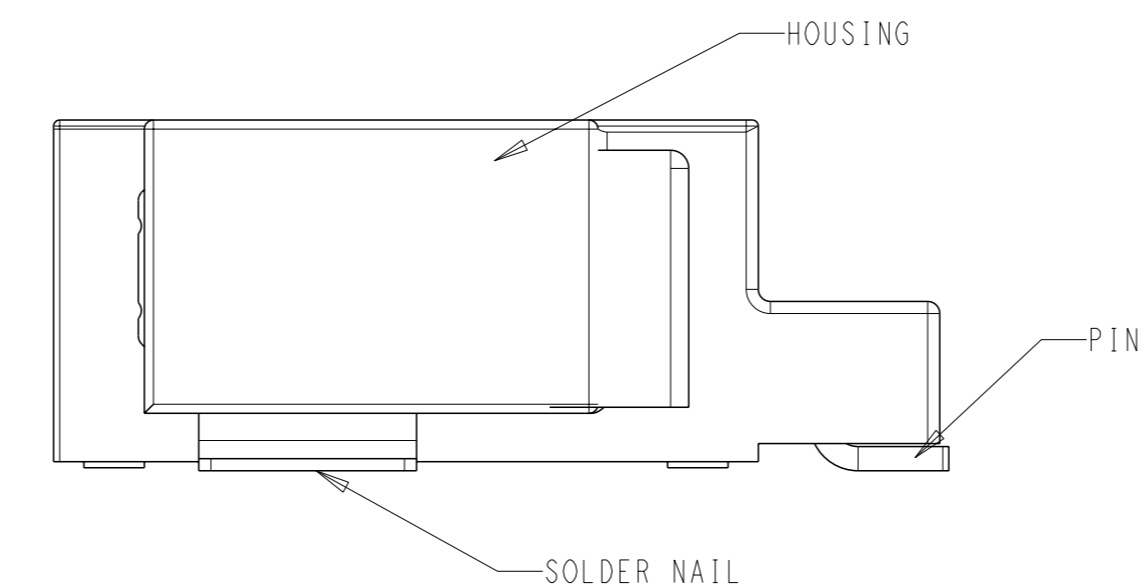
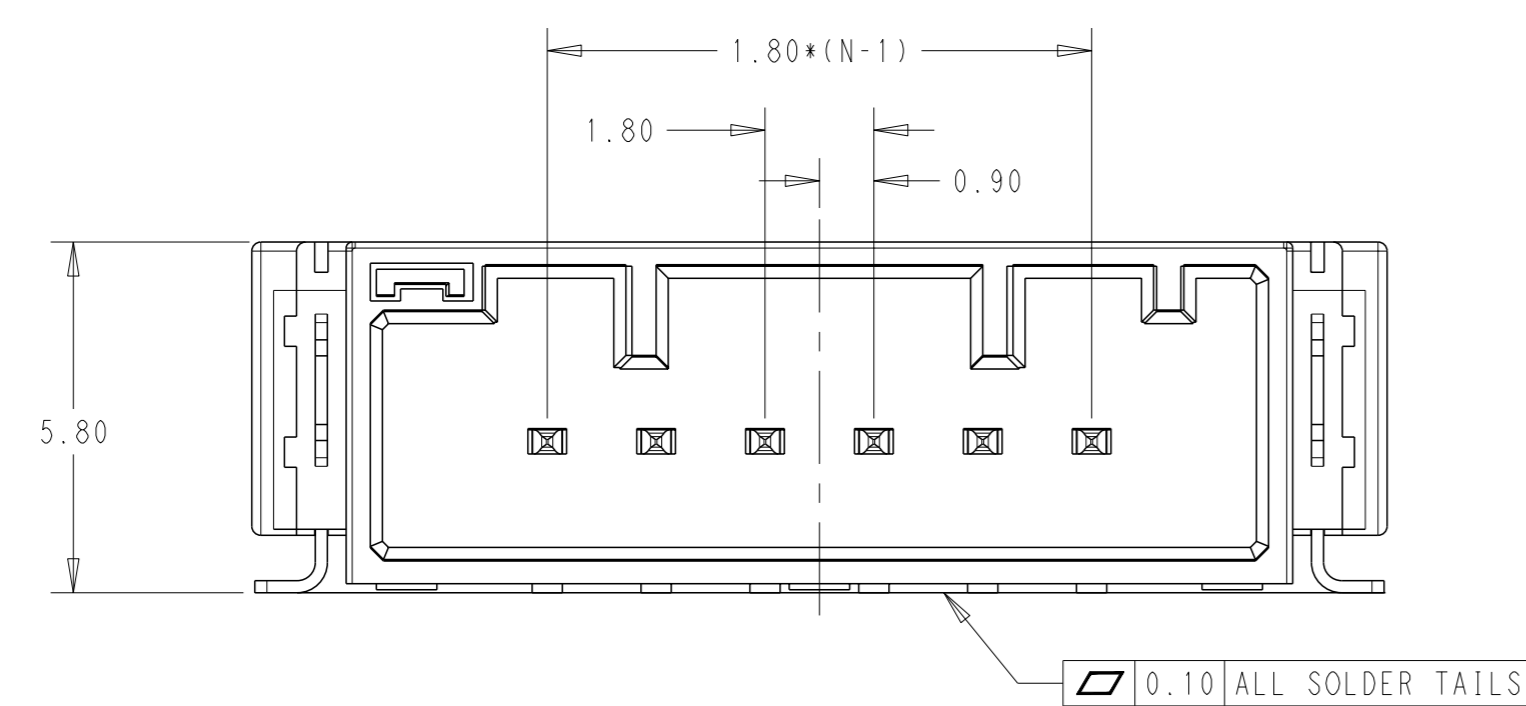
- NOTES :
- MATERIAL:
HOUSING: HIGH TEMPERATURE THERMO PLASTIC.
PIN: COPPER ALLOY.
SOLDER NAIL: SUS.
 - FINISH:
PIN: TIN PLATING OVER NICKEL PLATING OVERALL.
SOLDER NAIL: TIN PLATING OVER NICKEL PLATING OVERALL.
 - PACKAGED IN TAPE AND REEL INSIDE OF CARTON.



2834659-6 AS SHOWN

1-2834659-0	1-2834674-0	10	25.45
2834659-6	2834674-6	6	18.25
2834659-2	2834674-2	2	11.05
BLACK COLOR, X KEY	NATURAL COLOR, X KEY	Position	Dimension A

1-2834682-0	1-2834684-0	10	25.45
2834682-6	2834684-6	6	18.25
2834682-2	2834684-2	2	11.05
BLACK COLOR, Y KEY	NATURAL COLOR, Y KEY	Position	Dimension A



RECOMMEND PCB LAYOUT TOLERANCE: ±0.05mm

DIMENSIONS:		TOLERANCES UNLESS OTHERWISE SPECIFIED:		MATERIAL:		FINISH:		WEIGHT:		CUSTOMER DRAWING	
mm	0 PLC ±	1 PLC ±	2 PLC ±0.25	3 PLC ±	4 PLC ±	ANGLES ±					

THIS DRAWING IS A CONTROLLED DOCUMENT.		OWN FRANK FAN	23JAN2024	TE Connectivity	
		CHK GEORGE FU	23JAN2024		
		APVD MING SHI	23JAN2024	NAME DYNAMIC ULTRA	
		PRODUCT SPEC		1.80MM PITCH SMT TYPE	
		APPLICATION SPEC		108-137690	
		114-137708		SIZE	
		WEIGHT		CAGE CODE DRAWING NO	
		CUSTOMER DRAWING		A 00779 C=C2834659	
		SCALE 5:1		SHEET 1 OF 1	
				REV A3	

单击下面可查看定价，库存，交付和生命周期等信息

[>>TE Connectivity\(泰科\)](#)