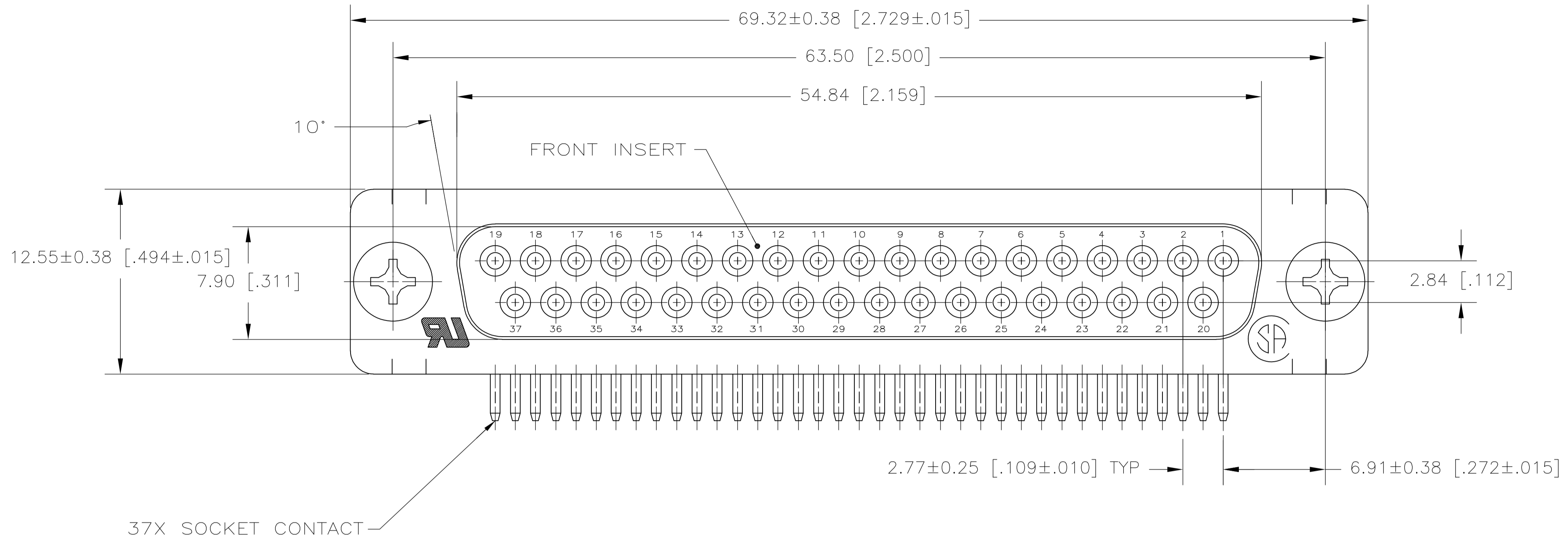
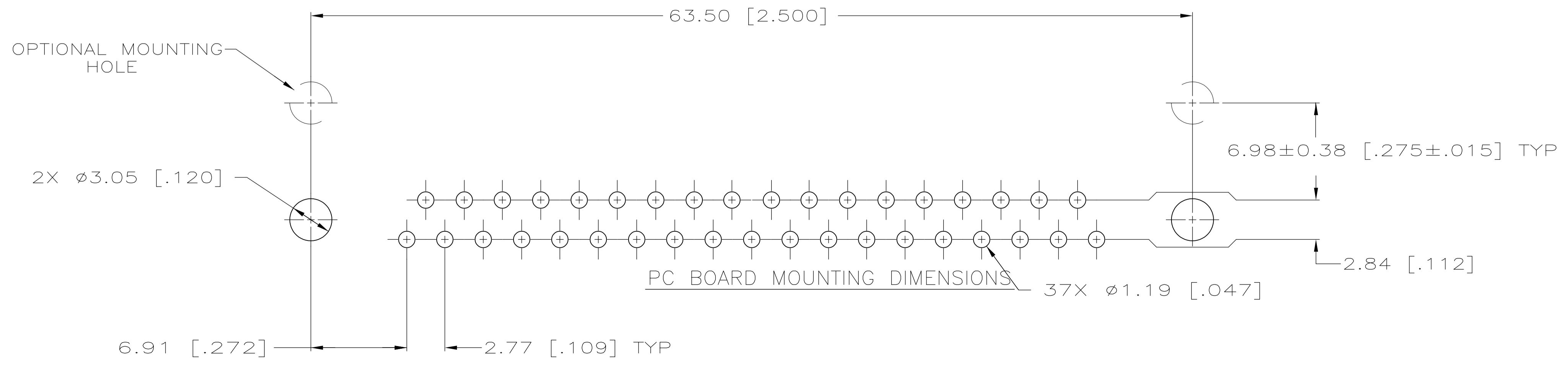
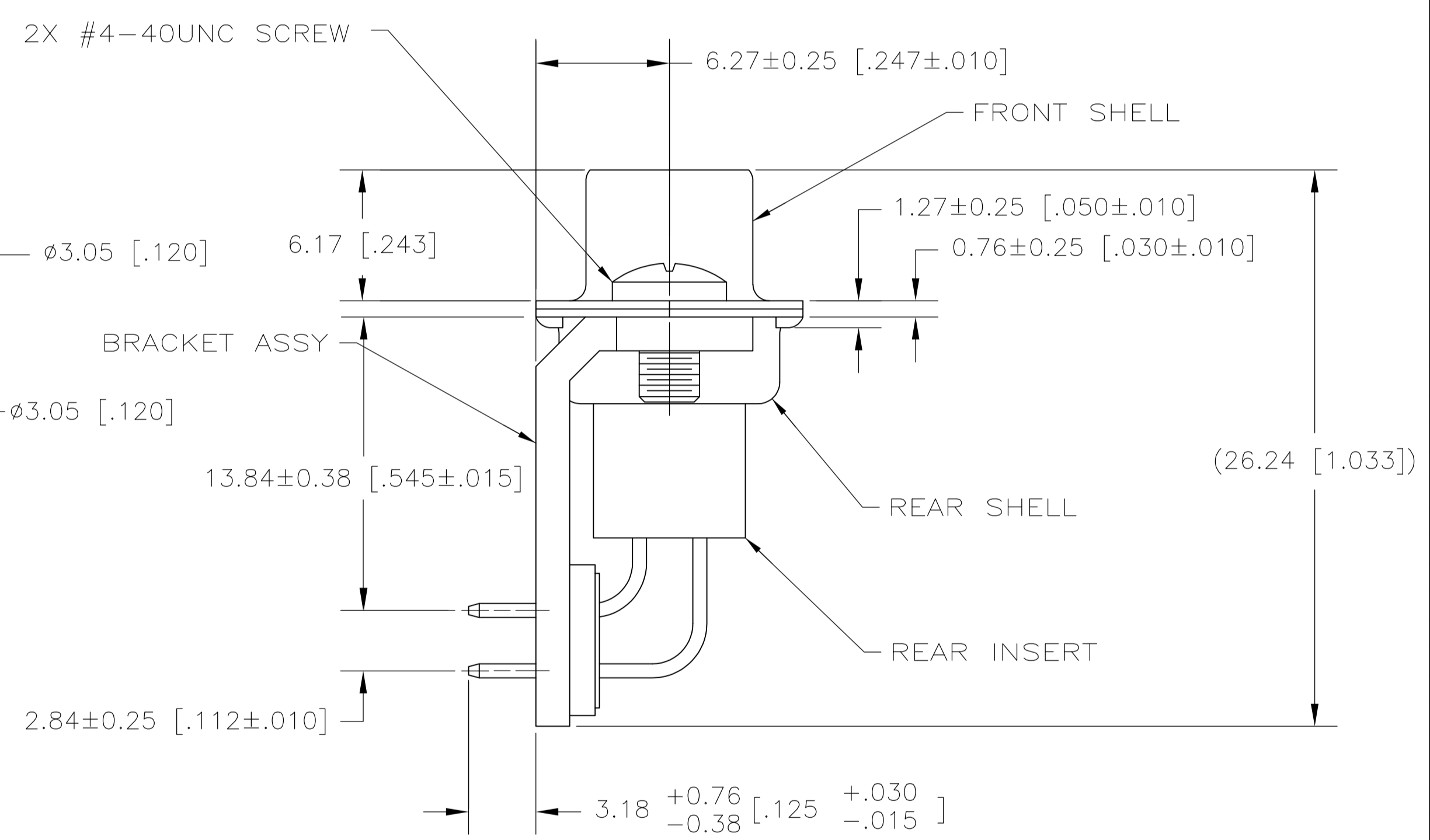
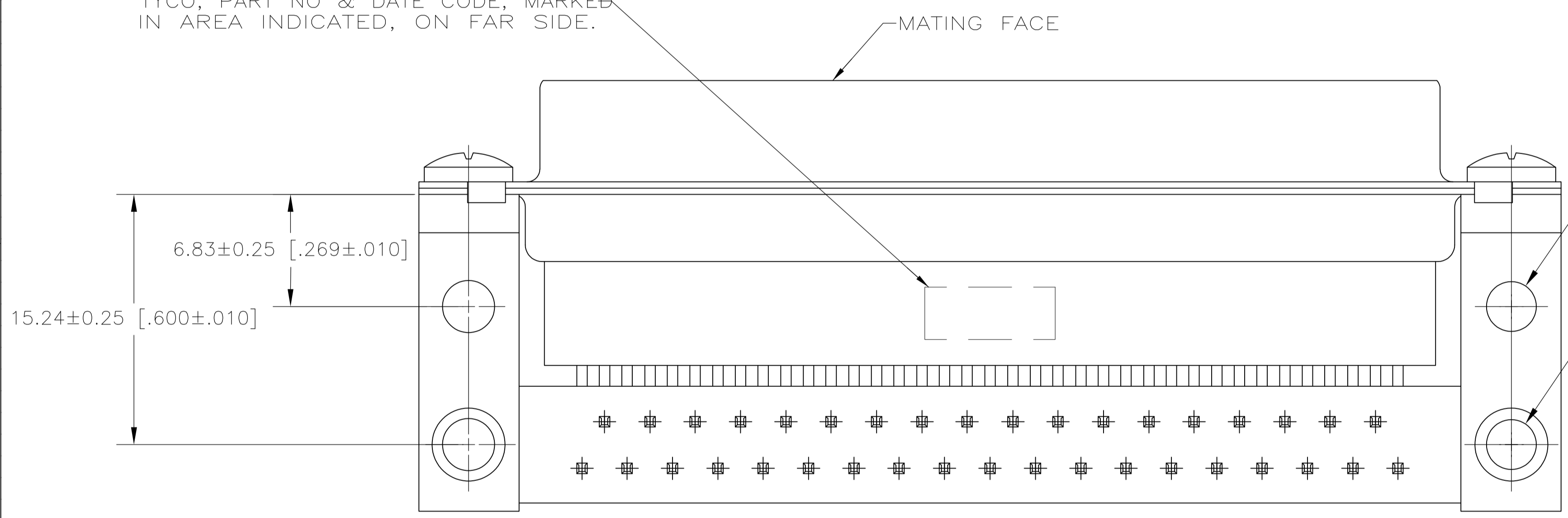


LOC		DIST		REVISIONS			
GP	00	REV	DATE	BY	APP	REV	DATE
B		REVISED PER ECO-14-011808	11AUG2014	AP	SB		



- ⚠ MOLDED PARTS: GLASS-FILLED PBT OR GLASS-FILLED NYLON, UL94V-0 RATED. COLOR: BLACK.
- ⚠ SHELLS & BRACKETS: CARBON STEEL.
- ⚠ CONTACTS: PHOS BRONZE.
- ⚠ SHELLS & BRACKETS: ZINC PLATED YELLOW CHROMATE COATING.
- ⚠ CONTACTS: GOLD FLASH FOR A LENGTH OF 2.54 [100] FROM MATING END, 2.54 m [0.00100] MIN. TIN ON SOLDER END, 1.27 μm [0.00050] MIN. NICKEL ALL OVER.

TYCO, PART NO & DATE CODE, MARKED IN AREA INDICATED, ON FAR SIDE.



5205860-1
PART NUMBER

THIS DRAWING IS A CONTROLLED DOCUMENT. DIMENSIONING AND TOLERANCING PER ASME Y14.5M-2009.		DWG: G. PETERS 14OCT05	REV: S. BOLASH 14OCT05	APPROVED: M. WALMSLEY 14OCT05		NAME: RECEPTACLE ASSY, SIZE 4, 37 POS. RIGHT ANGLE, .545 SERIES, AMPLIMITE HDP	
DIMENSIONS: mm [INCHES]		TOLERANCES UNLESS OTHERWISE SPECIFIED:		PRODUCT SPEC: 108-40025		APPLICATION SPEC: 114-40013	
<ul style="list-style-type: none"> 0. PLC ± - 1. PLC ± - 2. PLC ± -.13[.005] 3. PLC ± - 4. PLC ± - ANGLES ± - 		FINISH: 1		WEIGHT: -		RESTRICTED TO: -	
MATERIAL: 1		FINISH: 2		CUSTOMER DRAWING		SCALE: 4:1 SHEET: 1 OF 1 REV: B	

单击下面可查看定价，库存，交付和生命周期等信息

[>>TE Connectivity\(泰科\)](#)