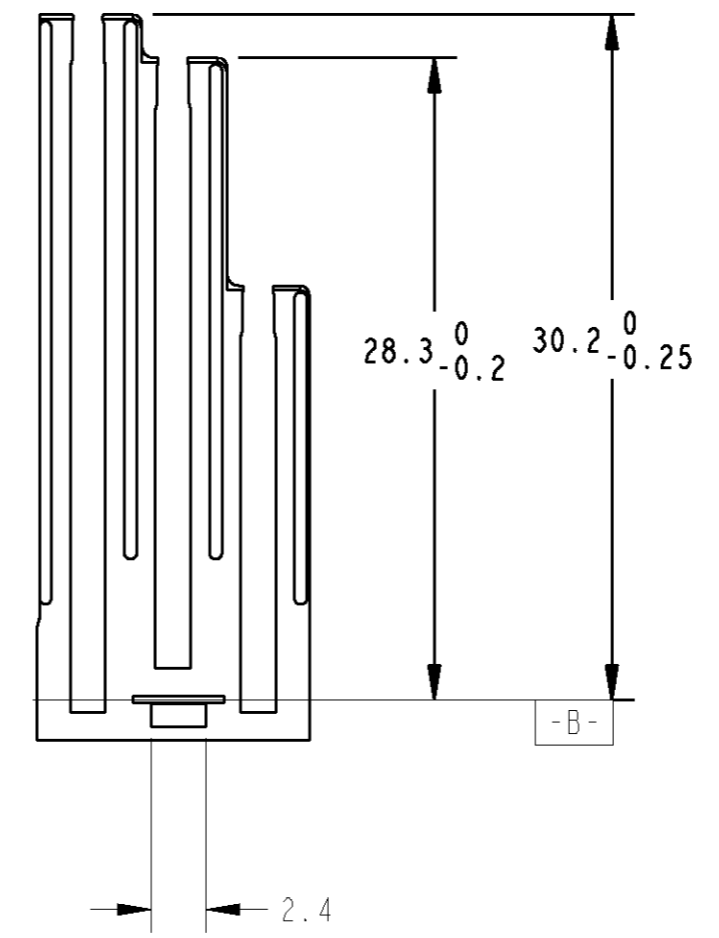
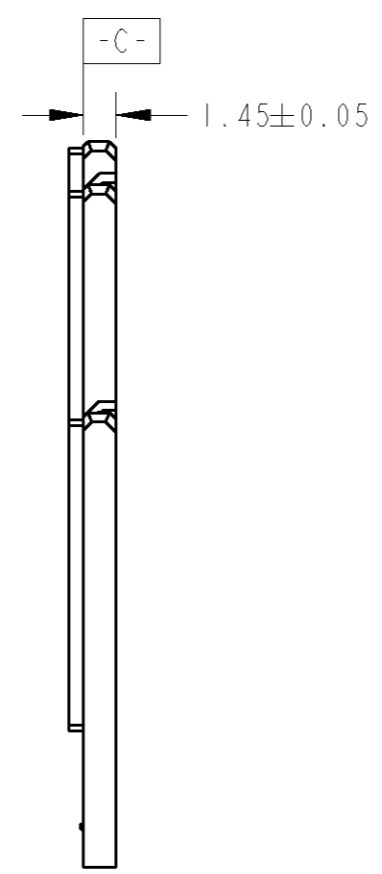
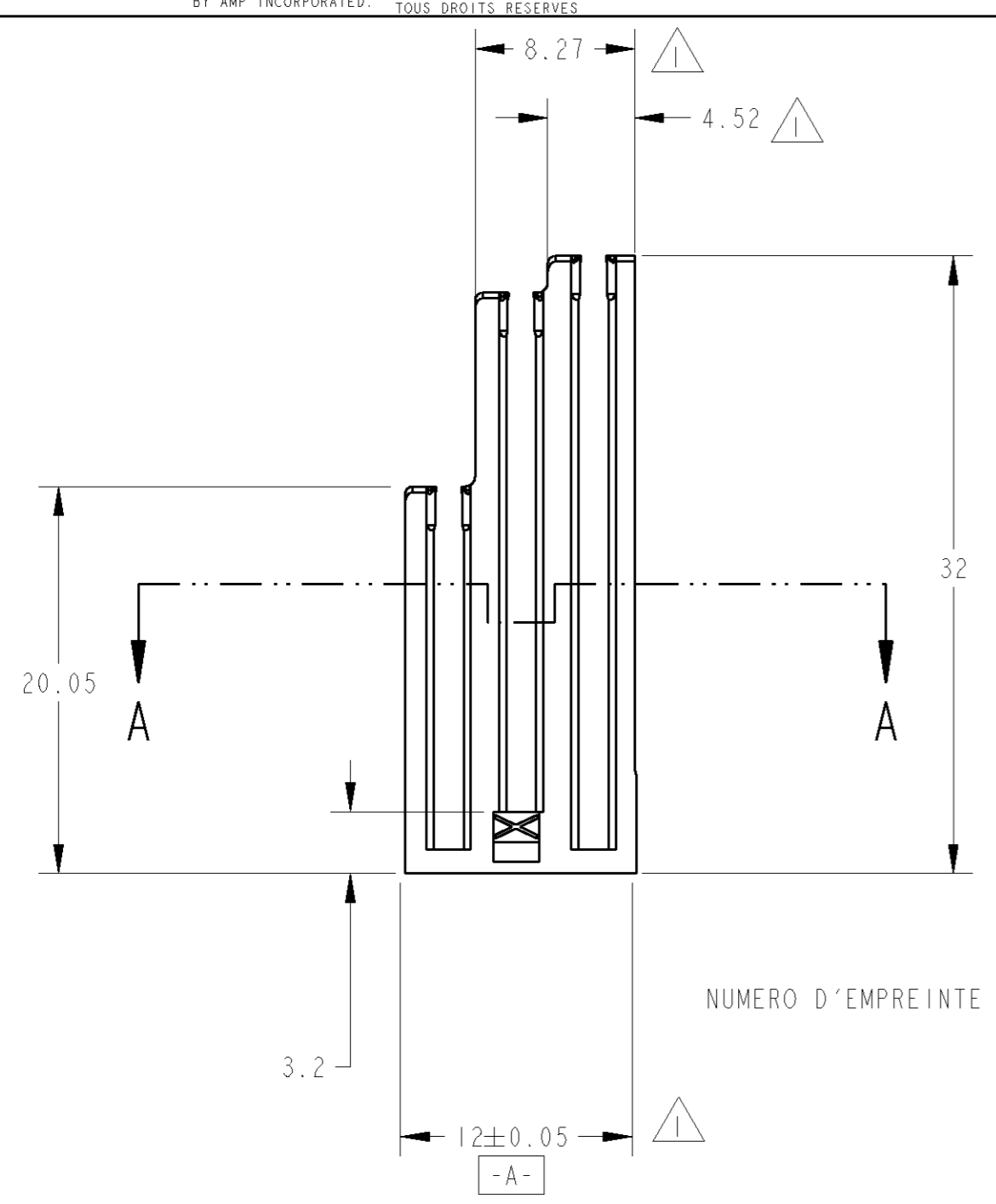
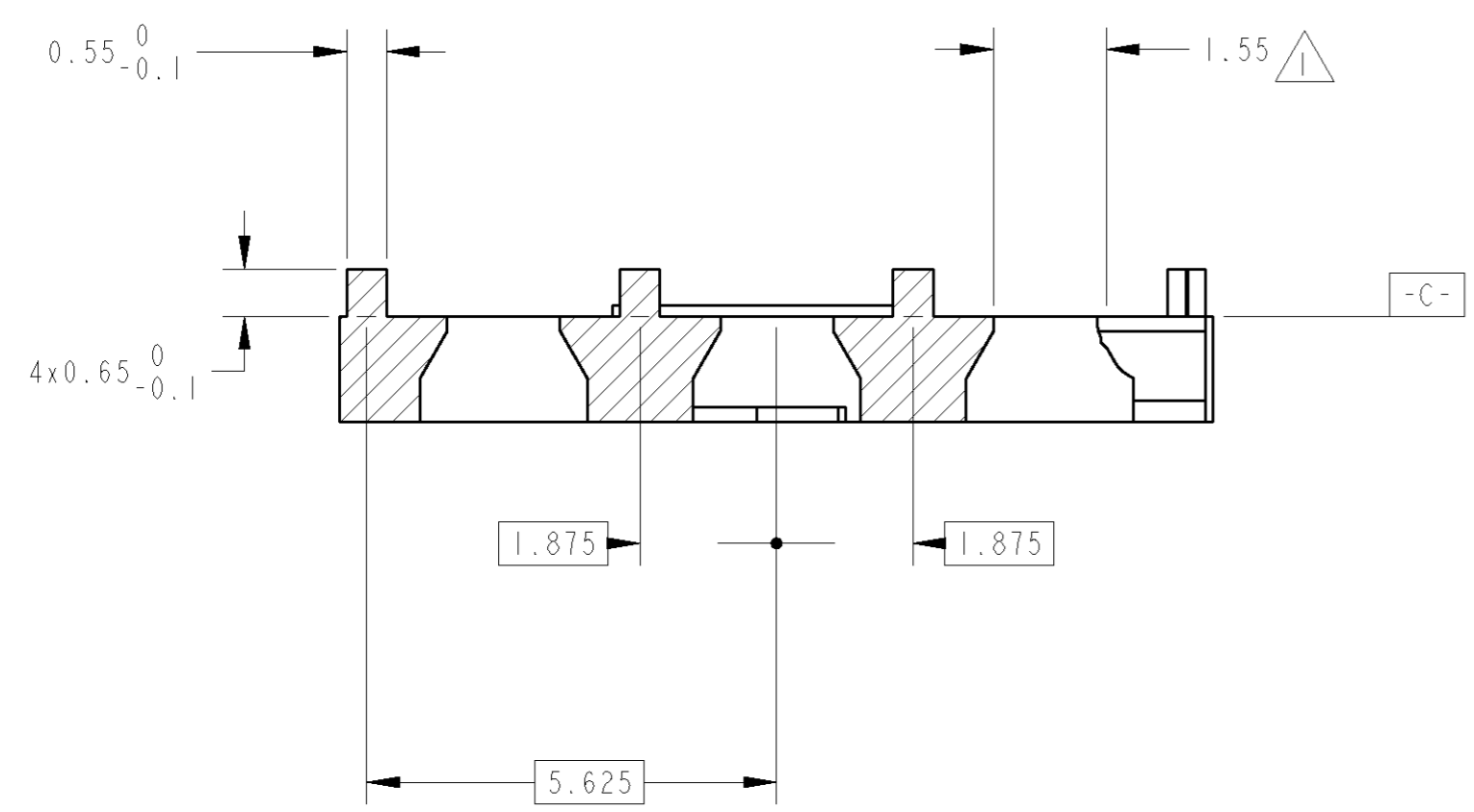


LOC	DIST	REVISIONS					
F	14	P	LTR	DESCRIPTION MODIFICATIONS	DATE	DWN BESS.	APVD APP.
		A		DESIGN CHANGE	21SEP 98	RB	-
		B		YELLOW WAS NATURAL	20-OCT-98	RB	
		C		12±0.05 ETAIT 12 0/-0.15	08-DEC-98	RB	
		D		DESIGN CHANGE	17-JUN-99	JPP	



NUMERO D'EMPREINTE

SECTION A-A
SCALE 10:1



953047-1	PA 6-50% GF	YELLOW
AMP REF.	MATERIAL	COLOR
953047-1	PA 6-50% FV	JAUNE
REF. AMP	MATIERE	COULEUR

ADMISSIBLE NIPPING 0.6 PINCEMENT ADMISSIBLE 0.6

<small>THIS DRAWING IS A CONTROLLED DOCUMENT FOR AMP INCORPORATED. IT IS SUBJECT TO CHANGE AND THE CONTROLLING ENGINEERING ORGANIZATION SHOULD BE CONTACTED FOR THE LATEST REVISION. CE PLAN EST UN DOCUMENT CONTRÔLÉ PAR AMP INCORPORATED. IL EST SUSCEPTIBLE D'ÊTRE REVISÉ. CONTACTER LE SERVICE TECHNIQUE D'AMP DE FRANCE POUR OBTENIR LA DERNIÈRE REVISION.</small>		DWN / DESSINE 9-jan-98 Regis BONNET CHK / VERIFIE jan-98 JP. PICAUD APVD / APPROUVE jan-98 JJ REVII		NAME TITRE MT SECONDARY LOCK FOR 31 WAYS HYBRID TIMER CONNECTOR VERROU SECONDAIRE MT POUR CONNECTIQUE 31 VOIES TIMER HYBRIDE	
DIMENSIONS: mm		TOLERANCES UNLESS OTHERWISE SPECIFIED: TOLERANCES NON SPECIFIEES (SILLY NR DE DECIMALES) ± ±0.2 ± ANGLES FINISH FINITION ±5°		PRODUCT SPEC 108-15172 SPEC. APPLICATION 411-15599 WEIGHT MASSE APPROX. 0.3gr SIZE FORMAT A2 CAGE CODE 00779 DRAWING NO No PLAN No PLAN DRAWING NO C-953047	
MATERIAL MATIERE SEE TABLE		CUSTOMER DRAWING / PLAN CLIENT		RESTRICTED TO RESERVE A - UNIFORMEMENT POUR REFERENCE SCALE ECHELLE 3:1 SHEET FEUILLE OF DE REV D	

单击下面可查看定价，库存，交付和生命周期等信息

[>>TE Connectivity\(泰科\)](#)