

LOC J	DIST /	REVISIONS			
P	LTR	DESCRIPTION	DATE	DWN	APVD
	R	REDRAWN W/OBSOLETE (ECR-11-012674)	30JUN2011	T.T	T.M


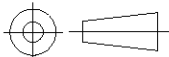
SEE DWG NO 1318300

RELEASED FOR PUBLICATION

ALL RIGHTS RESERVED.

THIS DRAWING IS UNPUBLISHED.

© COPYRIGHT - By -

DIMENSIONS: mm	DWN T.TSUZAKI	30JUN2011	MATERIAL	FINISH
	CHK T.MASUDA	30JUN2011	 TE Connectivity	
TOLERANCES UNLESS OTHERWISE SPECIFIED:	APVD T.MASUDA	30JUN2011		
0 PLC ±	PRODUCT SPEC		NAME TUBE PACKING 7.92mmPITCH	
1 PLC ±	APPLICATION SPEC		ECONOMY POWER (EP) CONN. HEADER ASS'Y	
2 PLC ±			SIZE	CAGE CODE
3 PLC ±			A4	00779
4 PLC ±			DRAWING NO	RESTRICTED TO
ANGLES ±			C-1318301	-
	WEIGHT		CUSTOMER DRAWING	SCALE
				SHEET 1 OF 1
				REV R

单击下面可查看定价，库存，交付和生命周期等信息

[>>TE Connectivity\(泰科\)](#)