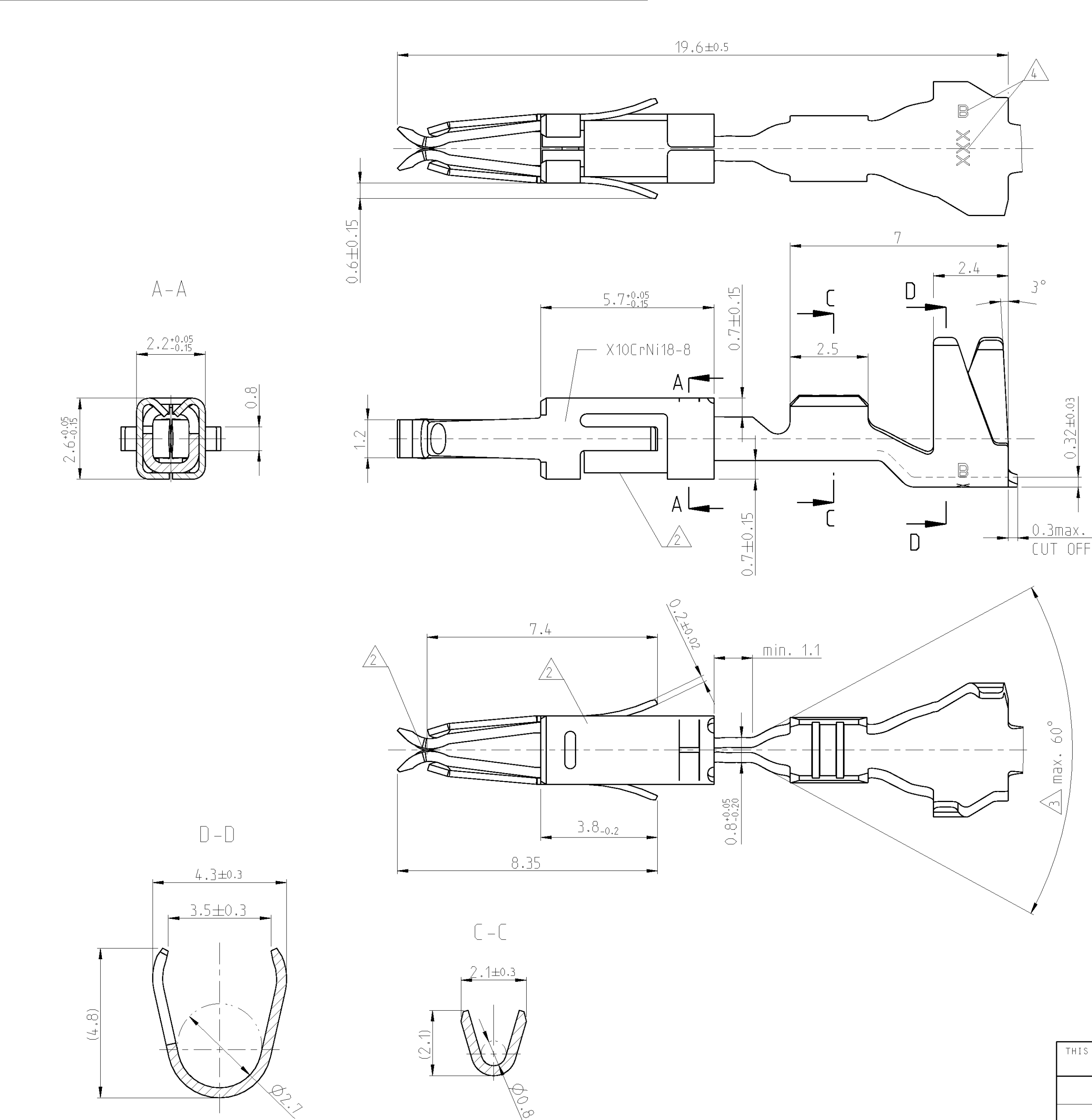


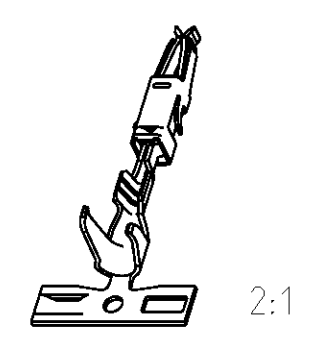
THIS DRAWING IS UNPUBLISHED. RELEASED FOR PUBLICATION 2009
 © COPYRIGHT 2009 Tyco Electronics AMP GmbH ALL RIGHTS RESERVED.

| REVISIONS | | | | | | | |
|-----------|------|----|-----|--|-----------|------|------|
| LOC | DIST | P | LTR | DESCRIPTION | DATE | DWN | APVD |
| A1 | - | | | | | | |
| | | B1 | | Zeichnung ueberarbeitet, vorlauefig entfernt | 21MAR1997 | Bers | |
| | | B2 | | Verarbeitungshinweis ergaenzt | 09JUN1997 | Scha | |
| | | B3 | | Dimple angepasst | 05MAY2006 | Abr | |
| | | B4 | | NEW PROE DRAWING, Part 968045-6 obsolete | 07JUN2011 | Kirs | Mair |



NOTES:
Bemerkungen:

- 1 CONTACT BODY ALLAROUND TINNED MIN. 0.8µm
Kontaktkoerper allseitig verzinnt min. 0.8µm
SPRING PLAIN
Ueberfeder blank
- 2 CONTACT BODY GALV. NICKEL MIN. 0.2µm
Kontaktkoerper galv. vernickelt min. 0.2µm
PREFORMED CONTACT AREA OUTSIDE GALV. GOLD MIN. 0.8µm
OVER GALV. NICKEL MIN. 1.3µm
vorgeformte Kontaktzone aussen galv. vergoldet min. 0.8µm ueber
galv. vernickelt min. 1.3µm
PREFORMED CONTACT AREA INSIDE GALV. TINNED MIN. 1µm
OVER GALV. NICKEL MIN 1.3µm
vorgeformte Kontaktzone innen galv. verzinnt min. 1µm
ueber galv. vernickelt min. 1.3µm
CONTACT BODY OUTSIDE GALV. GOLD MIN. 0.8µm
OVER GALV. NICKEL MIN 1.3µm
Kontaktkoerper aussen galv. vergoldet min. 0.8µm
ueber galv. vernickelt min. 1.3µm
WIRE CRIMP ZONE GALV. TINNED MIN. 1µm
Drahtcrimpzone galv. verzinnt min. 1µm
SPRING GALV. GOLD MIN. 0.5µm
Ueberfeder galv. vergoldet min. 0.5µm
- 3 TRANSITION LIES WITHIN THIS ANGLE
MEASURED STARTING FROM NOMINAL DIMENSION
Uebergang liegt innerhalb dieses Winkels
gemessen ab Nennmass
- 4 LETTER FOR REVISION STATE AND COMPANY LOGO
Buchstabe fuer Aenderungsstand und Firmenlogo
- 5 MATED WITH TAB 1.6x0.6
steckbar mit Flachstecker 1.6x0.6
- 6 WIRE RANGE 0.2 - 0.5 mm² FLR
INSULATIONØ 1.2 - 1.6 mm
Drahtgroessenbereich 0.2 - 0.5 mm² FLR
IsolationsØ 1.2 - 1.6 mm
- 7 SINGLE WIRE SEAL PN 964971-1
Einzelleiterdichtung PN 964971-1



| | | | | |
|----------|----------|---------|----------|---|
| 968046-2 | CuFe2 | 1 | 968045-2 | B |
| 968046-1 | CuSn4 | 1 | 968045-1 | B |
| LP NO | MATERIAL | PART NO | REV | |

THIS DRAWING IS A CONTROLLED DOCUMENT.

| | | | |
|-------------|--|------------------|-----------|
| DIMENSIONS: | TOLERANCES UNLESS OTHERWISE SPECIFIED: | DWN | 11NOV1994 |
| mm | 0-PLC ± | CHK | 11NOV1994 |
| | 1-PLC ± | APVD | 17APR2009 |
| | 2-PLC ± | PRODUCT SPEC | |
| | 3-PLC ± | APPLICATION SPEC | |
| | 4-PLC ± | 114-18081 | |
| | ANGLES ±° | WEIGHT | 2.8 g |
| | FINISH | CUSTOMER DRAWING | |

NAME: MICRO TIMER II CONTACT A

SIZE: A2 CAGE CODE: 00779 DRAWING NO: C-968045 RESTRICTED TO: -

SCALE: 10:1 SHEET: 1 OF 1 REV: B4

单击下面可查看定价，库存，交付和生命周期等信息

[>>TE Connectivity\(泰科\)](#)