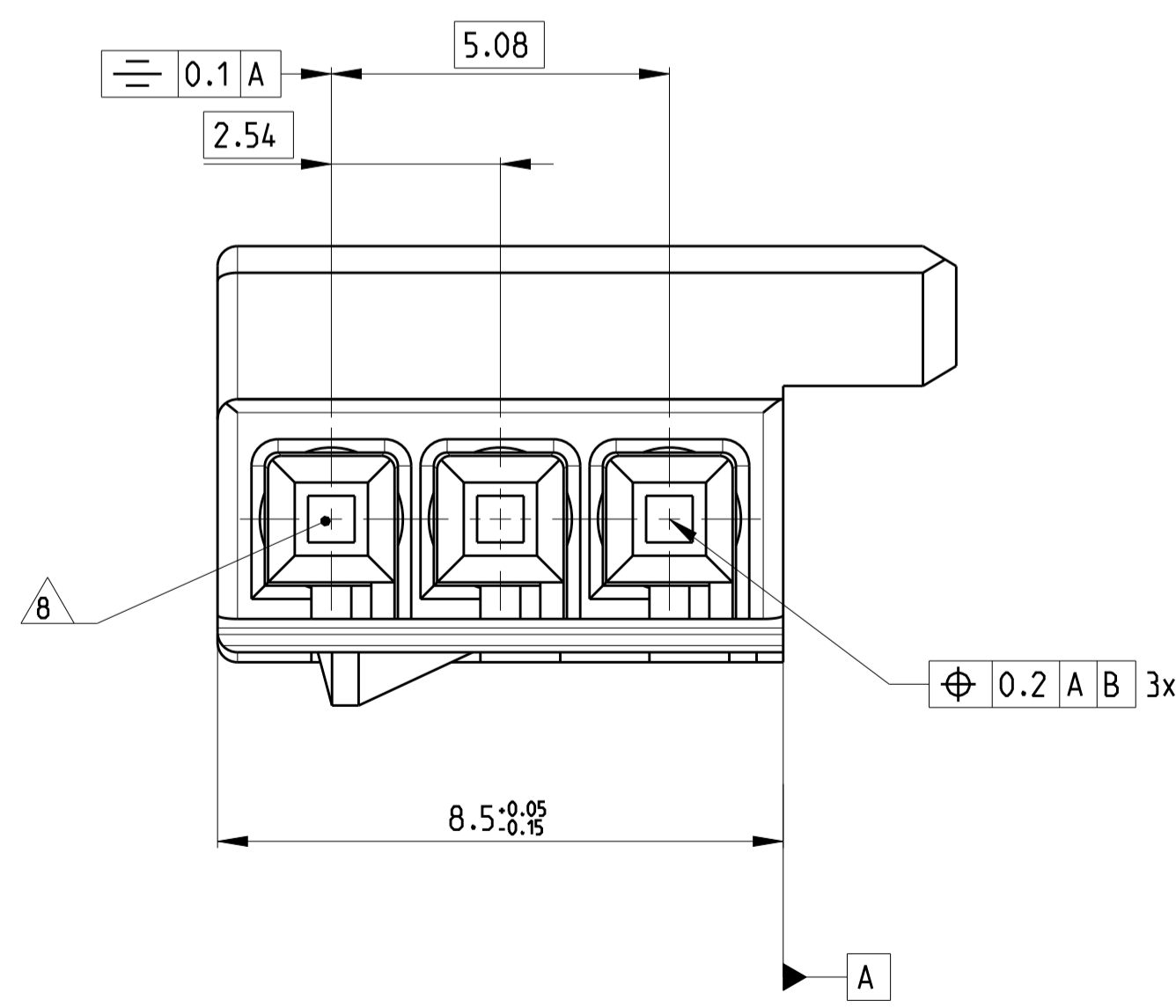
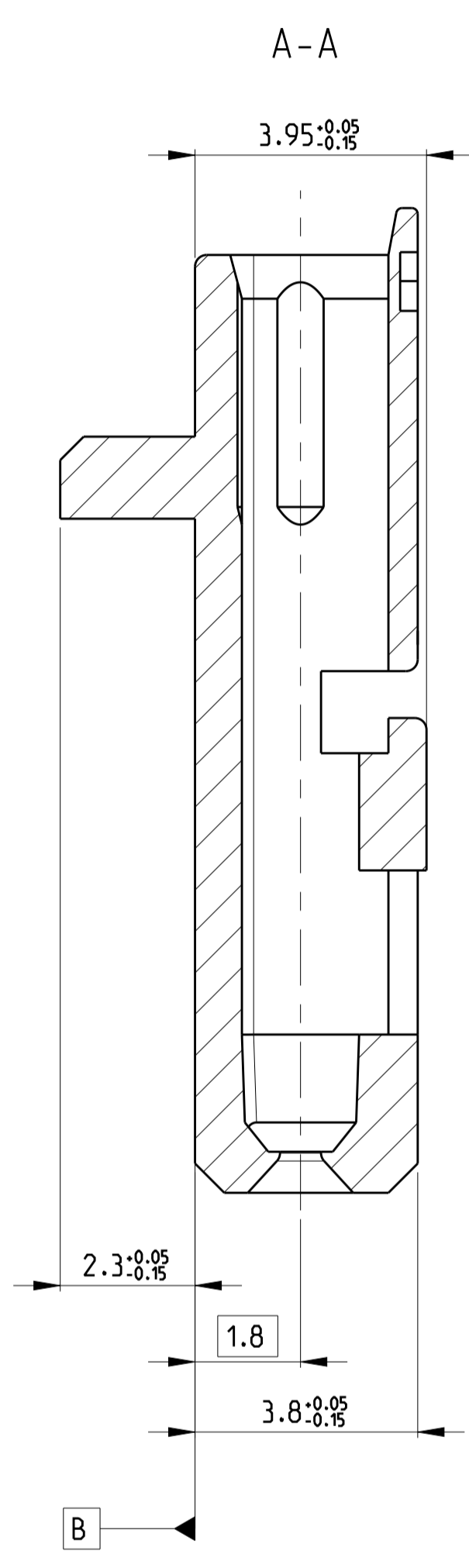
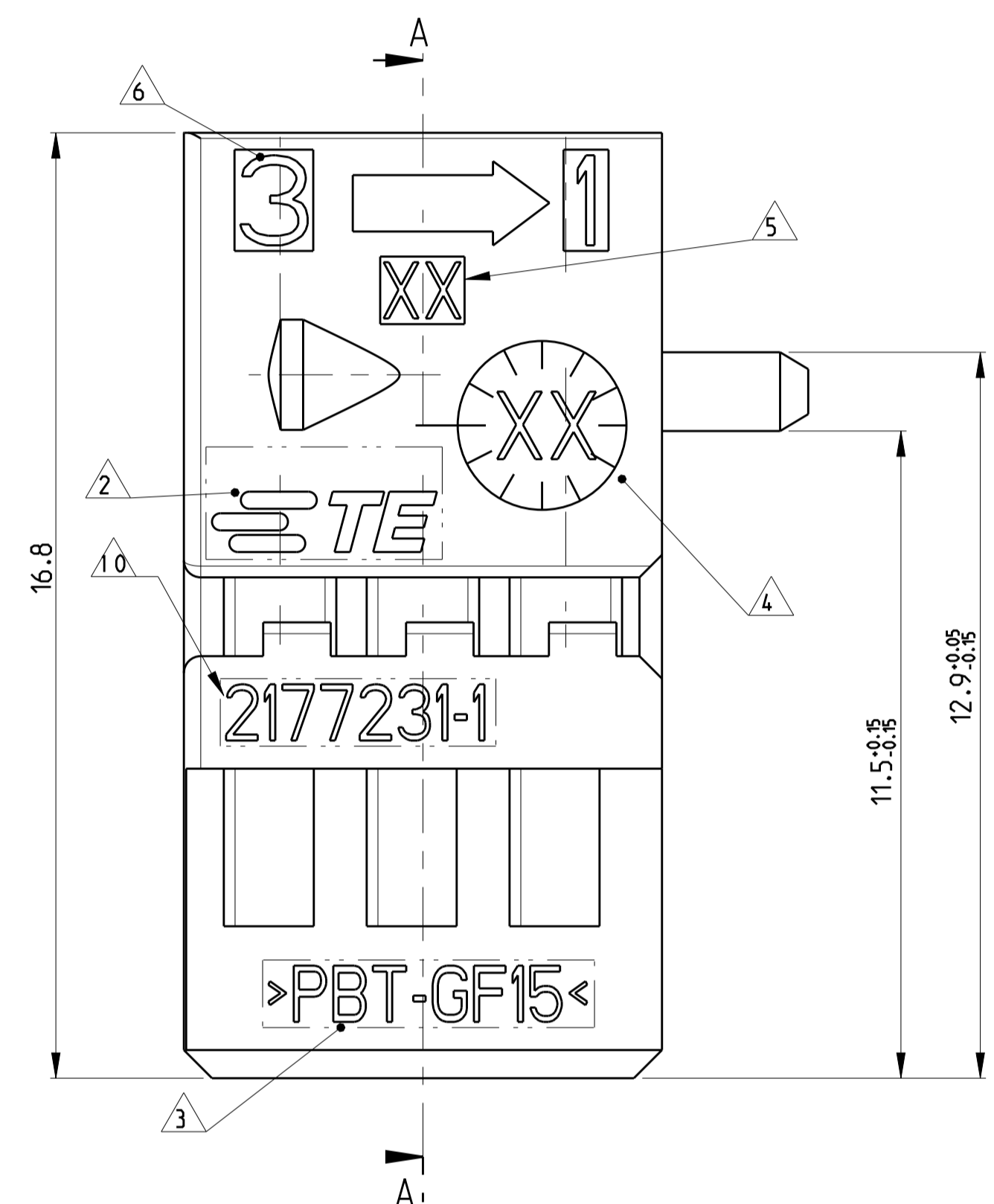
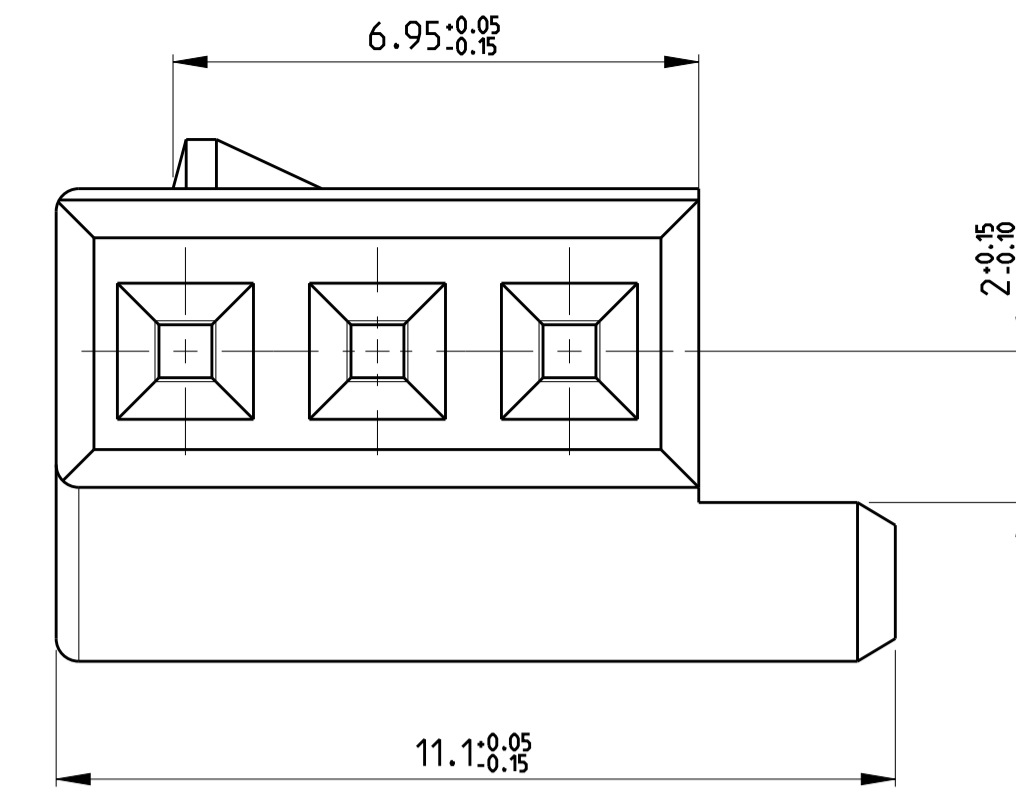
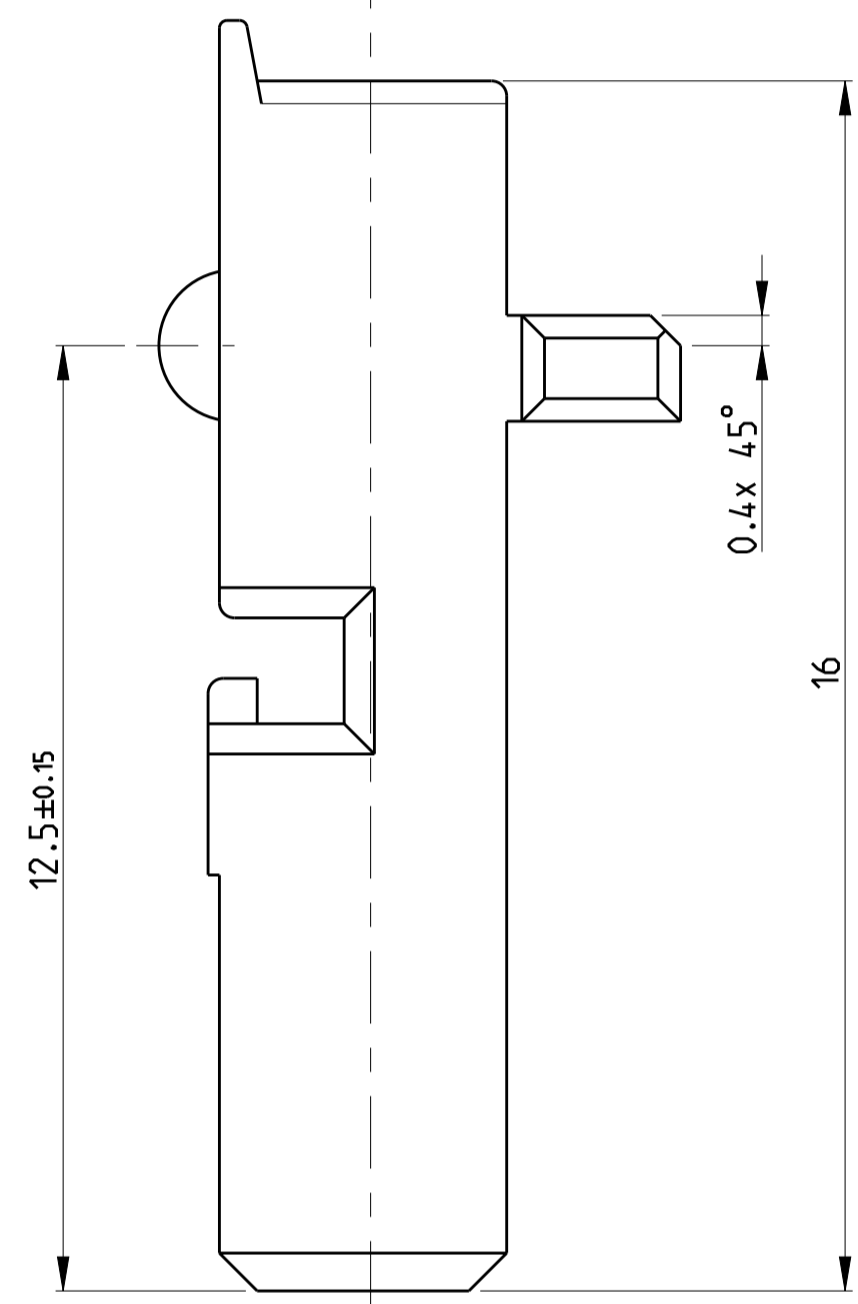
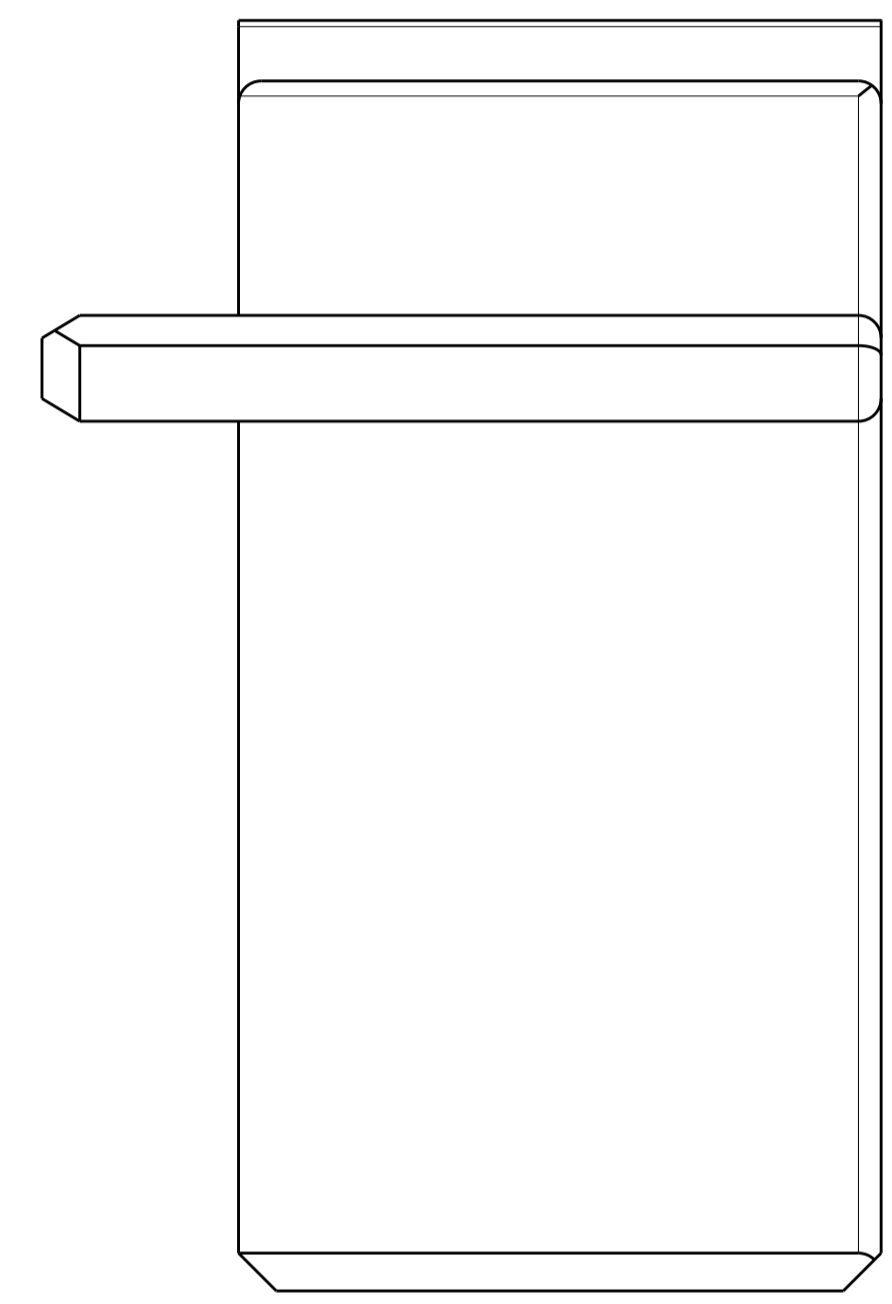
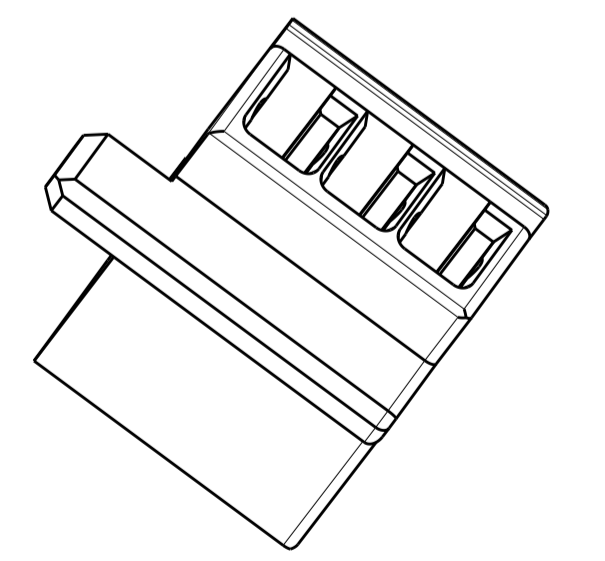
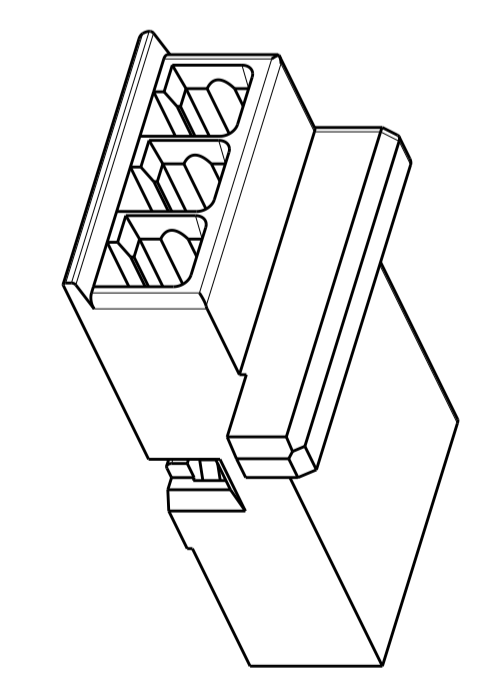


LOC	DIST	REVISIONS					
		P	LTR	DESCRIPTION	DATE	DWN	APVD
		2		PRELIMINARY ISSUE	18MAY2011	M.P.	M.G.
		3		REVISED	06DEC2011	M.P.	M.G.
		4		REVISED	11OCT2012	M.B.	M.B.
		5		REVISED	16OCT2012	M.B.	M.B.
		6		REVISED	2/11/2012	AW	AW
		A		RELEASED TO ECO 13-003094	2/27/2012	M.B.	M.B.



NOTES

- 1 CODING A AS SHOWN
- 2 SUPPLIER-MARK
- 3 MATERIAL IDENTIFICATION
- 4 DATE INSERT
- 5 MOLD CAVITY MARKING
- 6 CAVITY NUMBER
- 7 SUPPLIED FORM: LOOSE PIECE IN CORRUGATED SHIPPING BOX
- 8 CAVITIES SUITABLE FOR TE MQS CONTACTS LISTED ON DRAWING 929454. USUAL APPLICATION VERSION
- 9 SUITABLE SHIELD PN: 2177196
- 10 TE PART NUMBER
- 11 OPTIONAL CODE REV LEVEL



5:1

DESCRIPTION	MASS [kg]	COD	TE ORDER-NO.	REV	MATERIAL	SURFACE/COLOUR
SOCKET HOUSING, 3POS., MQS	0.001	A	2177231-1	1	PBT-GF15	BLACK

THIS DRAWING IS A CONTROLLED DOCUMENT.

DIMENSIONS:	TOLERANCES UNLESS OTHERWISE SPECIFIED:	DWN	M. POLIZZI	18MAY2011
mm	0 PLC ±.15	CHK	M. GURLINO	18MAY2011
	1 PLC ±.10	APVD	A. GENTA	18MAY2011
	2 PLC ±.10	NAME	SOCKET HOUSING, 3POS., MQS	
	3 PLC ±.10	PRODUCT SPEC	SOCKET HOUSING, 3POS., MQS	
	4 PLC ±.	APPLICATION SPEC	108-20320	
	ANGLES ±°	SIZE	CAGE CODE	DRAWING NO
	FINISH ±°	WEIGHT	SEE TABLE	A1 00779
MATERIAL	SEE TABLE	Customer Drawing	SCALE	5:1

Customer Drawing SCALE 5:1 SHEET 1 OF 1 REV A

单击下面可查看定价，库存，交付和生命周期等信息

[>>TE Connectivity\(泰科\)](#)