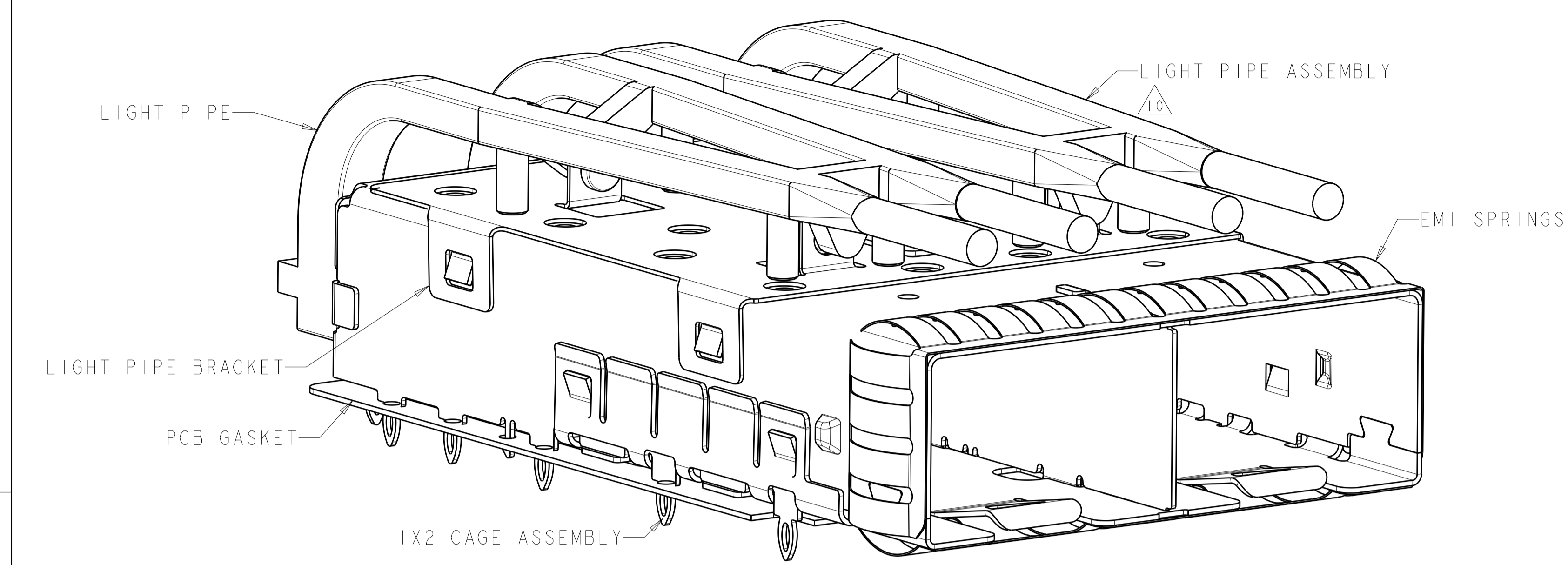
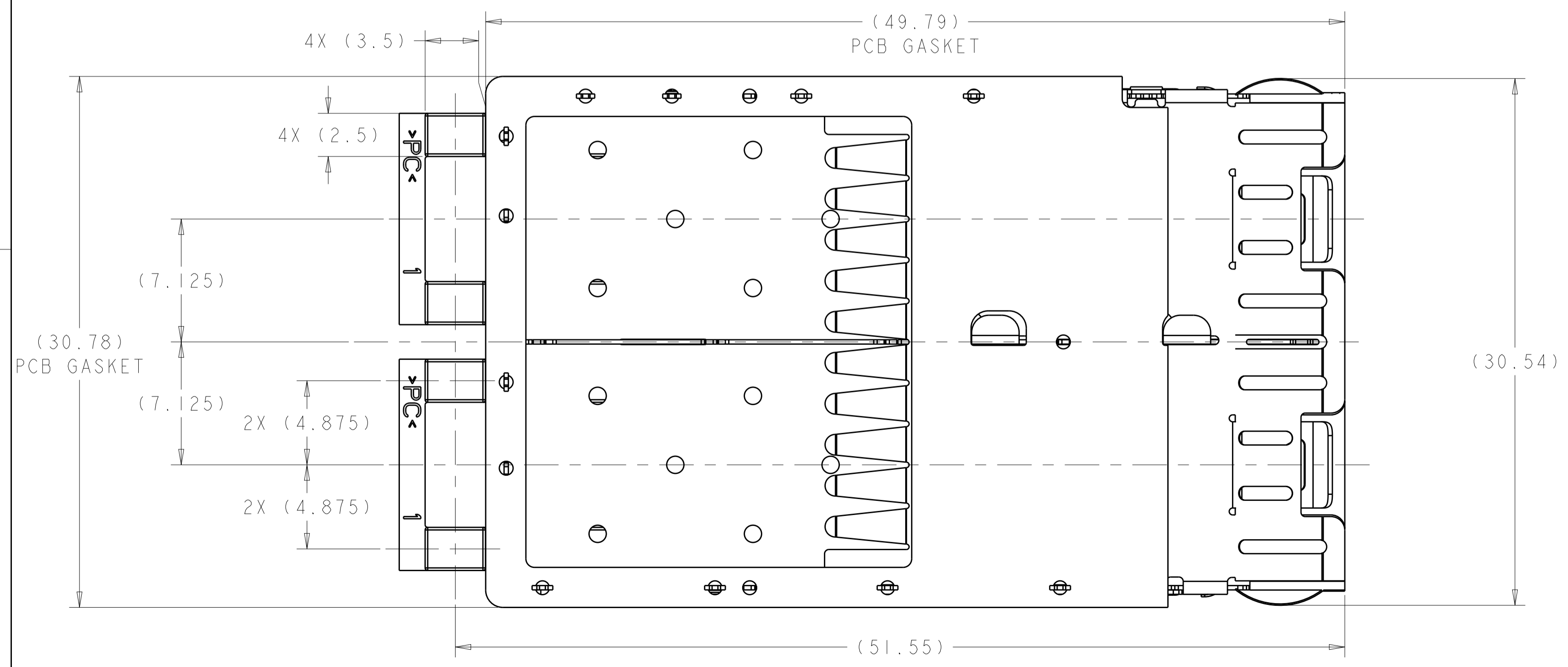
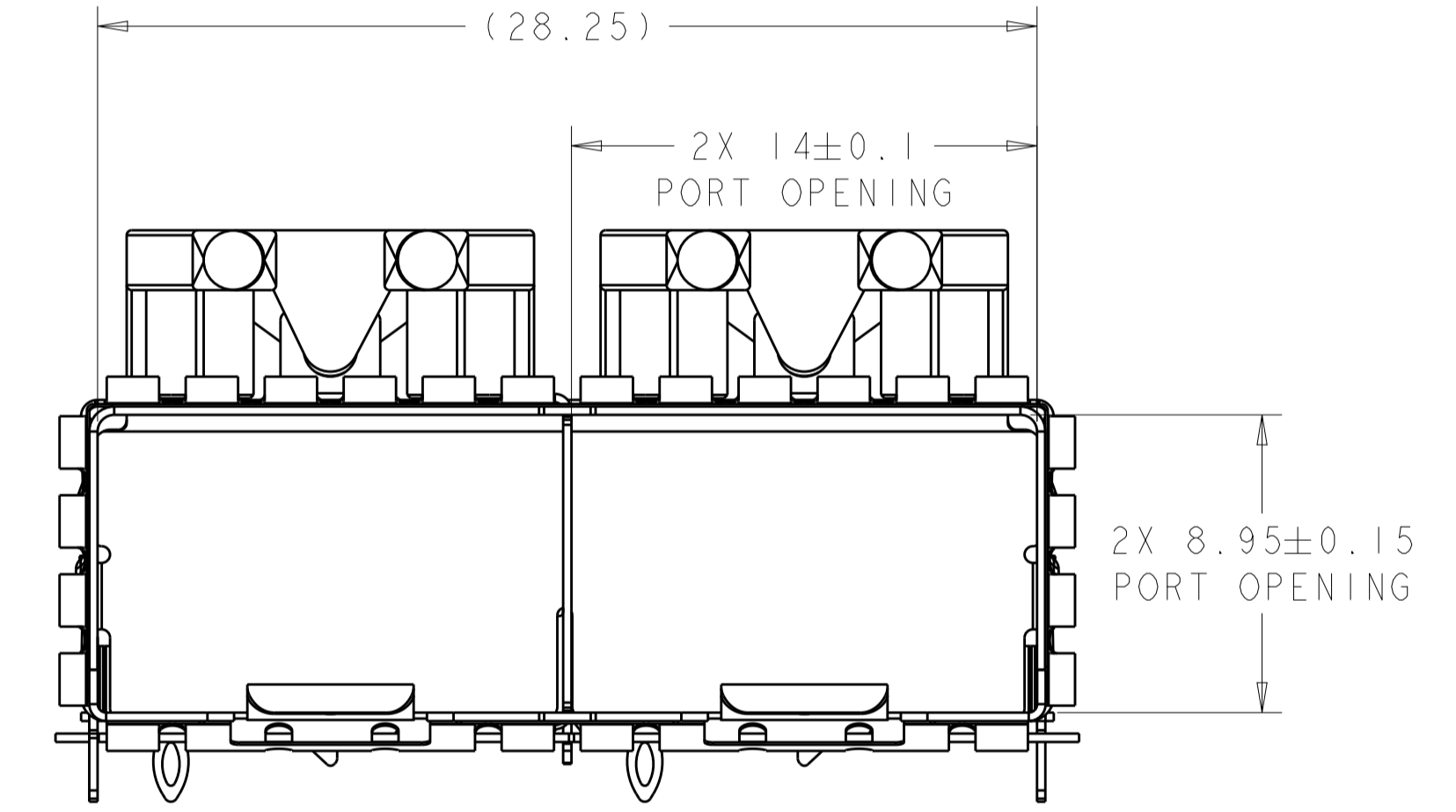
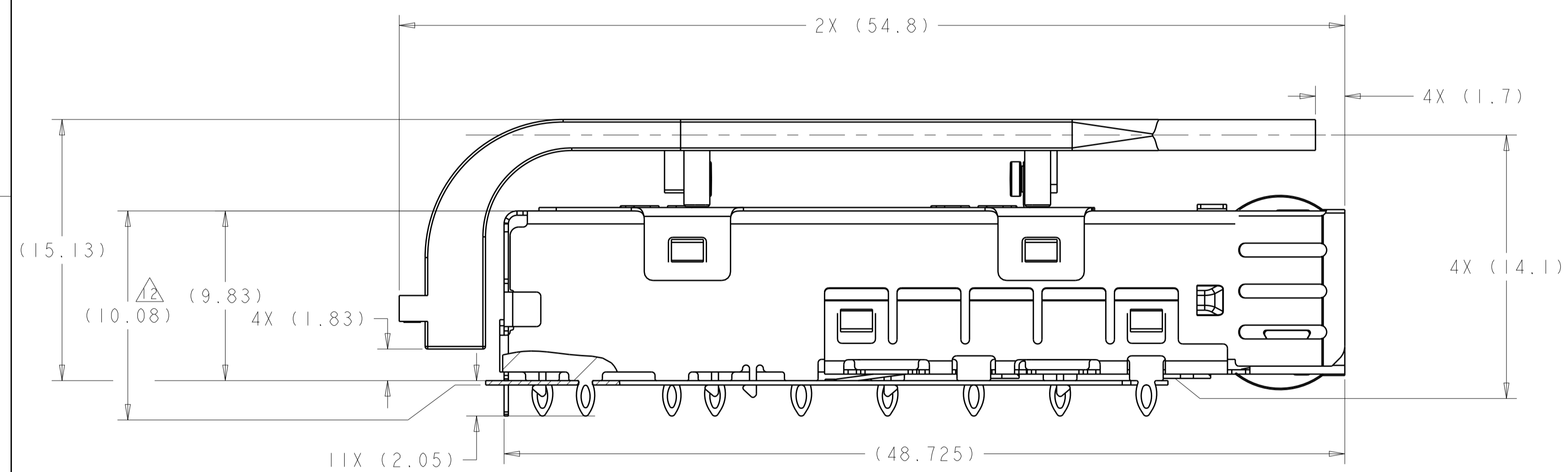


| LOC | DIST | REVISIONS | | | | | |
|-----|------|-----------|-----|---------------------------|-----------|-----|------|
| GP | 00 | P | LTN | DESCRIPTION | DATE | DWN | APVD |
| | | A | | REVISED PER ECO-15-002647 | 05MAR2015 | AP | MS |
| | | B | | REVISED PER ECO-16-014593 | 13FEB2017 | JW | SH |



2227727-1
 SCALE 6:1

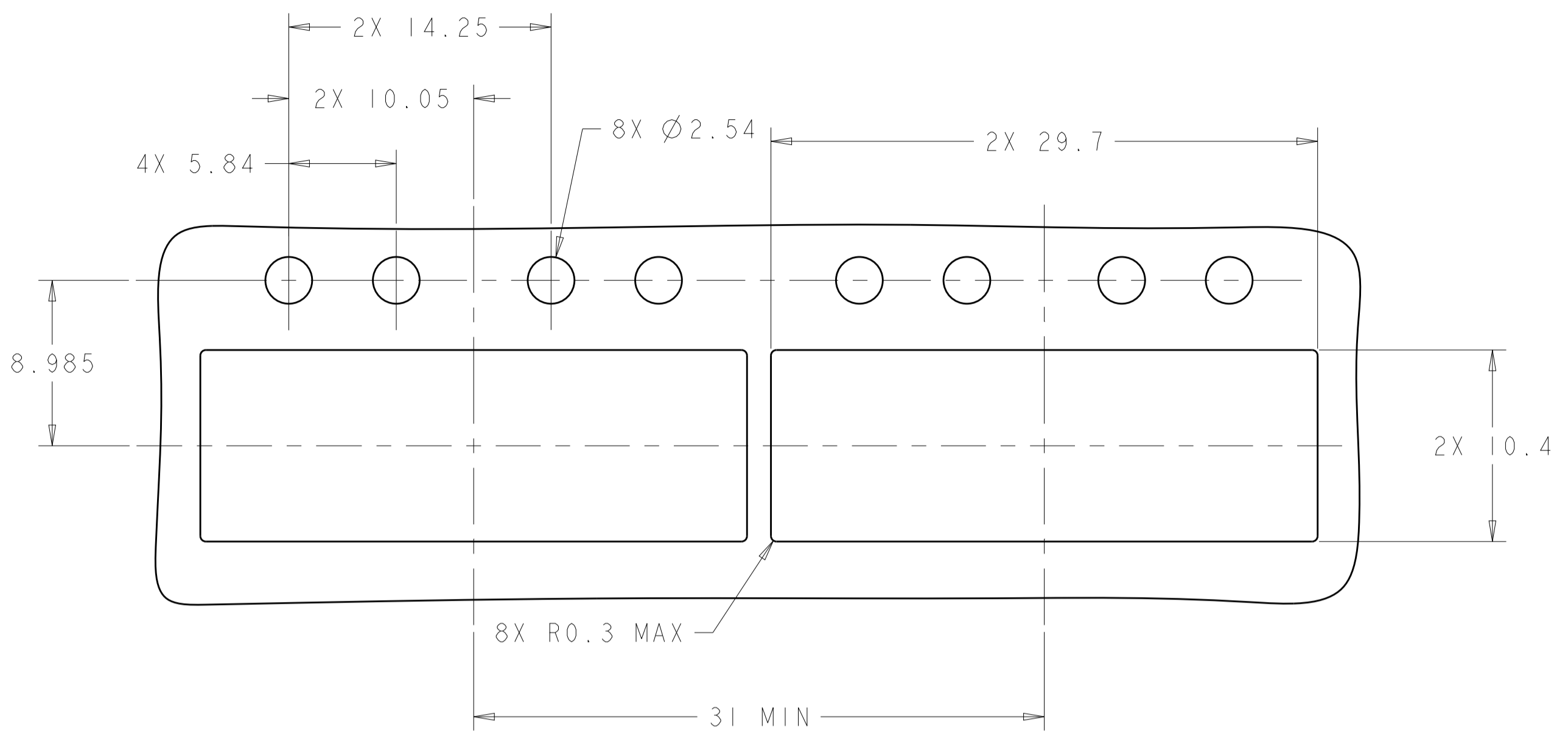
- 1 MATERIAL:
 CAGE ASSEMBLY: NICKEL SILVER ALLOY, (0.25mm)
 PCB GASKET: RF ABSORBER
 EMI SPRINGS: PHOSPHOR BRONZE
 LIGHT PIPE BRACKET: STAINLESS STEEL
 LIGHT PIPE: POLYCARBONATE, CLEAR
- 2 MINIMUM PC BOARD THICKNESS:
 SINGLE SIDE = 1.45mm
 BELLY TO BELLY = 2.25mm
- 3 PADS AND VIAS CHASSIS GROUND
- 4 DATUM AND BASIC DIMENSION ESTABLISHED BY CUSTOMER
- 5. MATES WITH SFP MSA COMPLIANT TRANSCEIVERS
- 6. INTERPRETATION OF DATUM REFERENCE FRAME IN ACCORDANCE WITH SECT 4.4.1.1 OF ASME Y14.5M-1994
- 7 REFERENCE APPLICATION SPEC. 114-13120, HOLE A, FOR RECOMMENDED DRILL HOLE DIAMETER AND PLATING THICKNESS
- 8 REFERENCE APPLICATION SPEC. 114-13120, HOLE B, FOR RECOMMENDED DRILL HOLE DIAMETER AND PLATING THICKNESS
- 9 HOLE PATTERN REPEATS FOR EACH PORT, SPACING BETWEEN PORTS IS 14.25mm
- 10 LIGHT PIPE ASSEMBLY SHIPPED UNASSEMBLED TO CAGE ASSEMBLY, CAGE ASSEMBLY TO BE PRESSED INTO THE PCB PRIOR TO ATTACHING LIGHT PIPE ASSEMBLY TO CAGE
- 11. PRODUCT COMPLIES WITH SPECIFICATION SFF-8433, IMPROVED PLUGGABLE FORM FACTOR FOR SFP+ GANGED CAGES
- 12 CONTACT STANDOFF WILL PIERCE GASKET WHEN PROPERLY PRESSED INTO PCB.



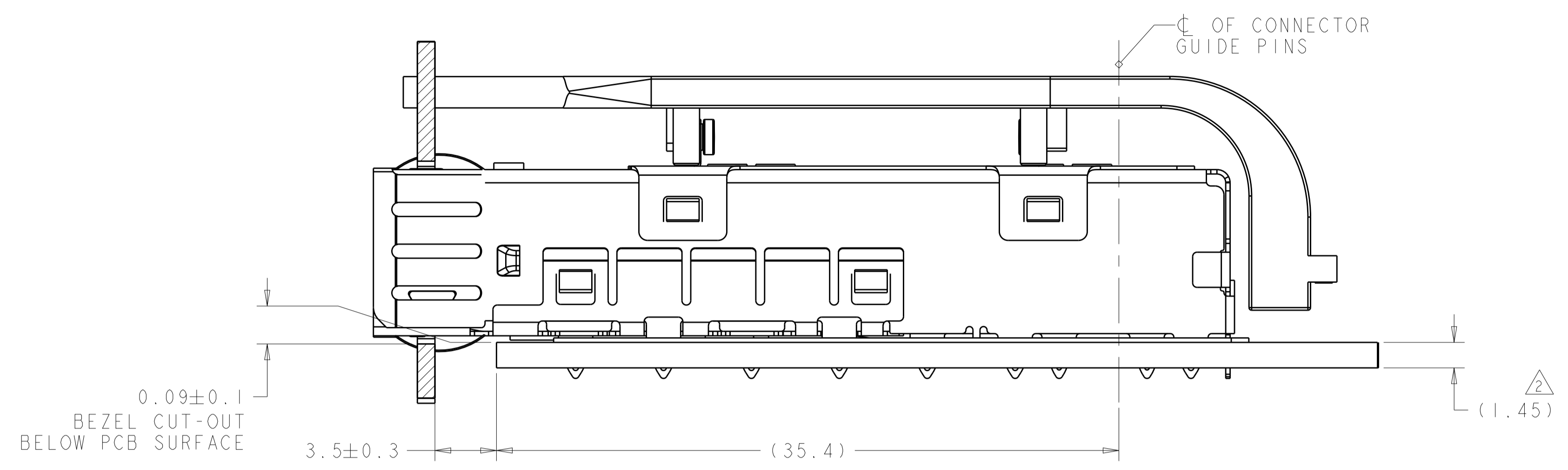
2227727-1
 PART NUMBER

| | | | |
|---|--|---|--|
| THIS DRAWING IS A CONTROLLED DOCUMENT. | | DWN: M.E. CONNER 14FEB2013 | TE Connectivity |
| DIMENSIONS: mm | | CHK: M.D. MORRISON 14FEB2013 | |
| TOLERANCES UNLESS OTHERWISE SPECIFIED: | | APVD: M.J. PHILLIPS 14FEB2013 | NAME: CAGE ASSEMBLY WITH LIGHT PIPES, PRESS-FIT, EMI SPRINGS, 1X2, zSFP+ |
| 0 PLC ±0.1 1 PLC ±0.1 2 PLC ±0.08 3 PLC ±0.05 4 PLC ±0.05 ANGLES ±0.05 | | PRODUCT SPEC: 108-2364 APPLICATION SPEC: 114-13120 | |
| MATERIAL: SEE NOTES | | FINISH: - | SIZE: A1 CAGE CODE: 00779 DRAWING NO: 2227727 CUSTOMER DRAWING |
| | | WEIGHT: - | RESTRICTED TO: - SCALE: 5:1 SHEET 1 OF 4 REV B |

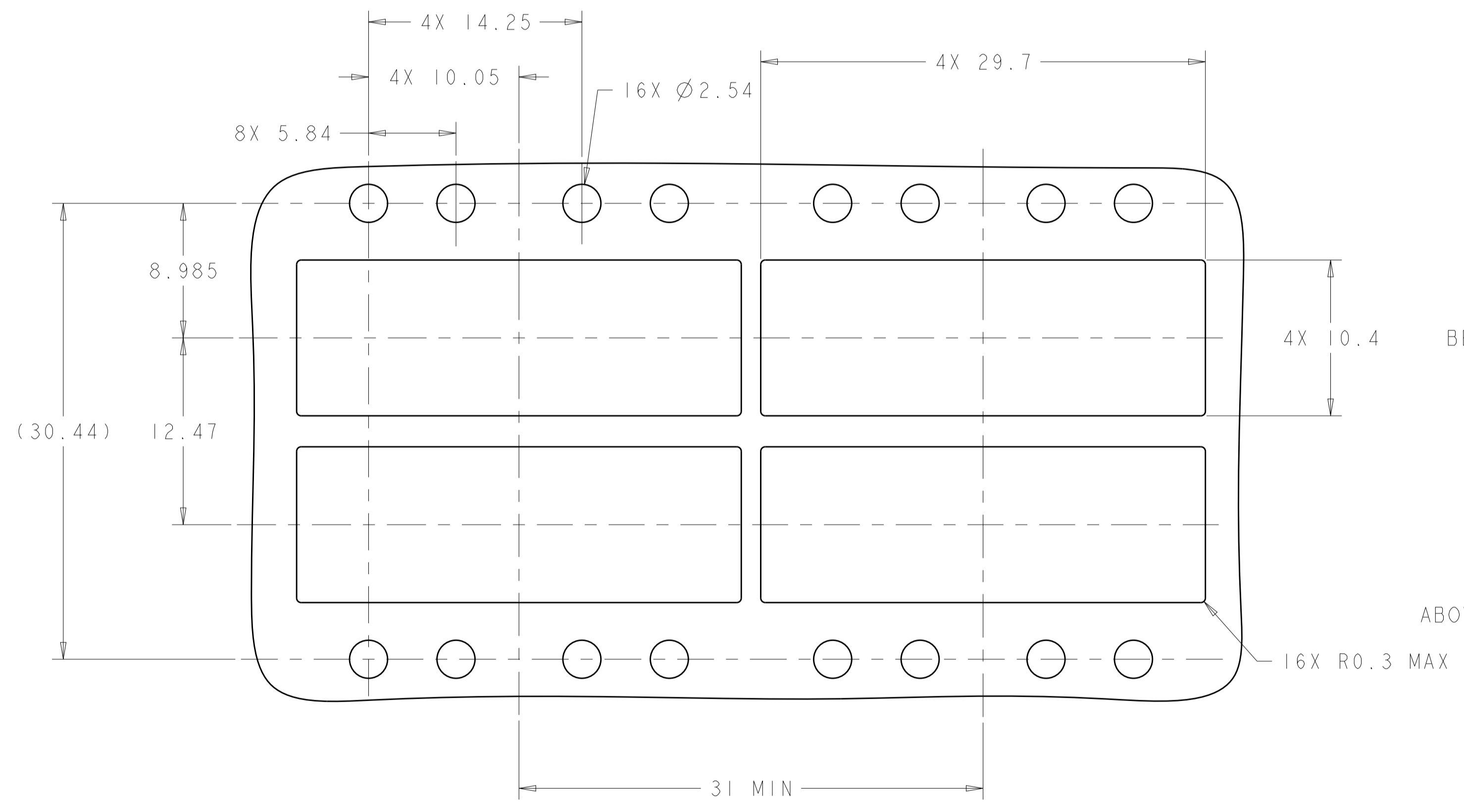
| LOC | DIST | REVISIONS | | | | | |
|-----|------|-----------|-----|-------------|------|-----|------|
| GP | 00 | P | LTN | DESCRIPTION | DATE | DMN | APVD |
| - | - | - | - | SEE SHEET 1 | - | - | - |



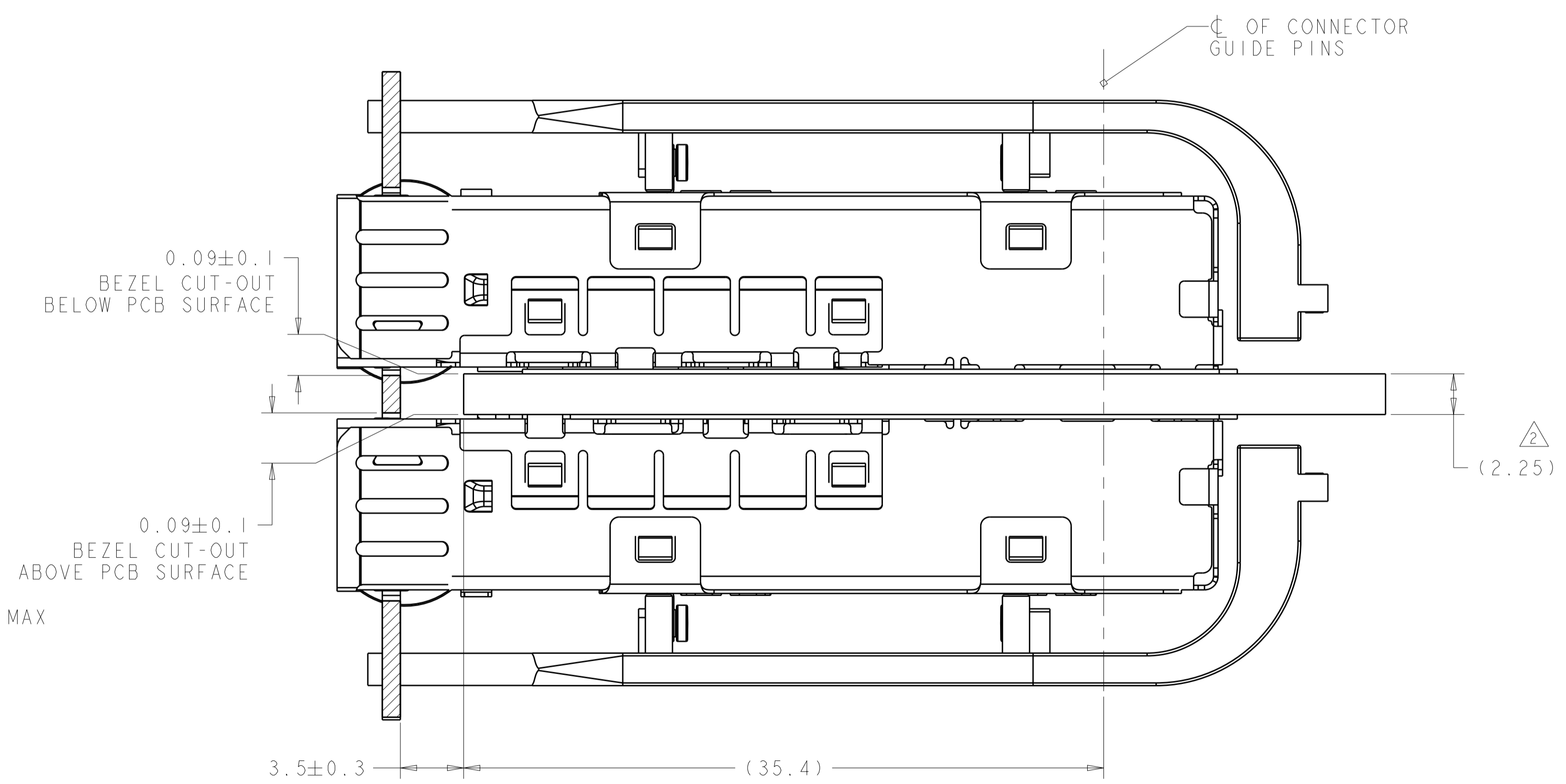
RECOMMENDED BEZEL OPENING
 SINGLE SIDED APPLICATIONS
 SCALE 4:1



MOUNTED ON PC BOARD
 SHOWN THRU RECOMMENDED BEZEL
 SCALE 5:1



RECOMMENDED BEZEL OPENING
 BELLY TO BELLY APPLICATIONS
 SCALE 4:1

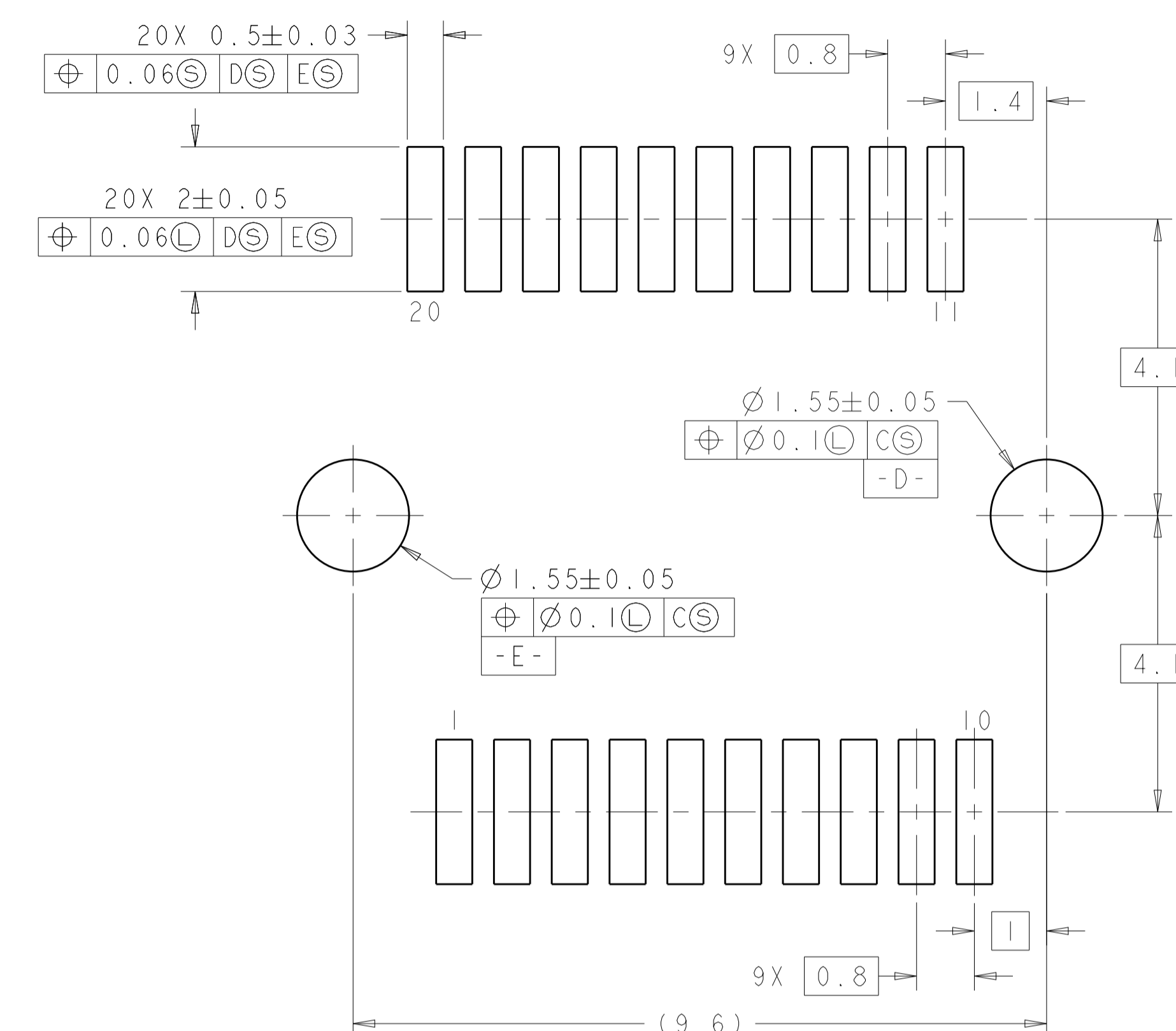
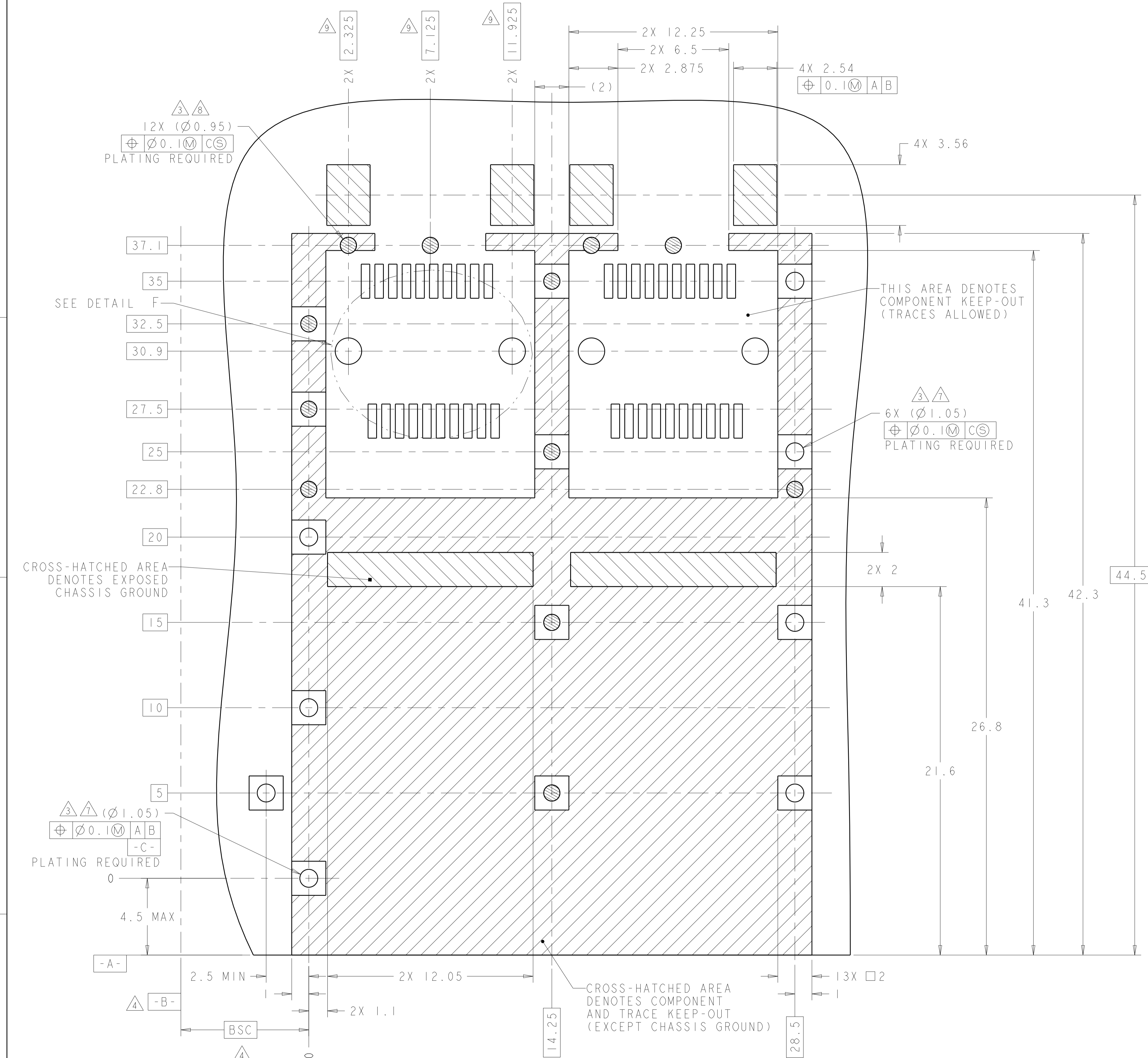


MOUNTED BELLY TO BELLY ON PC BOARD
 SHOWN THRU RECOMMENDED BEZEL
 SCALE 5:1

| | | | | |
|---|--|---|--|--|
| THIS DRAWING IS A CONTROLLED DOCUMENT. | | DMN M. E. CONNER 14FEB2013 | TE Connectivity | |
| DIMENSIONS: | | CHK M. D. MORRISON 14FEB2013 | NAME | |
| mm | TOLERANCES UNLESS OTHERWISE SPECIFIED: | APVD M. J. PHILLIPS 14FEB2013 | CAGE ASSEMBLY WITH LIGHT PIPES, PRESS-FIT, EMI SPRINGS, 1X2, zSFP+ | |
| 0 PLC ±0.1 1 PLC ±0.1 2 PLC ±0.08 3 PLC ±0.05 4 PLC ±0.05 ANGLES ±0.05 FINISH | MATERIAL SEE NOTES | PRODUCT SPEC 108-2364 APPLICATION SPEC 114-13120 WEIGHT | SIZE A1 | CAGE CODE DRAWING NO 00779C=2227727 Customer Drawing |
| SCALE 5:1 SHEET 2 OF 4 REV B | | | RESTRICTED TO | |

| LOC | DIST | REV | DATE | APPV |
|-----|------|-----|------|------|
| GP | 00 | | | |

| REVISIONS | | | | |
|-----------|------|------|-------------|------|
| REV | DATE | APPV | DESCRIPTION | DATE |
| - | - | - | SEE SHEET 1 | - |

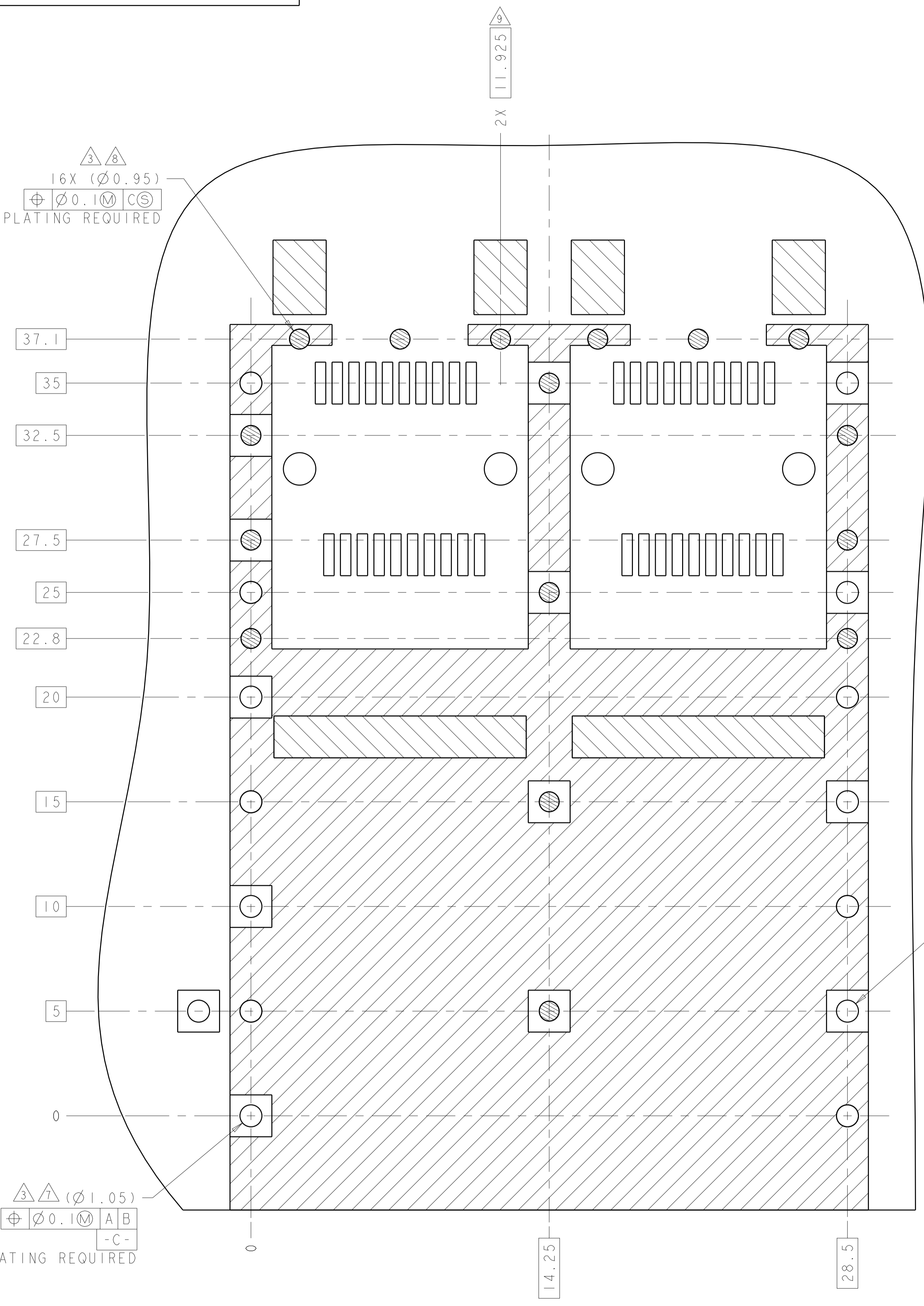


RECOMMENDED PCB CONFIGURATION
 WITH KEEP-OUT AREAS FOR SINGLE SIDE APPLICATION
 SCALE 8:1

| | | | |
|--|--------------|-------------------------------|--|
| THIS DRAWING IS A CONTROLLED DOCUMENT. | | OWN: M.E. CONNER 14FEB2013 | TE Connectivity |
| DIMENSIONS: mm | | CHK: M.D. MORRISON 14FEB2013 | |
| TOLERANCES UNLESS OTHERWISE SPECIFIED: | | APVD: M.J. PHILLIPS 14FEB2013 | NAME: CAGE ASSEMBLY WITH LIGHT PIPES, PRESS-FIT, EMI SPRINGS, 1X2, zSFP+ |
| 0 PLC ±0.1 | 1 PLC ±0.1 | PRODUCT SPEC 108-2364 | SIZE: A1 |
| 2 PLC ±0.08 | 3 PLC ±0.05 | APPLICATION SPEC 114-13120 | CAGE CODE: 00779 |
| 4 PLC ±0.05 | ANGLES ±0.05 | WEIGHT | DRAWING NO: C=2227727 |
| MATERIAL: SEE NOTES | FINISH | Customer Drawing | RESTRICTED TO: - |
| SCALE 5:1 | | | SHEET 3 OF 4 |
| | | | REV B |

| LOC | DIST | REVISIONS | | | | | |
|-----|------|-----------|-----|-------------|------|-----|------|
| | | P. | LTN | DESCRIPTION | DATE | DWN | APVD |
| GP | 00 | - | - | SEE SHEET 1 | - | - | - |
| | | | | | | | |
| | | | | | | | |

16X (Ø0.95)
 ⊕ Ø0.1 ⊕ CS
 PLATING REQUIRED



13X (Ø1.05)
 ⊕ Ø0.1 ⊕ CS
 PLATING REQUIRED

(Ø1.05)
 ⊕ Ø0.1 ⊕ A B
 -C-
 PLATING REQUIRED

RECOMMENDED PCB CONFIGURATION
 WITH KEEP-OUT AREAS FOR BELLY TO BELLY APPLICATION
 SAME AS SINGLE SIDE APPLICATION, EXCEPT AS SHOWN
 SCALE 8:1

| | | | |
|---|--|-------------------------------|--|
| THIS DRAWING IS A CONTROLLED DOCUMENT. | | DWN: M.E. CONNER 14FEB2013 | TE Connectivity |
| DIMENSIONS: mm | | CHK: M.D. MORRISON 14FEB2013 | |
| TOLERANCES UNLESS OTHERWISE SPECIFIED: 0 PLC ±0.1 1 PLC ±0.1 2 PLC ±0.08 3 PLC ±0.05 4 PLC ±0.05 ANGLES ±1° FINISH - | | APVD: M.J. PHILLIPS 14FEB2013 | NAME: CAGE ASSEMBLY WITH LIGHT PIPES, PRESS-FIT, EMI SPRINGS, 1X2, zSFP+ |
| MATERIAL: SEE NOTES | | PRODUCT SPEC: 108-2364 | SIZE: A100779 |
| | | APPLICATION SPEC: 114-13120 | DRAWING NO: C=2227727 |
| | | WEIGHT: - | RESTRICTED TO: - |
| | | Customer Drawing | SCALE: 5:1 SHEET 4 OF 4 REV B |

单击下面可查看定价，库存，交付和生命周期等信息

[>>TE Connectivity\(泰科\)](#)