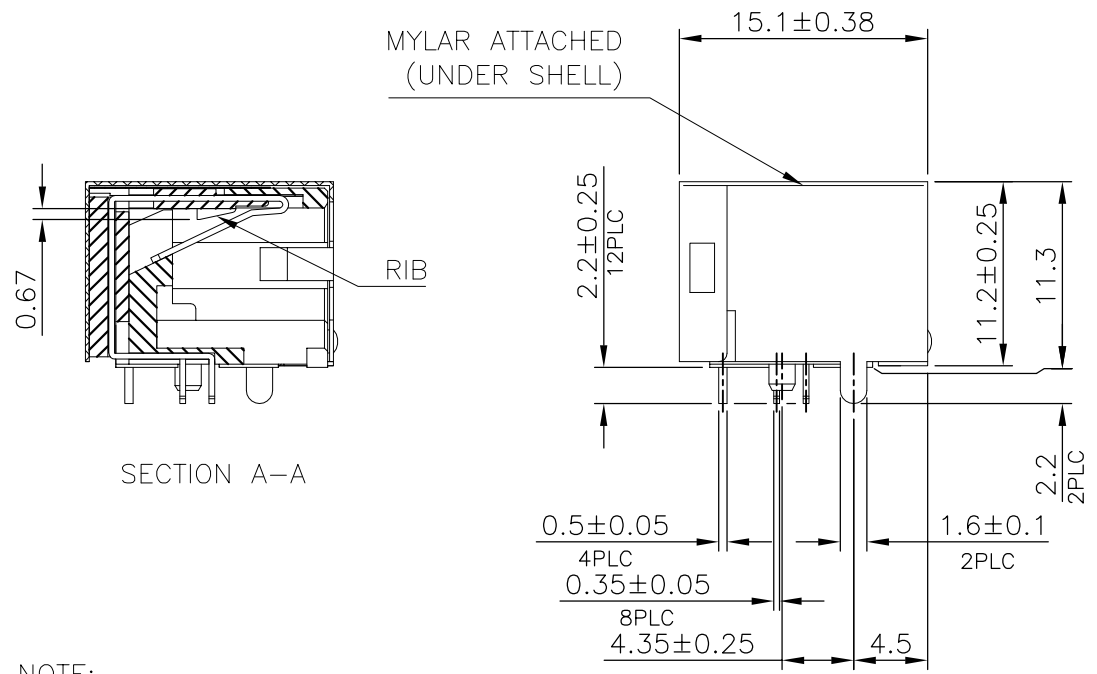
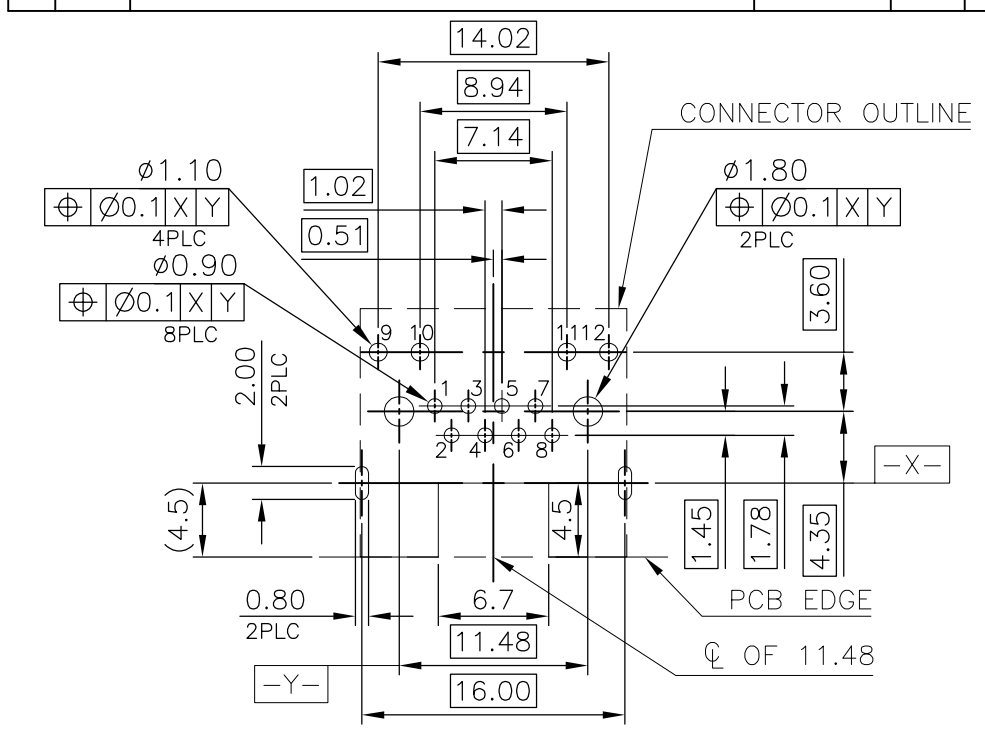
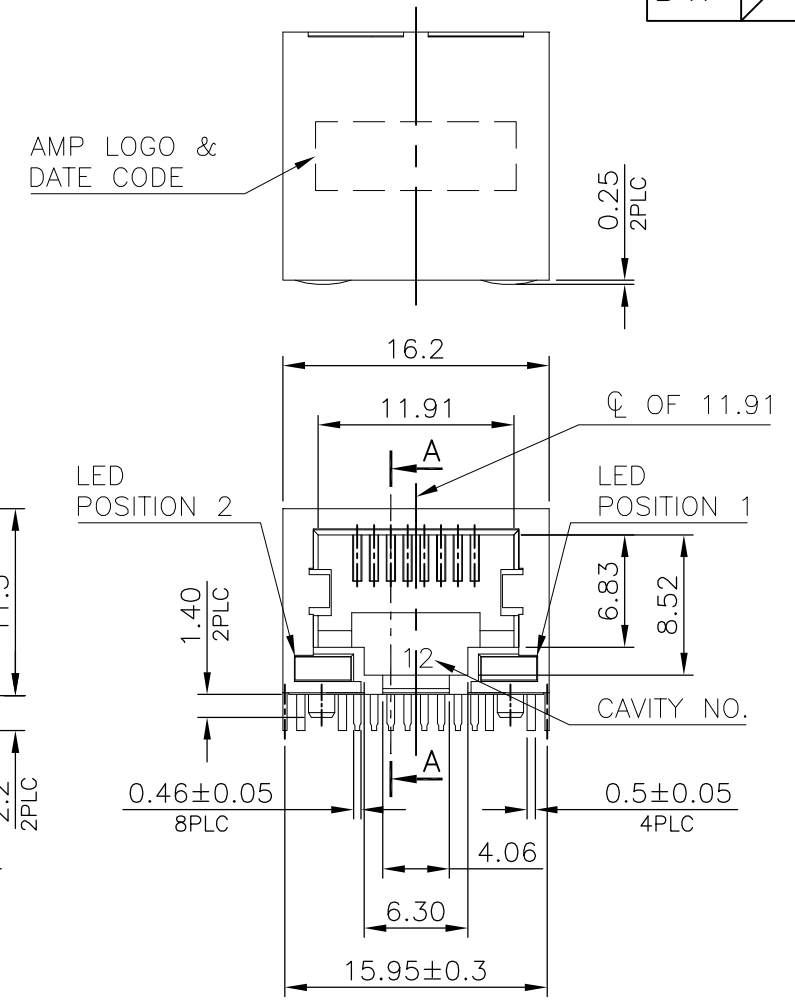
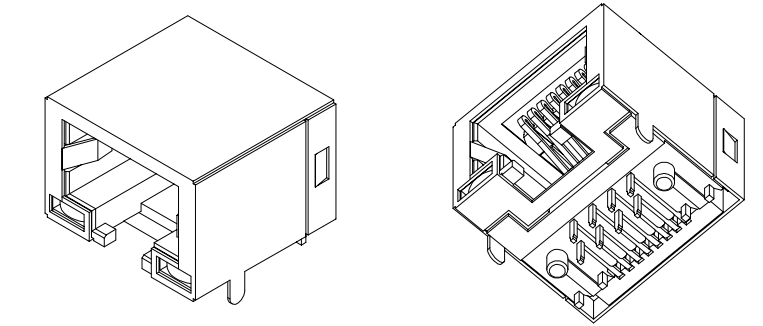
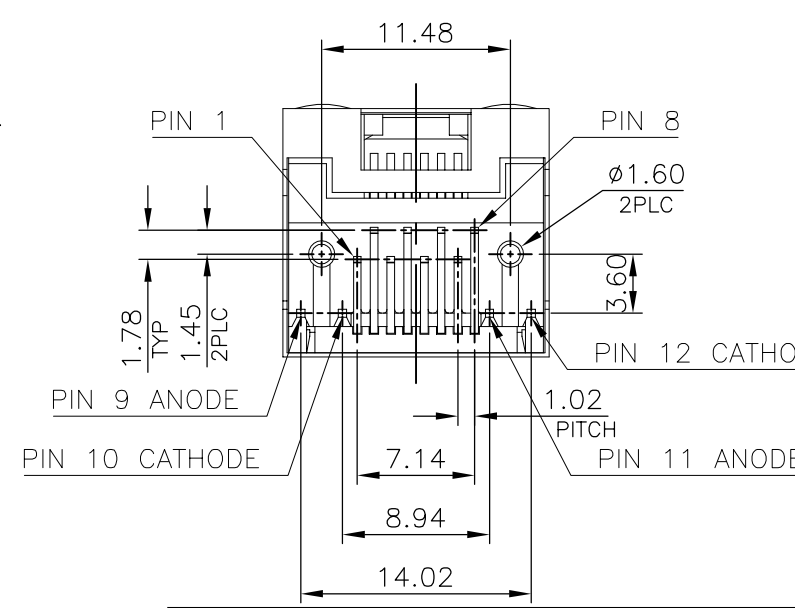


THIS DRAWING IS UNPUBLISHED. RELEASED FOR PUBLICATION
 © COPYRIGHT 2011 BY TYCO ELECTRONICS CORPORATION. ALL RIGHTS RESERVED.

LOC	DIST	REVISIONS			
P	LTR	DESCRIPTION	DATE	DWN	APVD
DW	/				
	A6	REVISED PER ECO-14-015700	13OCT'14	LL	SH



- NOTE:
- MATERIAL:
 - HOUSING: PA46, WITH 30% GF, UL94V-0, BLACK COLOR.
 - INSERT HOUSING: PA46, WITH 30% GF, UL94V-0, BLACK COLOR.
 - CONTACTS: PHOSPHOR BRONZE.
 - SHELL: BRASS.
 - LED SOLDER TAIL: STEEL.
 - MYLAR: SILICONE POLYMER.
 - FINISH:
 - CONTACTS: (SEE TABLE) GOLD PLATED ON CONTACT AREA. GOLD FLASH ON SOLDER TAIL. 1.27um [50u"] MIN. NICKEL UNDERPLATED OVERALL.
 - SHELL: 0.508um [20u"] MIN. NICKEL PLATED.
 - LED: 1.02um [40u"] COPPER UNDERPLATED OVERALL. 1.27um [50u"] NICKEL OVERALL. 1.27um [50u"] SILVER ON BONDING AREA. 2.54um [100u"] BRIGHT-TIN ON SOLDER AREA.
 - LED MUST BE REFLOW COMPATIBLE TO FOLLOWING TEMPERATURE PROFILE (FOR 1 CYCLE): ABOVE 160°C FOR 120 SECONDS, PEAKING AT 230°C FOR 6~8 SECONDS.
 - LED DEFECT RATE IS 6000 PPM MAX. AFTER IR REFLOW PROCESS AS NOTE 3.
 - APPLIED TO WAVE SOLDERING PROCESS.
 - OBsolete PARTS: OBsolete CIS STREAMLINING PER D.RENAUD/D.SINISI.



TRAY	INDICATOR COLOR	MIN. GOLD THICKNESS	PART NUMBER
OBSOLETE	YELLOW GREEN	1.27um[50u"]	1734509-8
		0.762um[30u"]	1734509-7
		0.381um[15u"]	1734509-6
	GREEN YELLOW	0.152um[6u"]	1734509-5
		1.27um[50u"]	1734509-4
		0.762um[30u"]	1734509-3
		0.381um[15u"]	1734509-2
		0.152um[6u"]	1734509-1

THIS DRAWING IS A CONTROLLED DOCUMENT.

DWN O. HU 03OCT2005
 CHK S. HOU 03OCT2005
 APVD W.J. KE 03OCT2005

PRODUCT SPEC 108-57527

APPLICATION SPEC

WEIGHT -

CUSTOMER DRAWING

SCALE - SHEET 1 OF 4 REV A6

STE TE Connectivity

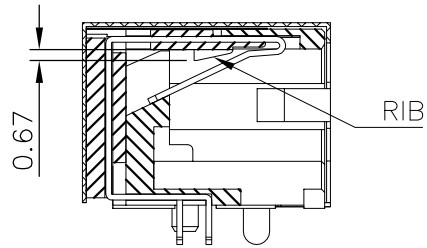
NAME MODULAR JACK RJ45 8P8C, WITH SHELL, DIP, REVERSE TYPE

SIZE A3 CAGE CODE 00779 DRAWING NO C=1734509 RESTRICTED TO

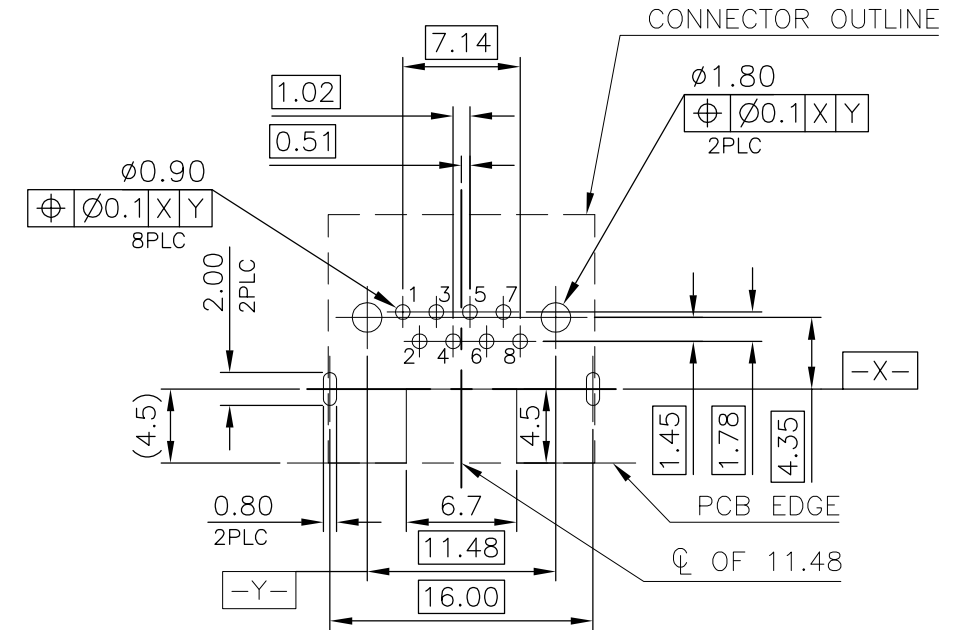
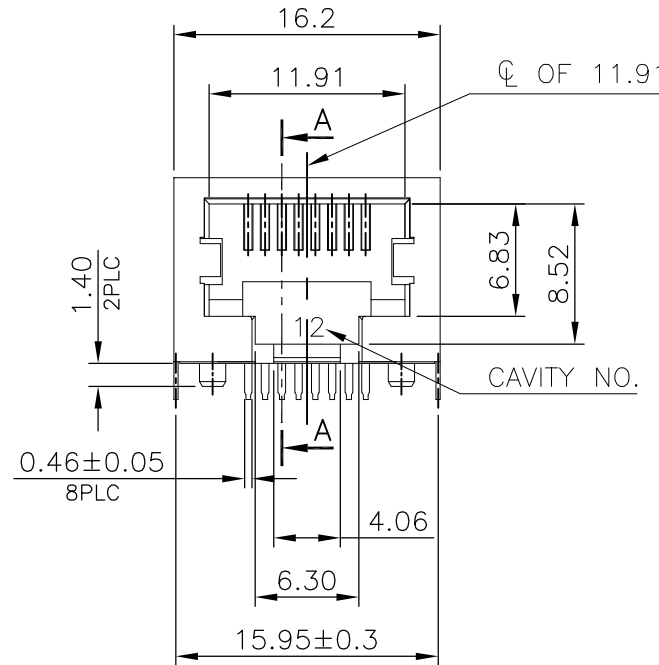
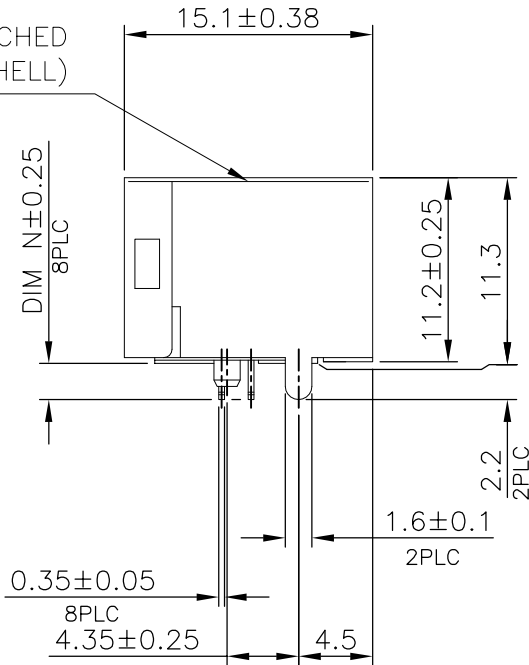
LOC	DIST	REVISIONS				
P	LTR	DESCRIPTION	DATE	DWN	APVD	
DW		SEE SHEET 1.				

AMP LOGO &
DATE CODE

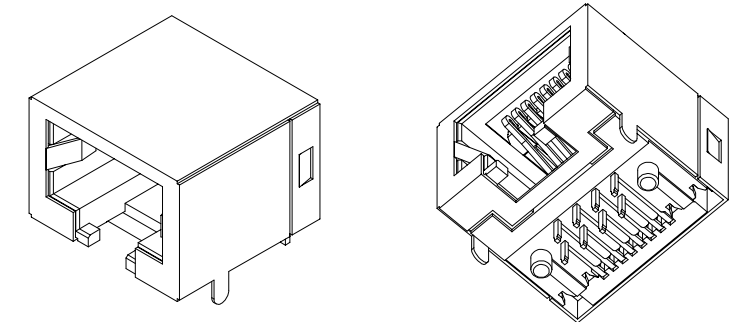
MYLAR ATTACHED
(UNDER SHELL)



SECTION A-A



RECOMMENDED PCB LAYOUT (TOP VIEW)
PCB THICKNESS: 1.6MM, TOLERANCE: ±0.05



NOTE:

1. MATERIAL:

1.1 HOUSING: PA46, WITH 30% GF, UL94V-0, BLACK COLOR.
OR LCP WITH 30% G.F. UL94V-0, BLACK COLOR.
(SEE TABLE)

1.2 INSERT HOUSING: PA46, WITH 30% GF, UL94V-0, BLACK COLOR.
OR LCP WITH 30% G.F. UL94V-0, BLACK COLOR.
(SEE TABLE)

1.3 CONTACTS: PHOSPHOR BRONZE.

1.4 SHELL: BRASS.

1.5 MYLAR: SILICONE POLYMER.

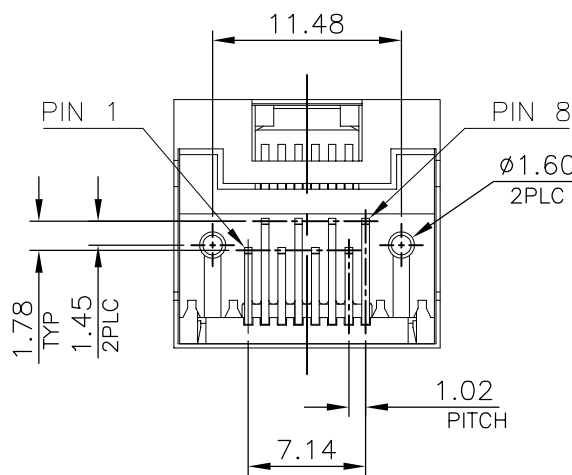
2. FINISH:

2.1 CONTACTS: (SEE TABLE) GOLD PLATED ON CONTACT AREA.
GOLD FLASH ON SOLDER TAIL.
1.27um [50u"] MIN. NICKEL UNDERPLATED OVERALL.

2.2 SHELL: 0.508um [20u"] MIN. NICKEL PLATED.

3. APPLIED TO WAVE SOLDERING PROCESS.

△ OBSOLETE PARTS: OBSOLETE CIS STREAMLINING PER D.RENAUD/D.SINISI.



△ OBSOLETE	LCP	TAPE & REEL	3.5	0.152um[6u"]	1-1734509-5
	PA46	TAPE & REEL	2.2	1.27um[50u"]	1-1734509-4
				0.762um[30u"]	1-1734509-3
				0.381um[15u"]	1-1734509-2
				0.152um[6u"]	1-1734509-1
	HOUSING&INSERT MATERIAL	PACKAGE	DIM N	MIN. GOLD THICKNESS	PART NUMBER

THIS DRAWING IS A CONTROLLED DOCUMENT.		DWN		TE Connectivity													
DIMENSIONS: mm		CHK		NAME													
TOLERANCES UNLESS OTHERWISE SPECIFIED:		APVD		MODULAR JACK RJ45 8P8C, WITH SHELL, DIP, REVERSE TYPE													
<table border="1"> <tr><td>0 PLC</td><td>± -</td></tr> <tr><td>1 PLC</td><td>± 0.3</td></tr> <tr><td>2 PLC</td><td>± 0.2</td></tr> <tr><td>3 PLC</td><td>± 0.15</td></tr> <tr><td>4 PLC</td><td>± -</td></tr> <tr><td>ANGLES</td><td>± 3'</td></tr> </table>		0 PLC	± -	1 PLC	± 0.3	2 PLC	± 0.2	3 PLC	± 0.15	4 PLC	± -	ANGLES	± 3'	PRODUCT SPEC		SIZE	
0 PLC	± -																
1 PLC	± 0.3																
2 PLC	± 0.2																
3 PLC	± 0.15																
4 PLC	± -																
ANGLES	± 3'																
MATERIAL		APPLICATION SPEC		CAGE CODE													
FINISH		WEIGHT		DRAWING NO													
		CUSTOMER DRAWING		RESTRICTED TO													
		SCALE		SHEET 2 OF 4													
				REV A6													

4

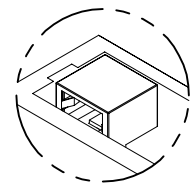
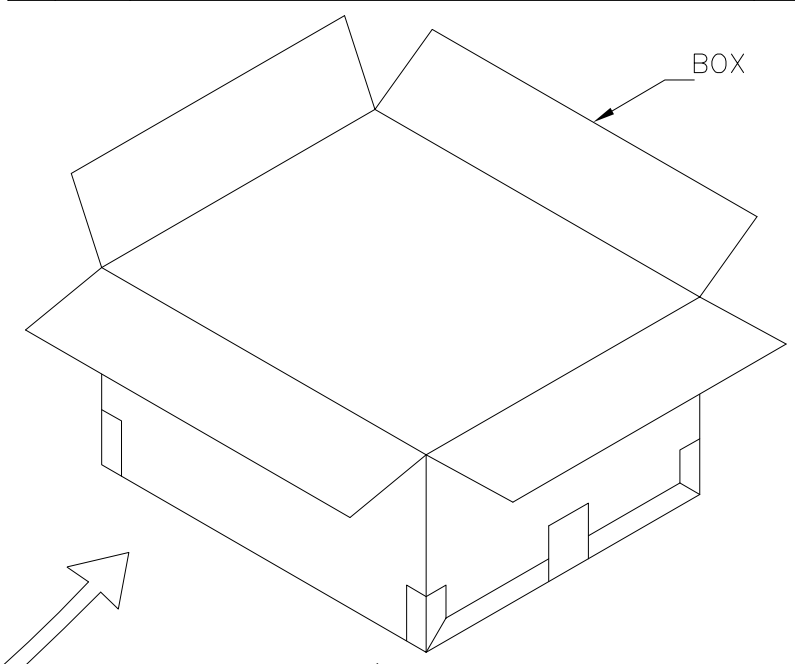
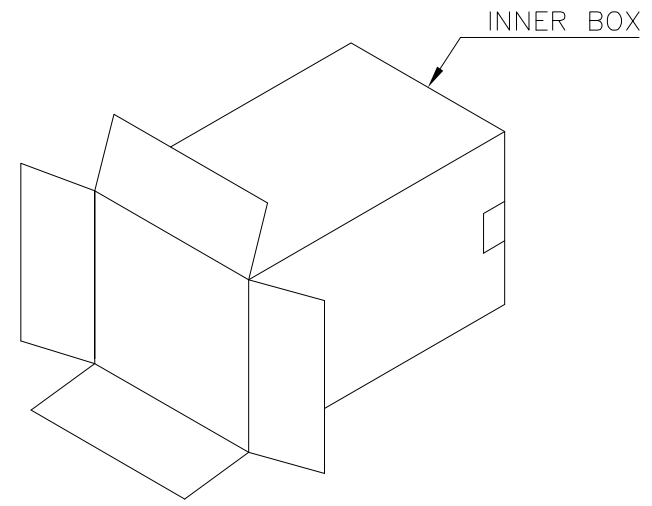
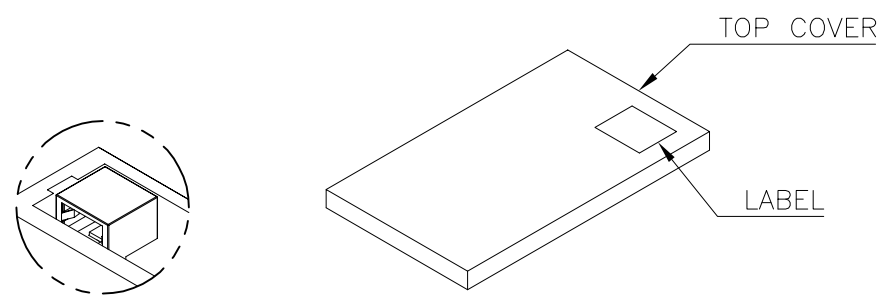
3

2

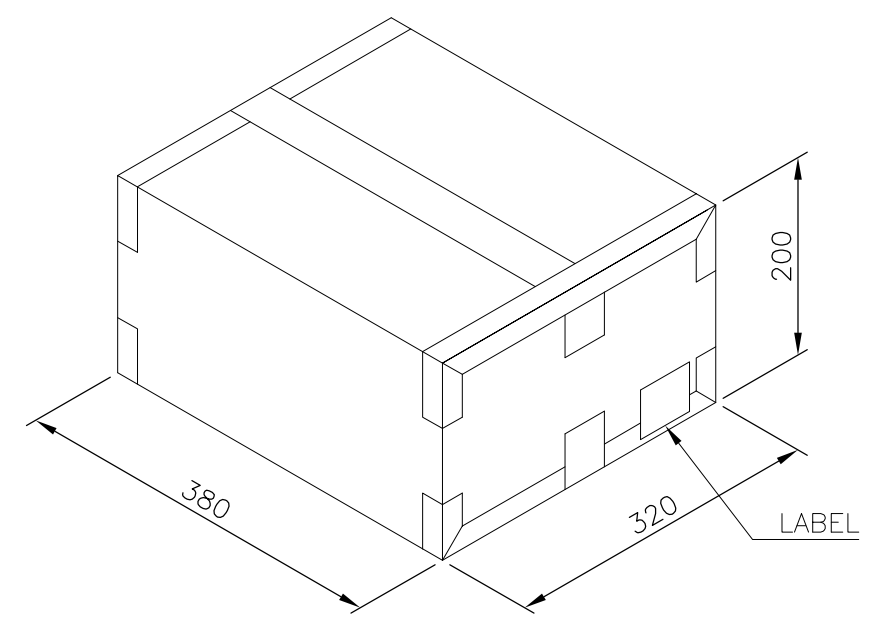
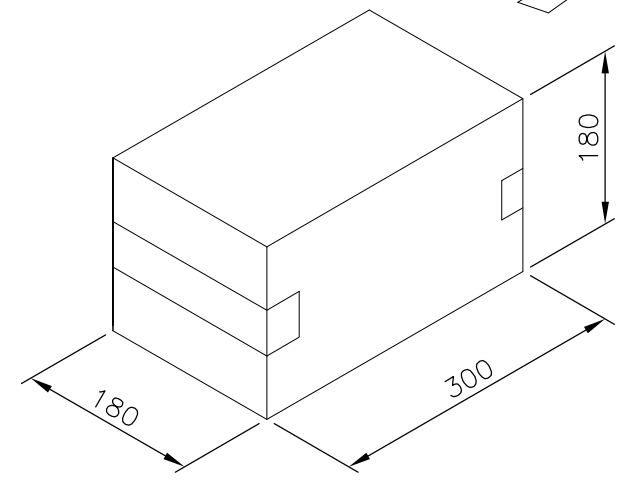
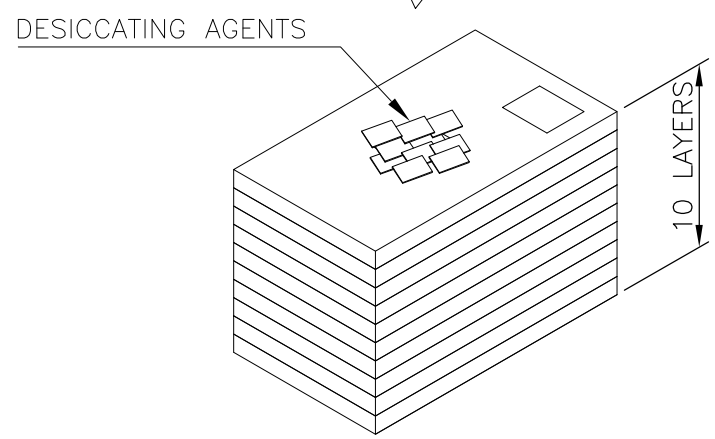
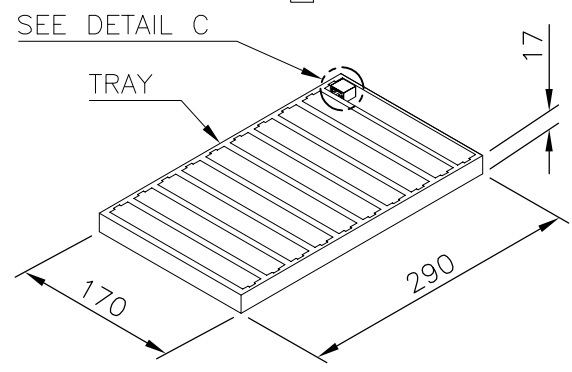
1

THIS DRAWING IS UNPUBLISHED. RELEASED FOR PUBLICATION
 © COPYRIGHT 2011 BY TYCO ELECTRONICS CORPORATION. ALL RIGHTS RESERVED.

LOC	DIST	REVISIONS				
P	LTR	DESCRIPTION	DATE	DWN	APVD	
		SEE SHEET 1.				



DETAIL C



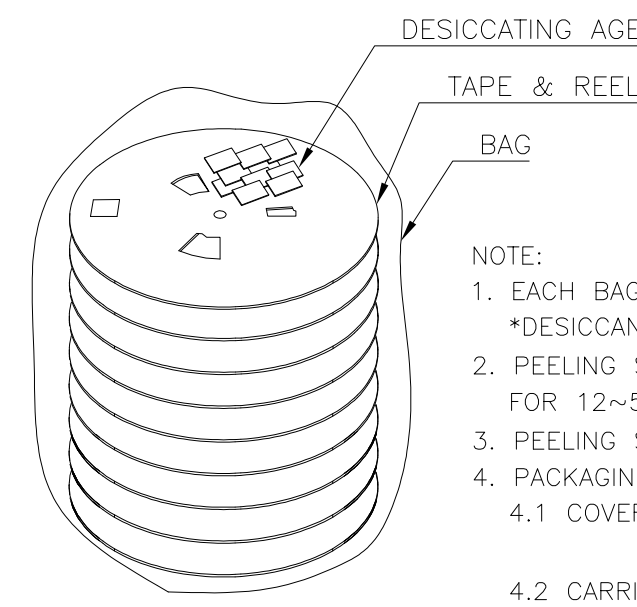
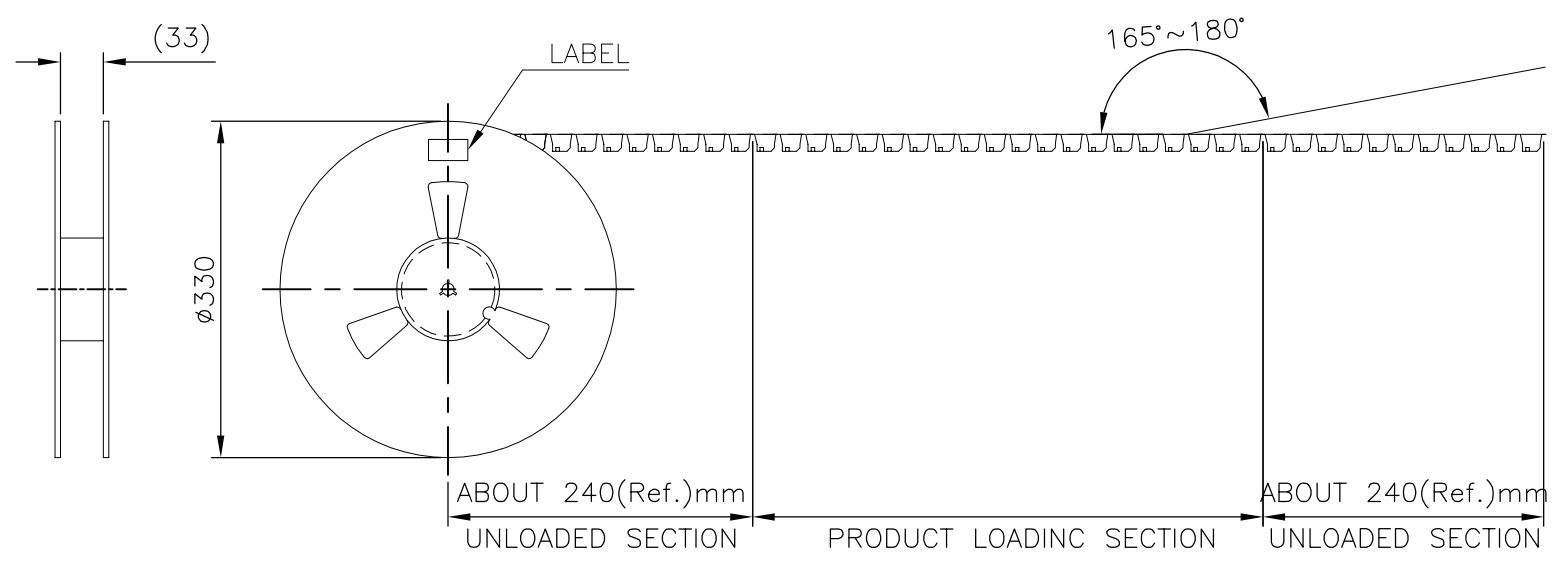
- NOTES:
- MATERIAL:
 TRAY: PVC.
 BOX: CORRUGATED FIBER.
 - DIMENSION: SEE DRAWING
 - QUANTITY: SEE TABLE
 - WEIGHT: SEE TABLE

9.65Kg	7.65Kg	90	20	1800	1734509-X
GROSS WEIGHT	NET WEIGHT	PCS /TRAY	TRAY /BOX	PCS /BOX	PART NUMBER

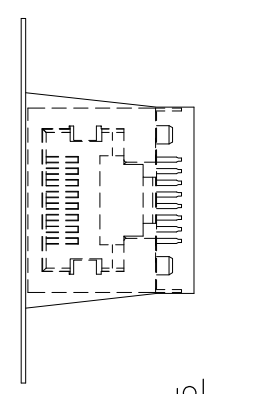
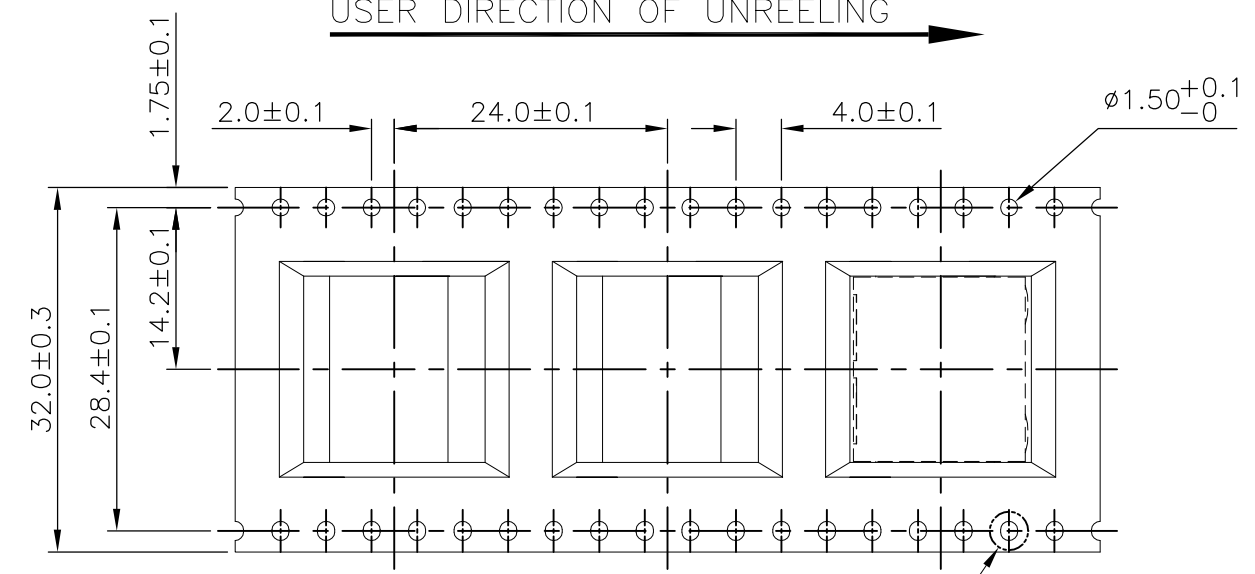
THIS DRAWING IS A CONTROLLED DOCUMENT.		DWN	TE Connectivity			
DIMENSIONS: mm		CHK				
TOLERANCES UNLESS OTHERWISE SPECIFIED:		APVD	NAME			
0 PLC ± - 1 PLC ± 0.3 2 PLC ± 0.2 3 PLC ± 0.15 4 PLC ± - ANGLES ± 3°		PRODUCT SPEC	MODULAR JACK RJ45 8P8C, WITH SHELL, DIP, REVERSE TYPE			
MATERIAL		APPLICATION SPEC	SIZE	CAGE CODE	DRAWING NO	RESTRICTED TO
FINISH		WEIGHT	A3	00779	1734509	
CUSTOMER DRAWING			SCALE	SHEET	REV	
				3 OF 4	A6	

THIS DRAWING IS UNPUBLISHED. RELEASED FOR PUBLICATION
 © COPYRIGHT 2011 BY TYCO ELECTRONICS CORPORATION. ALL RIGHTS RESERVED.

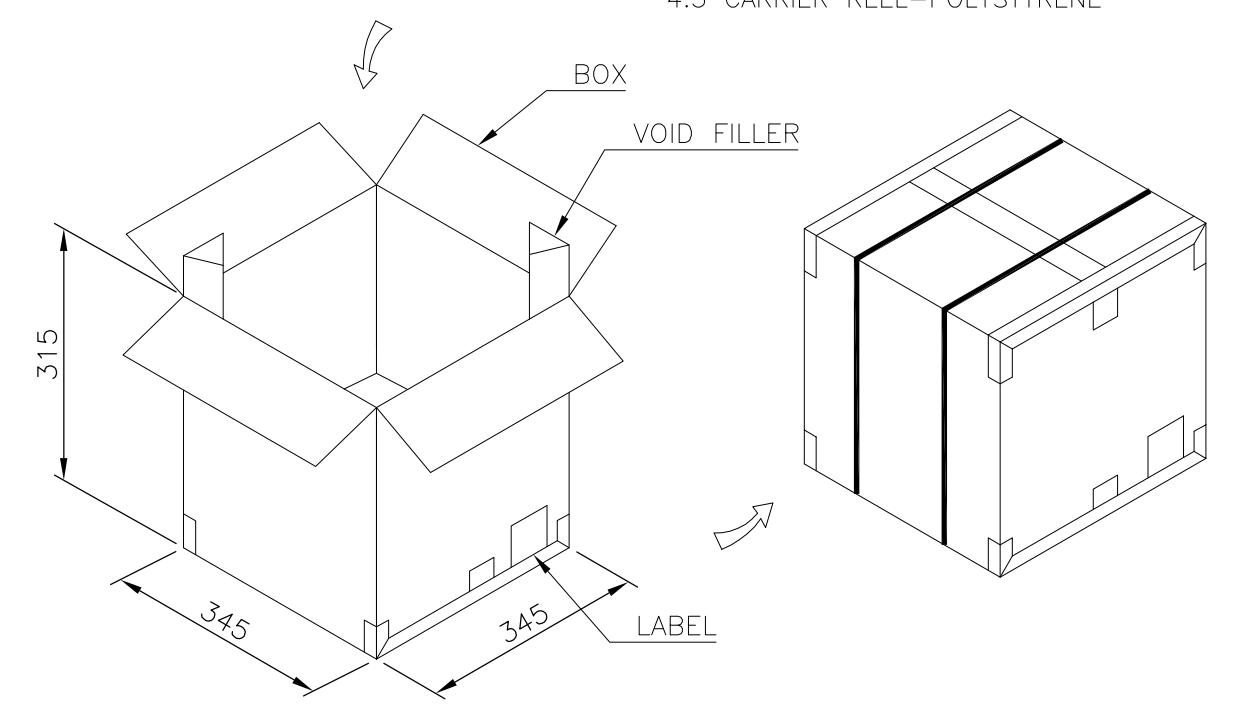
LOC	DIST	REVISIONS				
P	LTR	DESCRIPTION	DATE	DWN	APVD	
		SEE SHEET 1.				



USER DIRECTION OF UNREELING →



DETAIL C
SCALE 4:1



9.20KG	5.77KG	180	8	1440	1-1734509-X
GROSS WEIGHT	NET WEIGHT	PCS /REEL	REEL /BOX	PCS /BOX	PART NUMBER

THIS DRAWING IS A CONTROLLED DOCUMENT.		DWN	TE Connectivity		
DIMENSIONS: mm		CHK			
TOLERANCES UNLESS OTHERWISE SPECIFIED:		APVD	NAME		
0 PLC ±		PRODUCT SPEC	MODULAR JACK RJ45 8P8C, WITH SHELL, DIP, REVERSE TYPE		
1 PLC ±0.3		APPLICATION SPEC	SIZE	CAGE CODE	DRAWING NO
2 PLC ±0.2		WEIGHT	A3	00779	C=1734509
3 PLC ±0.15		CUSTOMER DRAWING	RESTRICTED TO		
4 PLC ±		SCALE	SHEET 4 OF 4		
ANGLES ±3'		SHEET	REV A6		
FINISH		REV			

单击下面可查看定价，库存，交付和生命周期等信息

[>>TE Connectivity\(泰科\)](#)