

SHIELDING HARDWARE ENCLOSURE KITS

CONTACT POSITION	PLUG	RECEPTACLE	TERMINATED STRIP LENGTH
9	1571650-[]	1571654-[]	17.78 ±1.27 [.700 ±.050]
		5-1825216-1	
15	1571651-[]	1571655-[]	17.78 ±1.27 [.700 ±.050]
25	1571652-[]	1571656-[]	17.78 ±1.27 [.700 ±.050]
37	1571653-[]	1571657-[]	27.94 ±1.27 [1.100 ±.050]

NOTE: All part numbers feature jackscrews for attachment except 5-1825216-1 which has clinch nuts. Dash numbers in brackets “[]” are chosen based on the overall cable diameter. See relevant Customer Drawing.

Figure 1

1. INTRODUCTION

This instruction sheet covers soldering and assembly procedures for AMPLIMITE Solder Cup Shielding Enclosure Kits shown in Figure 1. This document provides RoHS compliant versions.

2. DESCRIPTION (Figure 1)

Each of these enclosure kits are composed of a solder contact connector, an extruded shield, a shielding enclosure, and two jackscrews or clinch nuts.

3. ASSEMBLY PROCEDURES

1. Use the shield enclosure expansion tool 58241-1 to get the enclosure on the cable as shown in Figure 2.
2. Prepare the cable as shown in Figure 3.
3. Place the cable through the shield as shown in Figure 4.
4. Solder the conductors to the contacts as shown in Figure 5.

Shield Enclosure Expansion Tool 58241-1

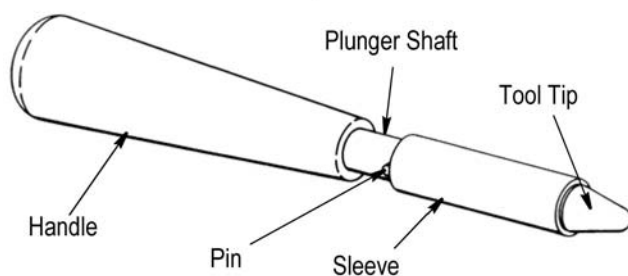


Figure 2

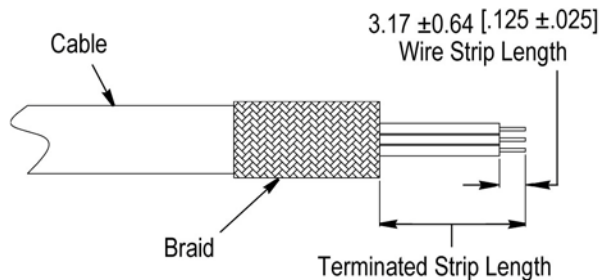


Figure 3

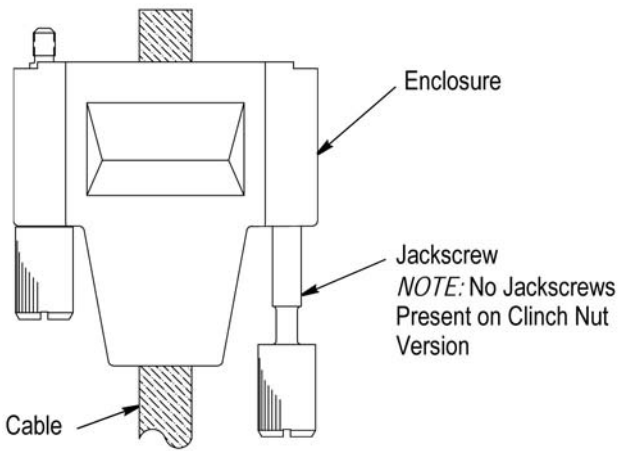


Figure 4

5. Press the shield onto the connector as shown in Figure 7.

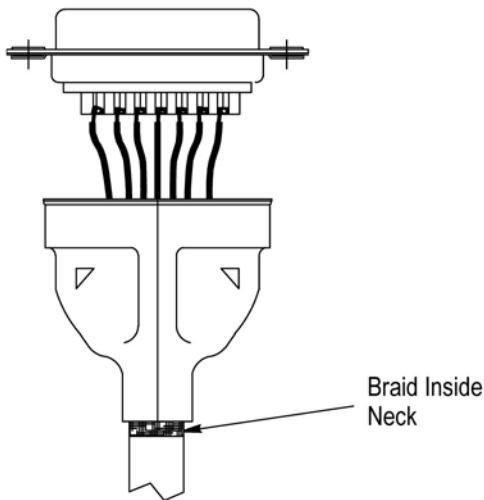


Figure 5

6. Solder the shield to the connector (optional) as shown in Figure 6.

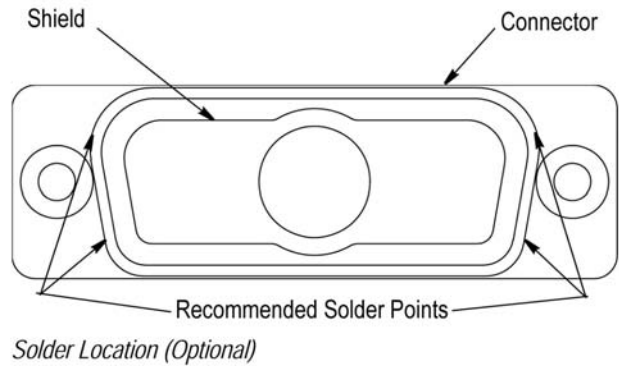


Figure 6

7. Crimp shield to cable as shown in Figure 7.

8. Press enclosure over the shield until the connector flange is flush with the enclosure edge.

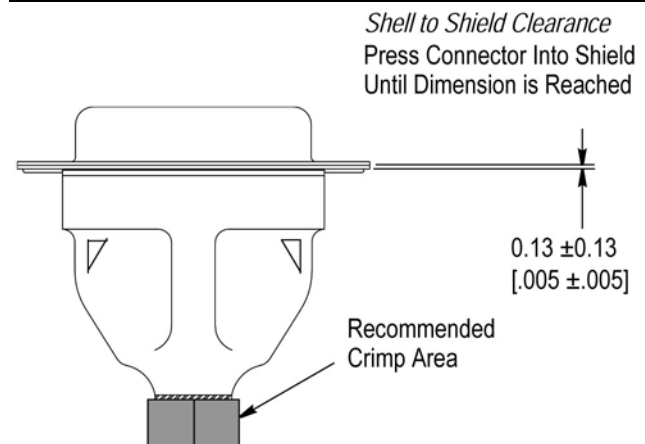


Figure 7

9. Insert the jackscrews (if provided) to complete the assembly. See Figure 2.

4. REVISION SUMMARY

Added text to Paragraph 3.9

Use Crimp Size Best Suited for Cable Diameter Shield-to-Cable Crimp

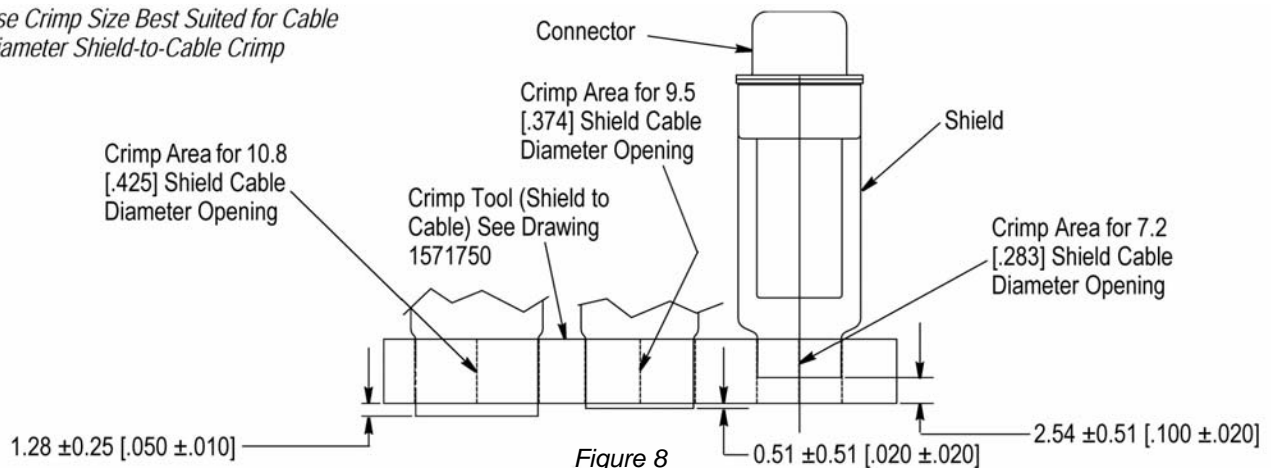


Figure 8

单击下面可查看定价，库存，交付和生命周期等信息

[>>TE Connectivity\(泰科\)](#)