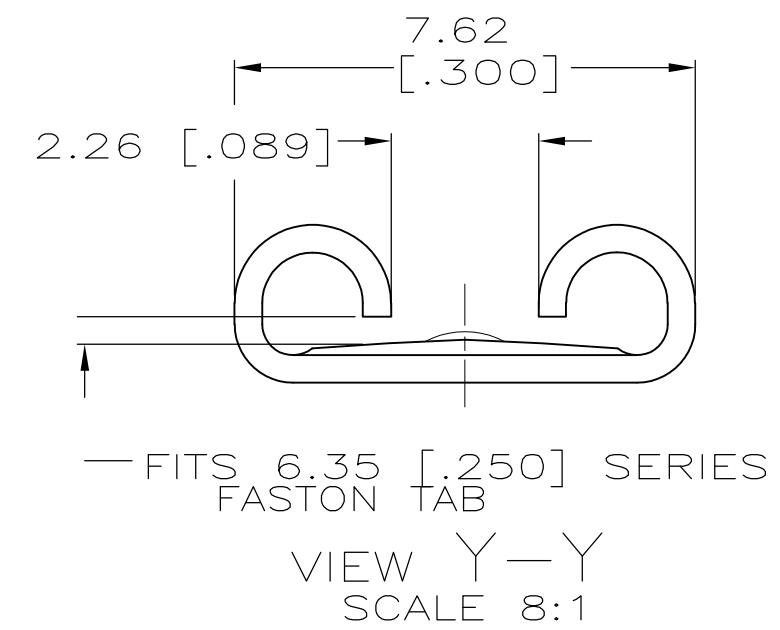
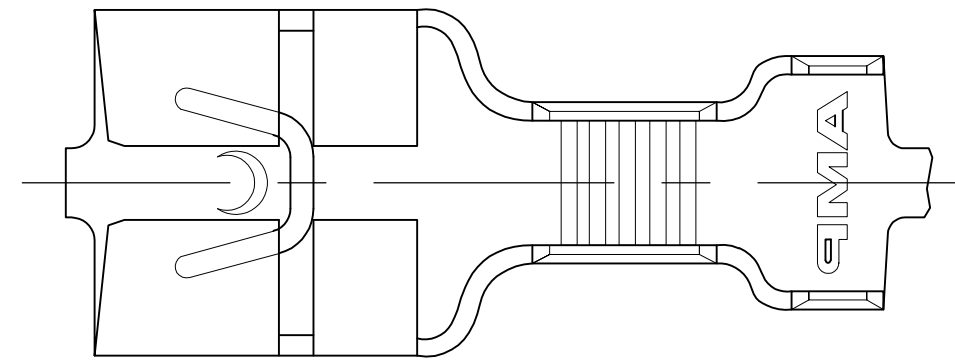
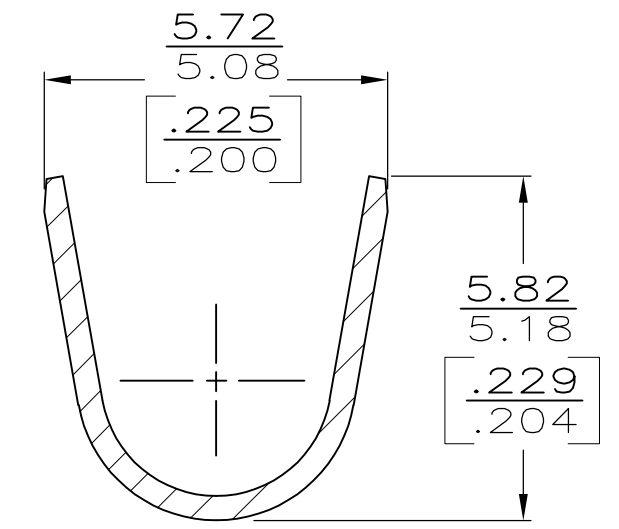
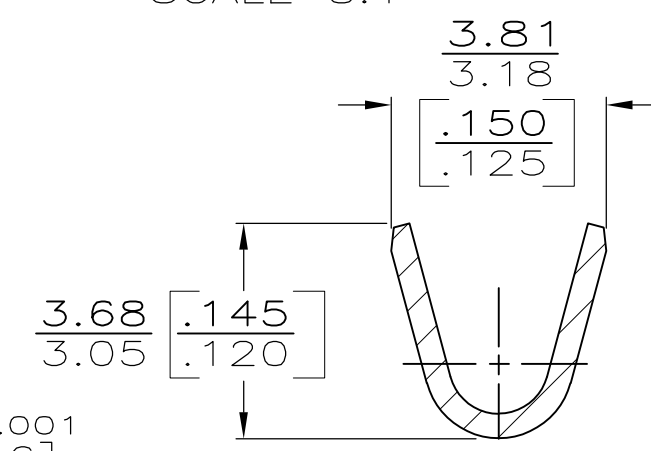
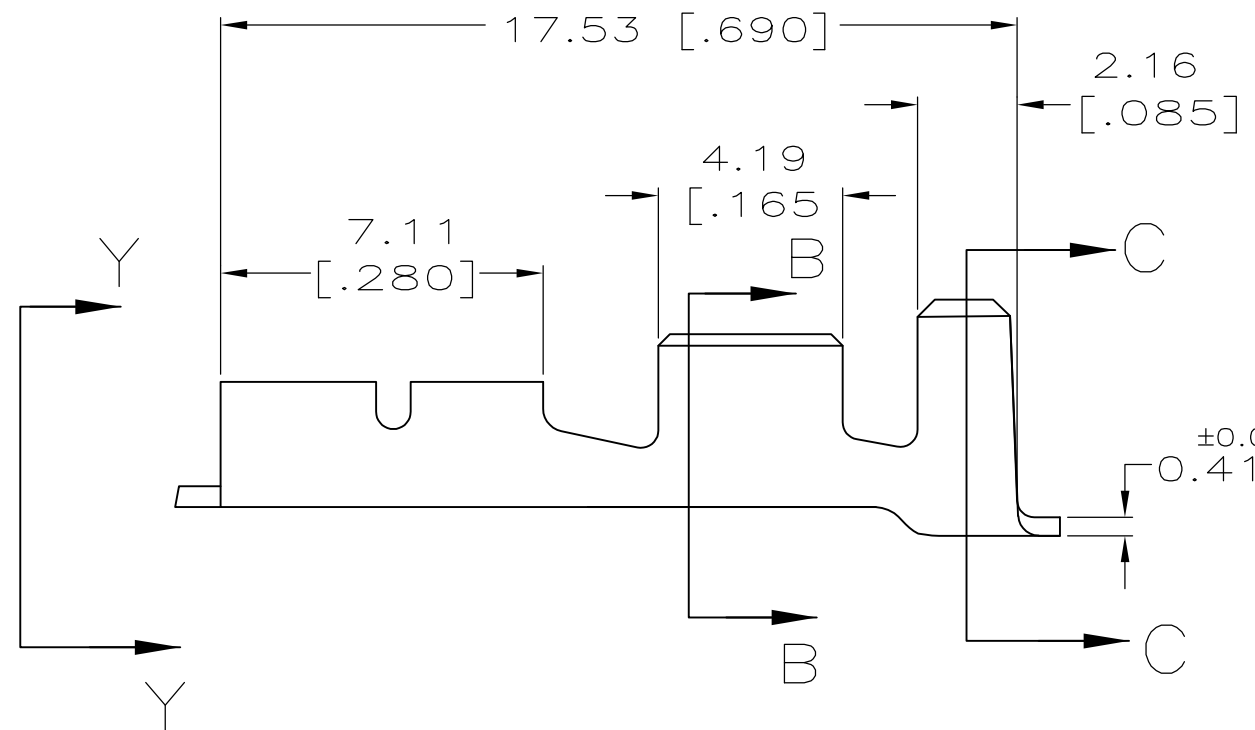


THIS DRAWING IS UNPUBLISHED. RELEASED FOR PUBLICATION  
 © COPYRIGHT - By TYCO ELECTRONICS CORPORATION. ALL RIGHTS RESERVED.

LOC	DIST	REVISIONS					
AF	50	P	LTR	DESCRIPTION	DATE	DWN	APVD
			C	REVISE PER ECR-13-013738	15FEB2014	GRZ	JL



1 CONTINUOUS STRIP ON REELS



3.05-4.32 [.120-.170] DIA	0.8-2.0mm <sup>2</sup> (2)0.6 [18-14 OR (2)#19]	0.51 [.020]	63622-1
INSUL RANGE	WIRE SIZE	MATING TAB THK ±0.025 ±[.001]	PART NUMBER

F	4.57 [.180]	F	3.05 [.120]	1.67 [.066]	2.0mm <sup>2</sup> [14]
				1.47 [.058]	1.3mm <sup>2</sup> [16]
				1.35 [.053]	0.8mm <sup>2</sup> [18]
				1.47 [.058]	(2) 19's
TYPE	WIDTH	TYPE	WIDTH	±0.051 ±[.002] HEIGHT	WIRE
INSUL BARREL CRIMP		WIRE BARREL CRIMP			

THIS DRAWING IS A CONTROLLED DOCUMENT.

DWN	JR RUTH	8/23/91
CHK	MS FEHER	8/23/91
APVD	C MEYERS	8/23/91
PRODUCT SPEC	R KUZO	8/23/91
APPLICATION SPEC		
WEIGHT		

**STE** TE Connectivity

RECEPTACLE, FASTON,  
L.I.F., AMPLIVAR,  
6.35 [.250] SERIES

SIZE	CAGE CODE	DRAWING NO	RESTRICTED TO
A3	00779	C-63622	-

CUSTOMER DRAWING SCALE 6:1 SHEET 1 OF 1 REV C

单击下面可查看定价，库存，交付和生命周期等信息

[>>TE Connectivity\(泰科\)](#)