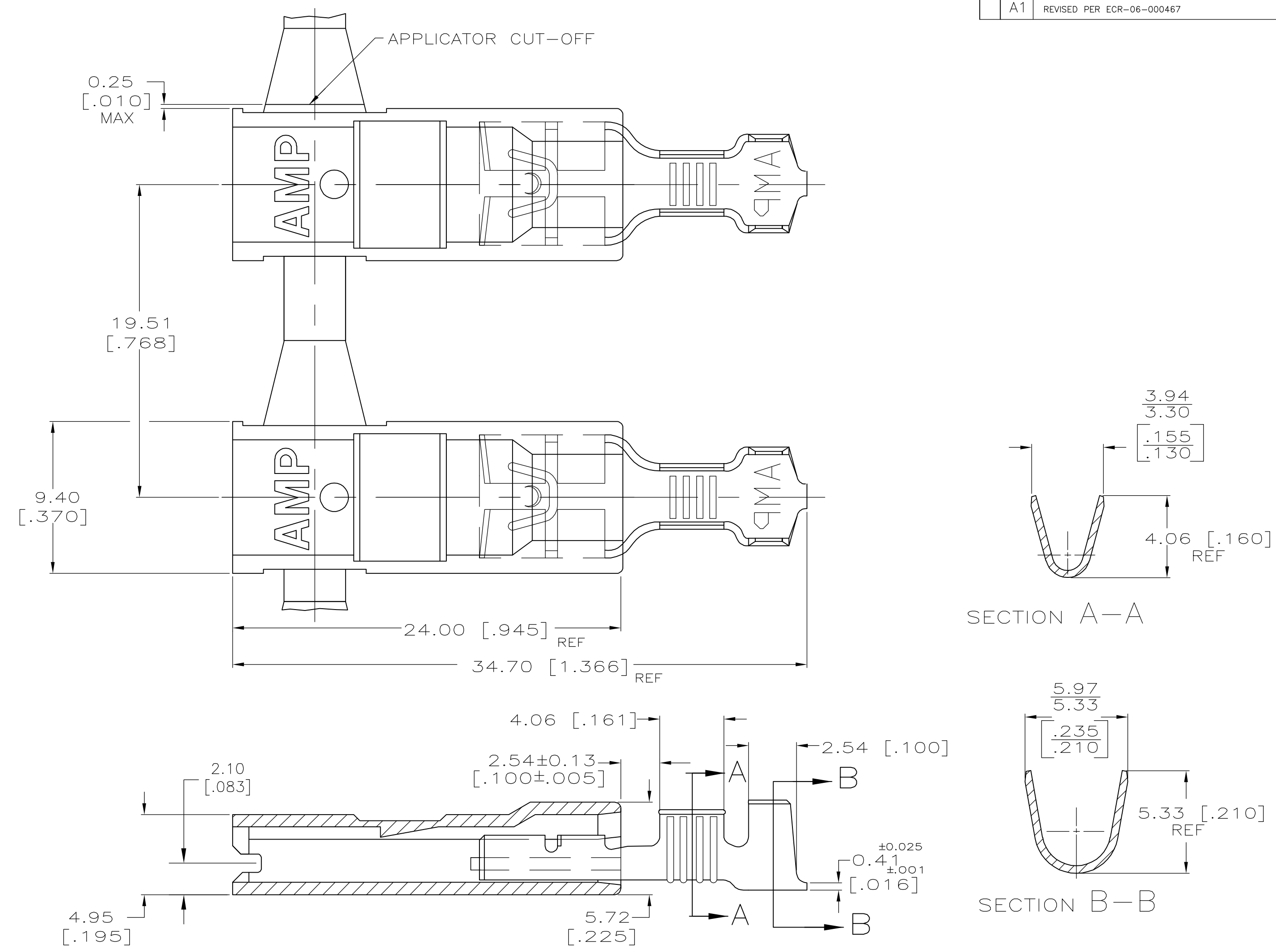


LOC	DIST	REVISIONS			
P	LTR	DESCRIPTION	DATE	DWN	APVD
AF	50	A1	REVISED PER ECR-06-000467	23MAY06	HMR GP



- 1 LOW-INSERTION FASTON TERMINALS, BASE P/N 63957, ARE USED IN THIS PRODUCT.
- 2 TIN PLATE PER .002032 [.000080] MIN PER MIL-T-10727.

TIN PLATE	2.79-4.32 [.110-.170] DIA	0.8-2.0 mm ² [18-14]	0.813 [.032]	521114-1
TERMINAL FINISH	INSULATION RANGE	WIRE SIZE	MATING TAB THK ±0.025 [±.001]	PART NO
THIS DRAWING IS A CONTROLLED DOCUMENT.		DWN JR RUTH 3/21/97	Tyco Electronics Corporation Harrisburg, PA 17105-3608	
DIMENSIONS: mm [INCHES]		CHK MS FEHER 3/21/97		
TOLERANCES UNLESS OTHERWISE SPECIFIED:		APVD J WORMAN 3/21/97		
0 PLC ± - 1 PLC ± - 2 PLC ± - 3 PLC ± 0.25 [.010] 4 PLC ± - ANGLES ± -		PRODUCT SPEC 108-1285 APPLICATION SPEC 114-2124		
MATERIAL HOUSING - 6/6 NYLON TERMINAL - 4M HARD BRASS	FINISH HOUSING - NATURAL TERMINAL - SEE TABLE	WEIGHT -	SIZE A2	CAGE CODE 00779
CUSTOMER DRAWING		DRAWING NO G-521114	RESTRICTED TO -	SCALE 5:1 SHEET 1 of 1 REV A1

单击下面可查看定价，库存，交付和生命周期等信息

[>>TE Connectivity\(泰科\)](#)