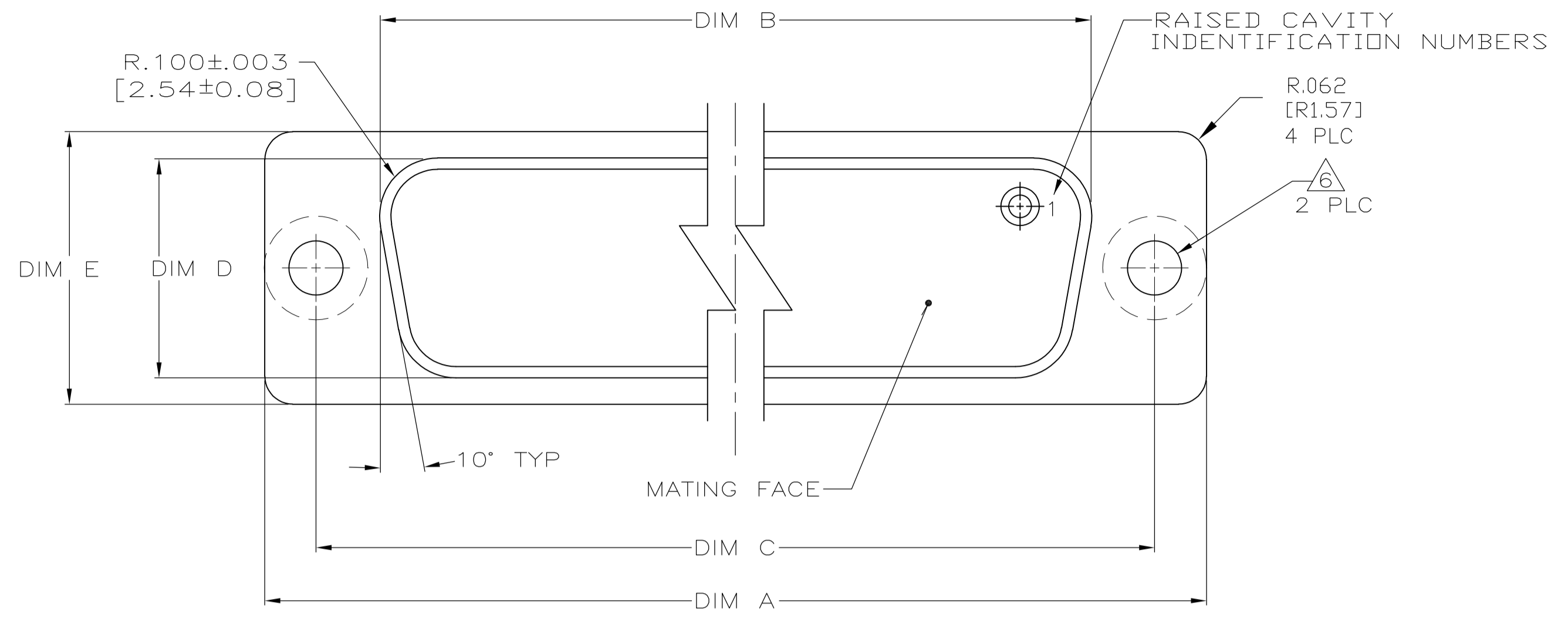
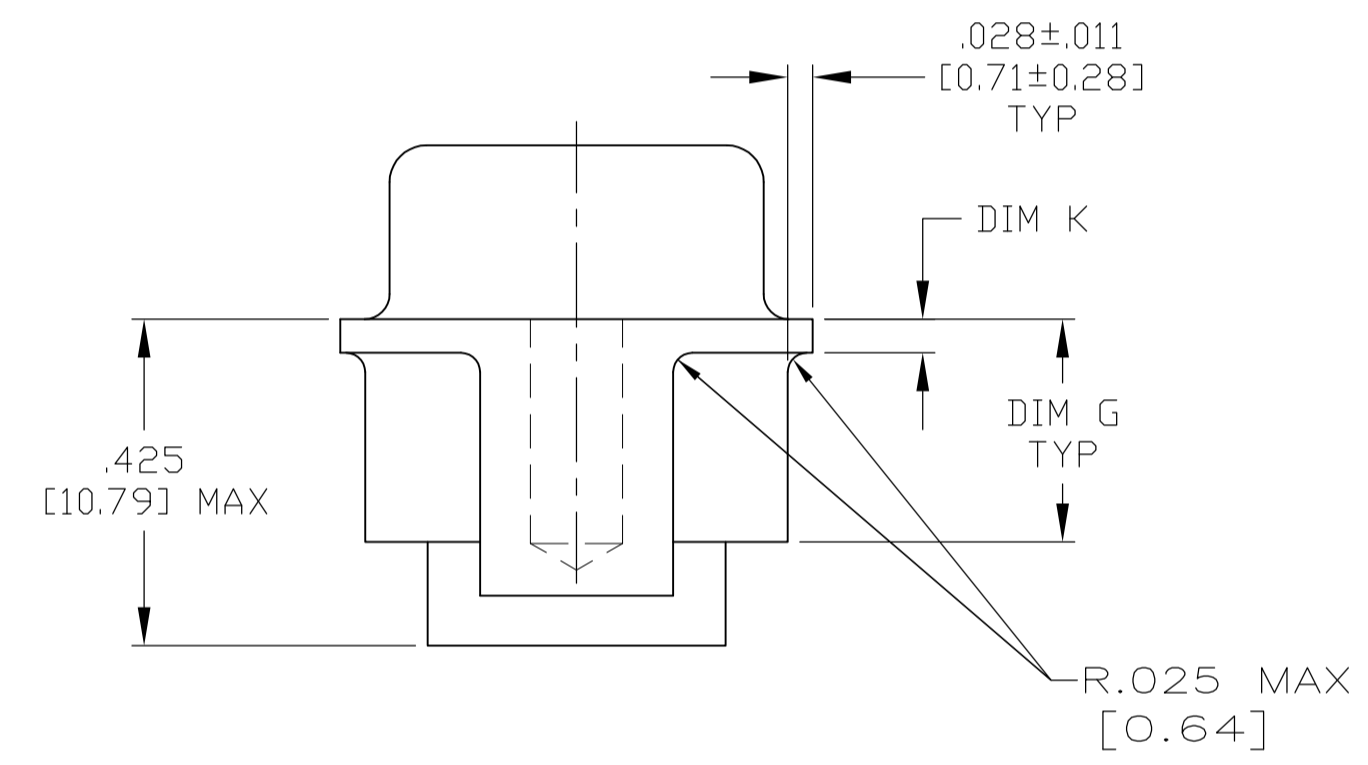
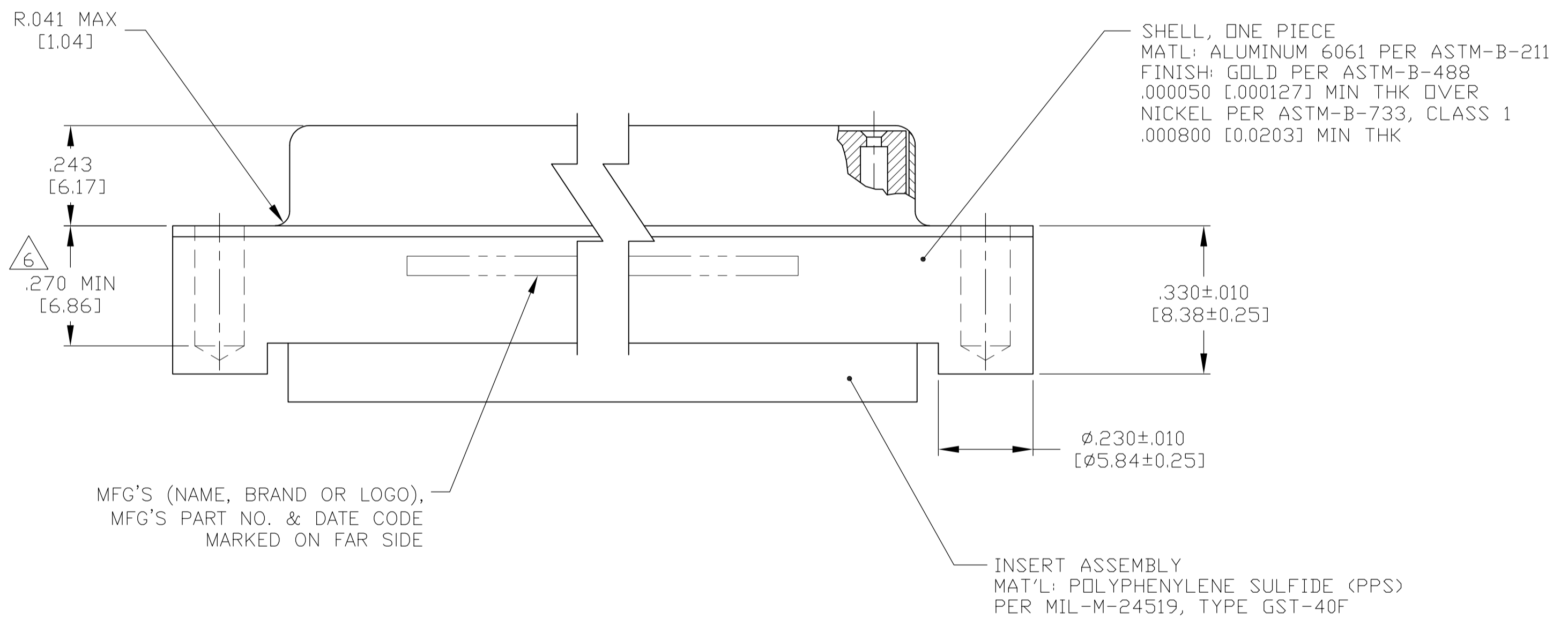


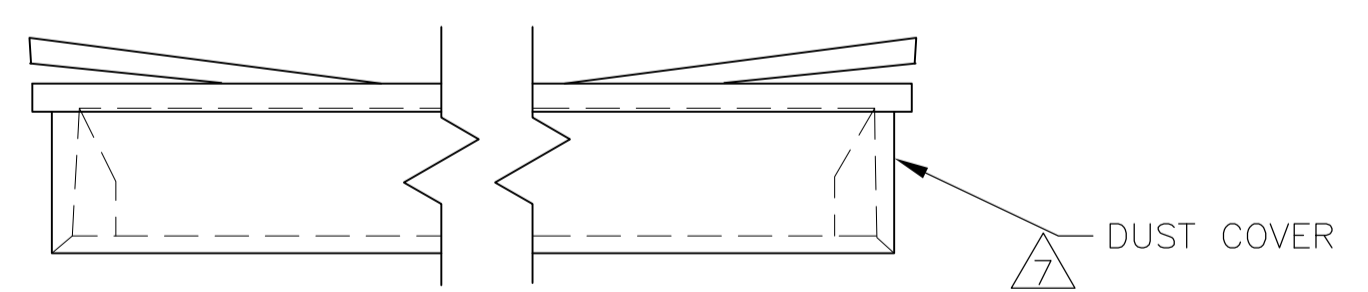
REVISONS		DATE	BY	APPD
NO	DESCRIPTION			
D	REV PER ECO 09-014927	6-24-09	CT	DM



- CONNECTOR(S) WILL BE TESTED IN ACCORDANCE WITH GROUP A INSPECTION OF NASA SPEC S-311-P-4, RESIDUAL MAGNETISM IS NOT REQUIRED.
- THIS CONNECTOR ASSEMBLY MATES WITH ANY MIL-PRF-24308 PLUG CONNECTOR WITH SAME INSERT ARRANGEMENT.
- MARK WITH .047 [1.19]-.062 [1.57] HIGH CHARACTERS. FAR SIDE REFERS TO THE WIDE SIDE OF THE KEYSTONE. NEAR SIDE REFERS TO THE NARROW SIDE OF THE KEYSTONE. IF THE REAR SHELL IS TOO SMALL FOR ALL THE INFORMATION THEN MARKING MAY BE SPLIT BETWEEN NEAR AND FAR SIDE.
- RETENTION SPRING MATERIAL: BERYLLIUM COPPER PER ASTM B 194.
- THIS DRAWING SHALL BE INTERPRETED IN ACCORDANCE WITH APPLICABLE STANDARDS LISTED IN MIL-STD-100.
- .112-40UNC-2B HELICOIL INSERT PER NAS1130-04-15. NO PLATING IS REQUIRED PRIOR TO OR POST INSTALLATION OF THE HELICOIL INSERT.
- A DUST COVER IS ASSEMBLED ON EACH CONNECTOR.



MFG'S (NAME, BRAND OR LOGO),
 MFG'S PART NO. & DATE CODE
 MARKED ON FAR SIDE



.044 [1.12]	.290 [7.37]	.610 [15.49] .600 [15.24]	.428 [10.87] .418 [10.62]	2.411 [61.24] 2.401 [60.99]	2.069 [52.55] 2.059 [52.30]	2.640 [67.06] 2.630 [66.80]	MS18277-2	78	5	1883056-5
.044 [1.12]	.290 [7.37]	.499 [12.67] .489 [12.42]	.316 [8.03] .306 [7.77]	2.505 [63.63] 2.495 [63.37]	2.164 [54.97] 2.154 [54.71]	2.734 [69.44] 2.724 [69.20]	MS18276-2	62	4	1883056-4
.044 [1.12]	.290 [7.37]	.499 [12.67] .489 [12.42]	.316 [8.03] .306 [7.77]	1.857 [47.17] 1.847 [46.91]	1.516 [38.51] 1.506 [38.25]	2.093 [53.16] 2.083 [52.91]	MS18275-2	44	3	1883056-3
.035 [0.89]	.290 [7.37]	.499 [12.67] .489 [12.42]	.316 [8.03] .306 [7.77]	1.317 [33.45] 1.307 [33.20]	.976 [24.79] .966 [24.54]	1.546 [39.27] 1.536 [39.01]	MS18274-2	26	2	1883056-2
.035 [0.89]	.290 [7.37]	.499 [12.67] .489 [12.42]	.316 [8.03] .306 [7.77]	.989 [25.12] .979 [24.87]	.648 [16.46] .638 [16.21]	1.218 [30.94] 1.208 [30.68]	MS18273-2	15	1	1883056-1
K	G±.010 [±0.25]	E	D	C	B	A	INSERT ARRANGEMENT	NO OF POS	SHELL SIZE	MFG'S PART NUMBER

THIS DRAWING IS A CONTROLLED DOCUMENT.

DIMENSIONS: INCHES	TOLERANCES UNLESS OTHERWISE SPECIFIED:	APPROVED	DATE
0 PLC ± -	1 PLC ± -	2 PLC ± -	3 PLC ± .005(0.13)
4 PLC ± -	ANGLES ± -	FINISH	SEE CALLOUT

MATERIAL: SEE CALLOUT

THIS DRAWING IS A CONTROLLED DOCUMENT.

DMN C.C. THOMAS	10-24-05	Tyco Electronics Corporation Harrisburg, PA 17105-3608	
CHK D. MILLER	10-25-05		
APPROVED D. MILLER	10-25-05	NAME	
PRODUCT SPEC		APPLICATION SPEC	
SIZE	CAGE CODE	DRAWING NO	RESTRICTED TO
A1	00779	1883056	
CUSTOMER DRAWING		SCALE 4:1	SHEET 1 OF 1

单击下面可查看定价，库存，交付和生命周期等信息

[>>TE Connectivity\(泰科\)](#)