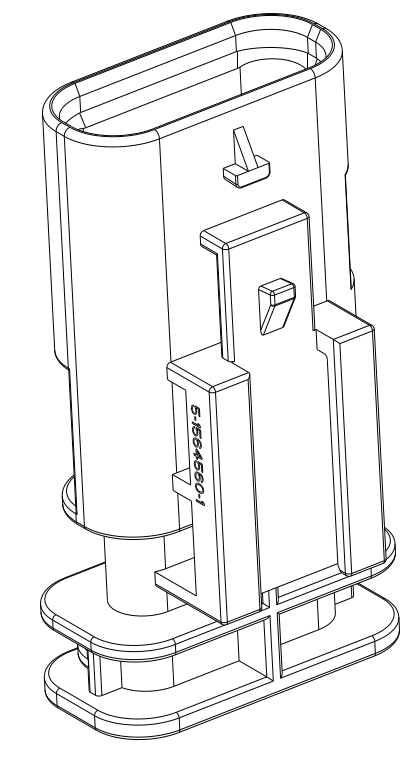
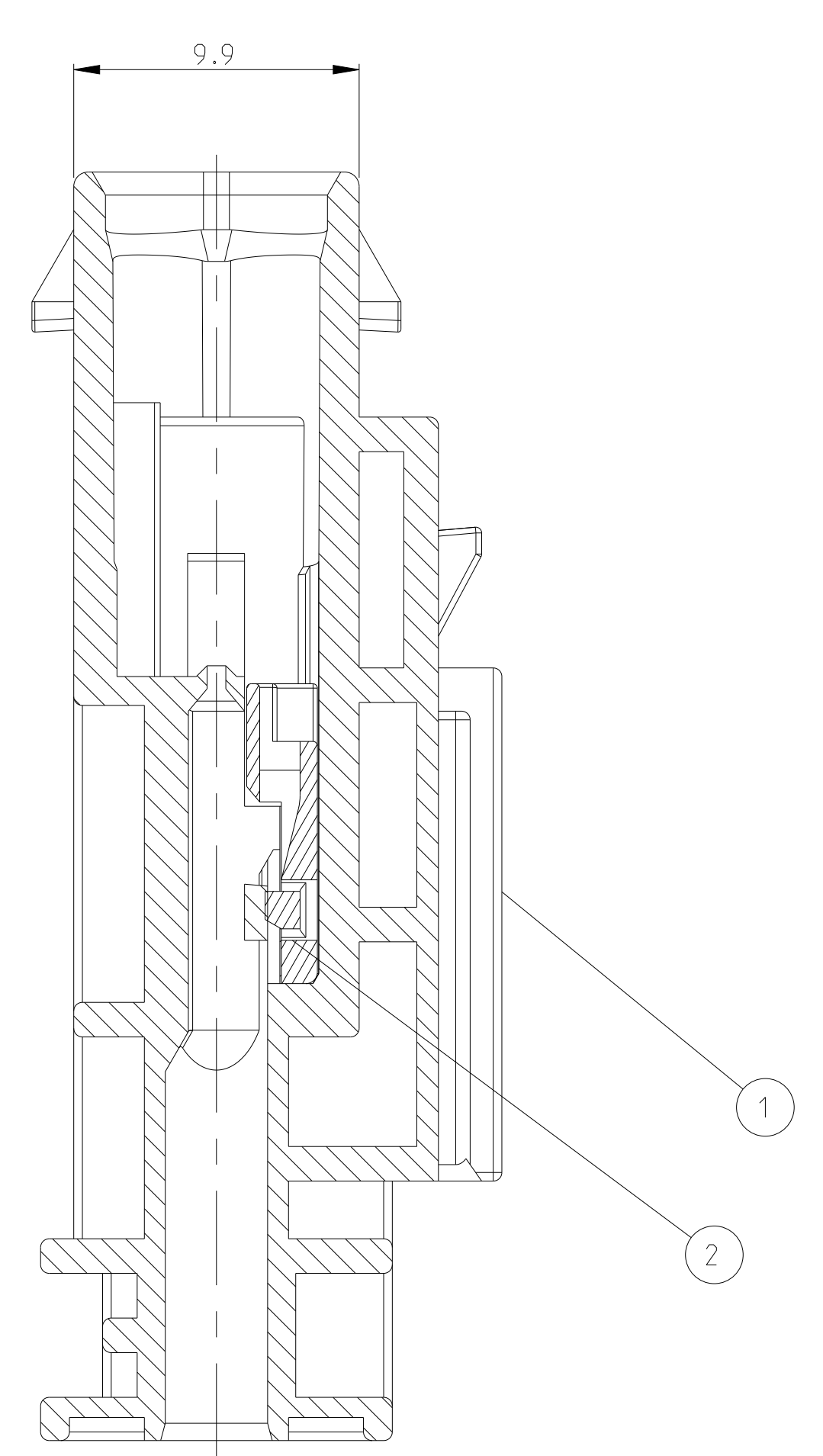
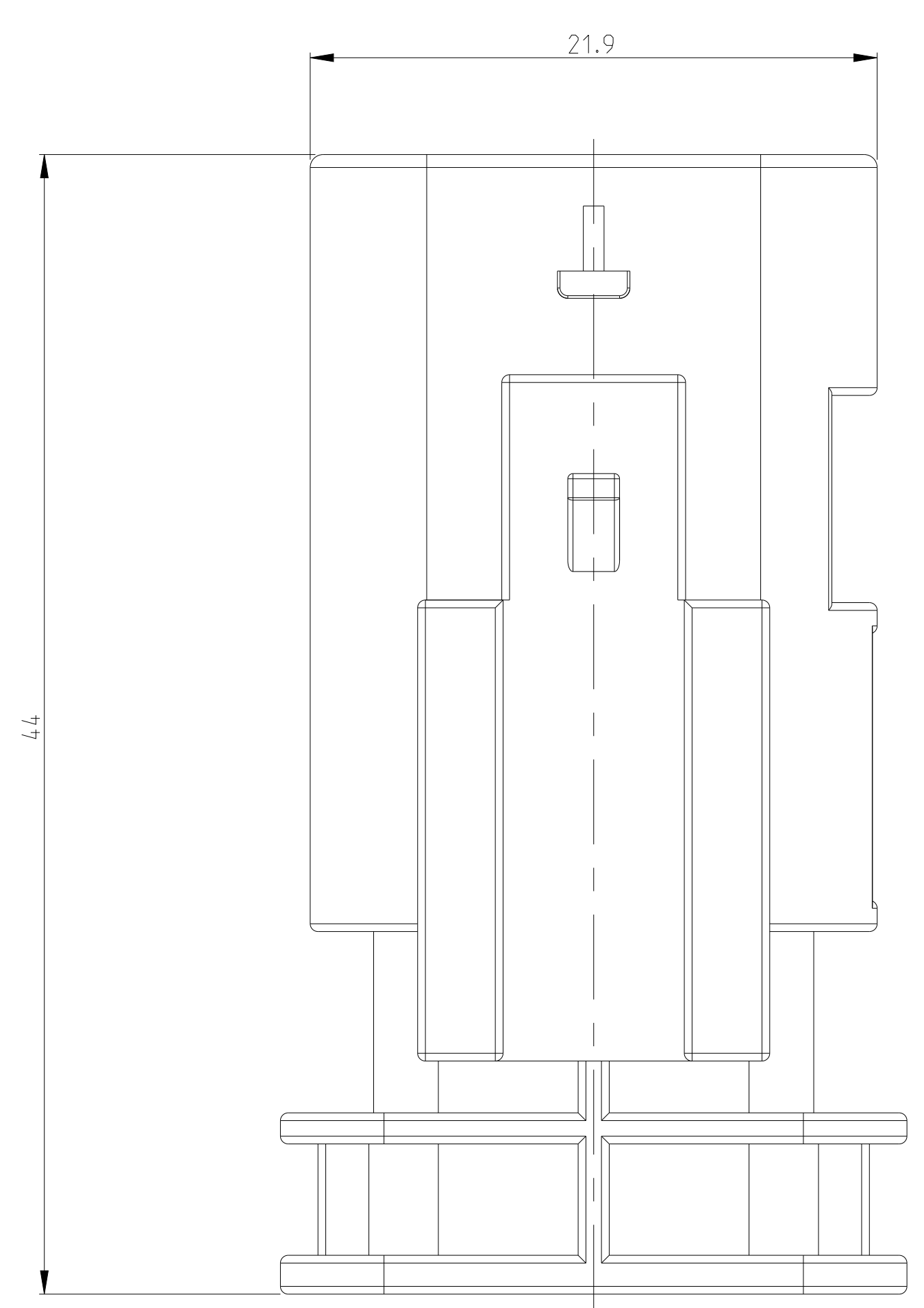
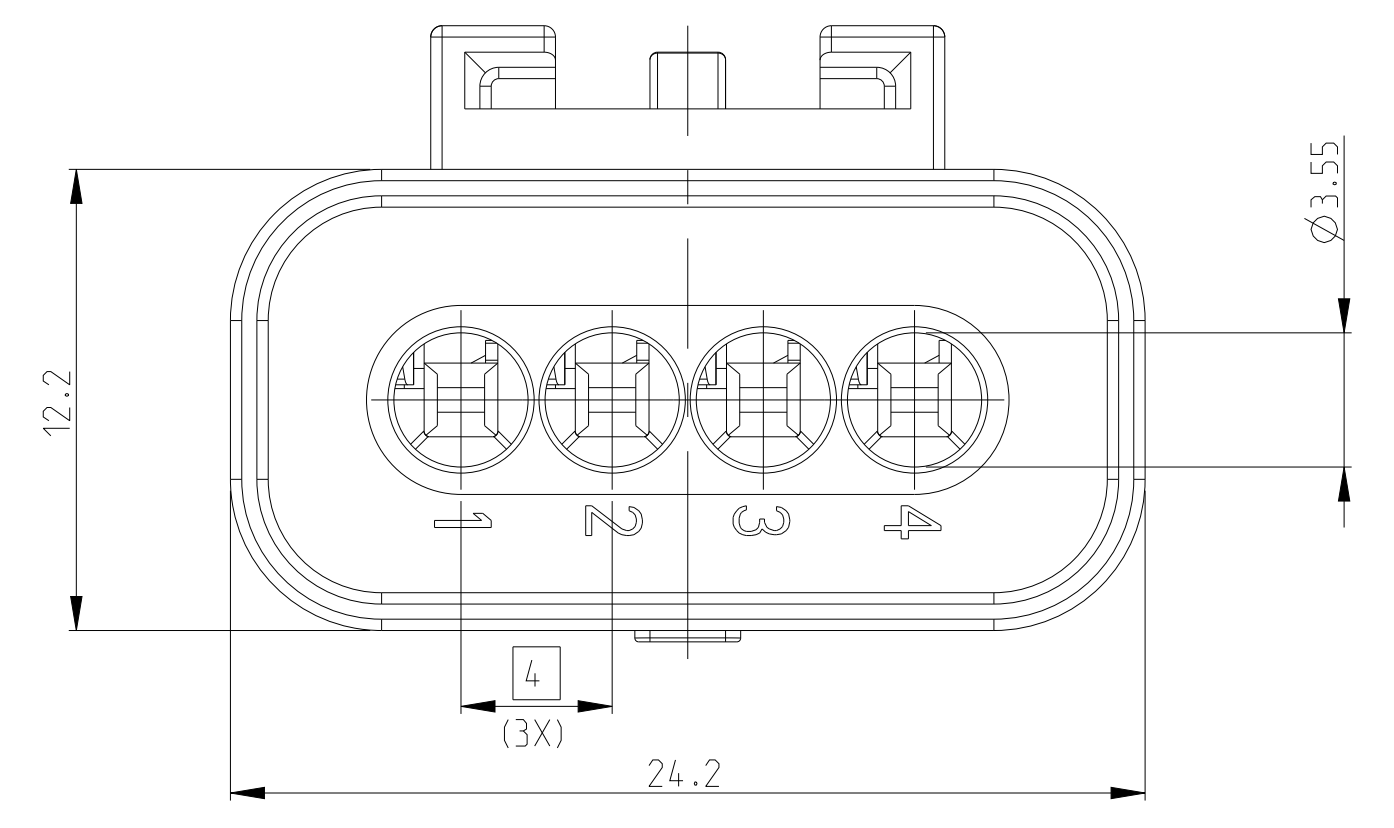


SHOWN 1-1564559-1

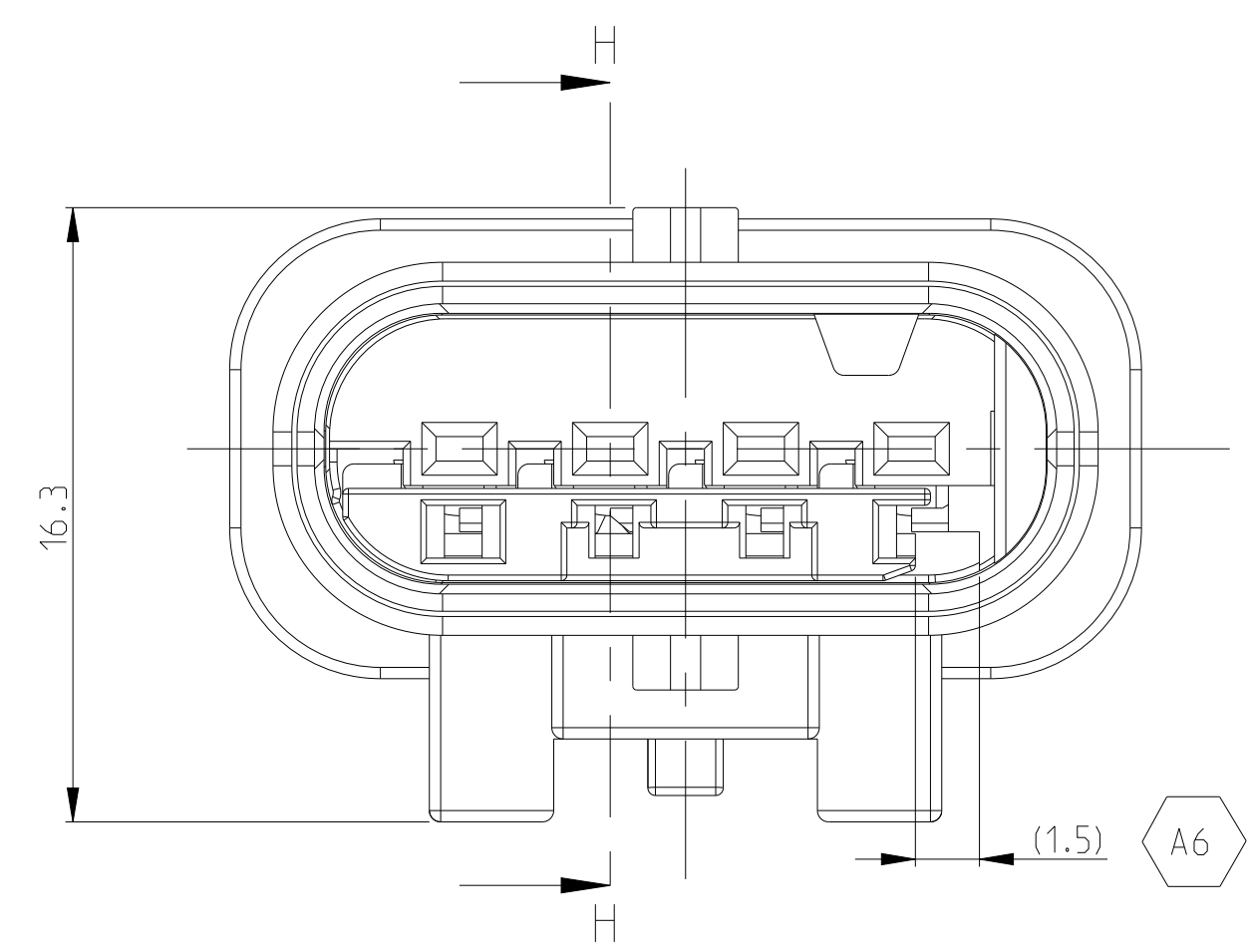


2.1

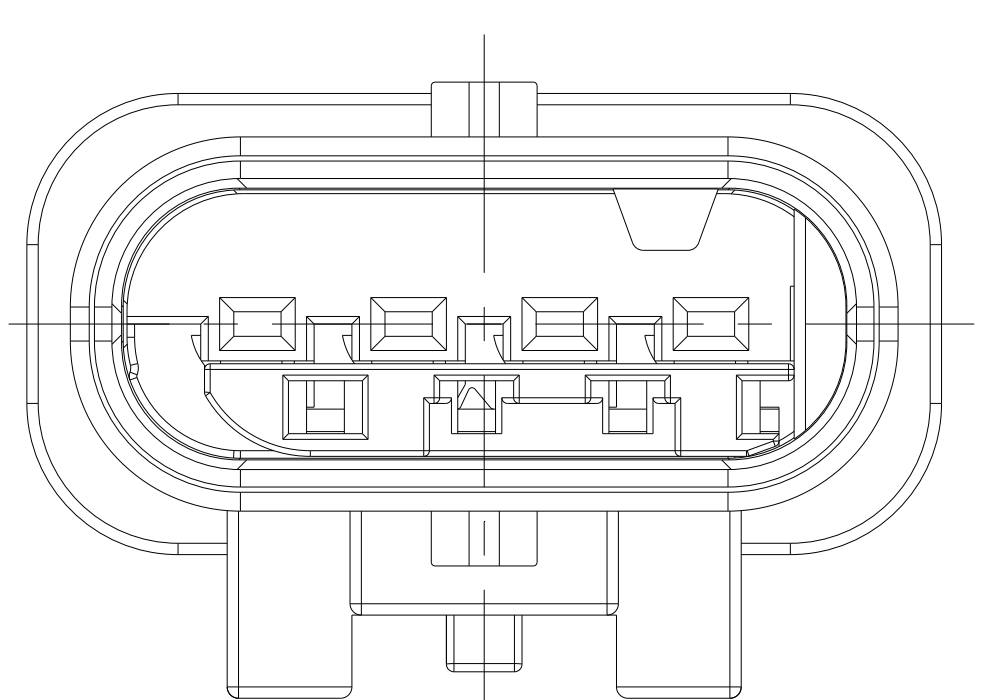


H-H

RETAINER IN PRE LOCKED POSITION
Kontaktsicherung in Vorraststellung

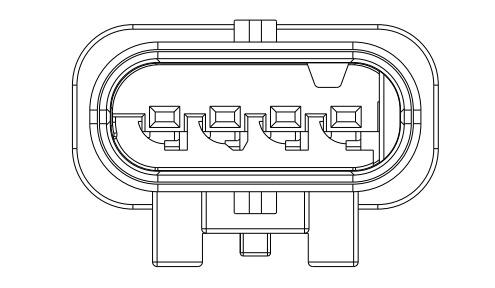


RETAINER IN FINAL LOCKED POSITION
2. Kontaktsicherung in Endraststellung

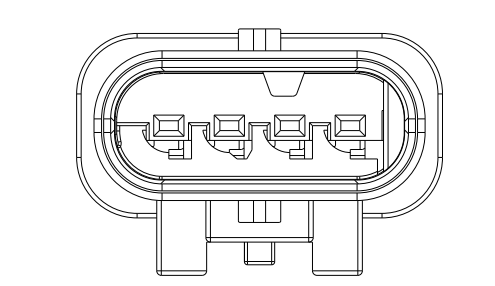


RETAINER MOVING DIRECTION
2. Kontaktsicherung Verschiebeweg

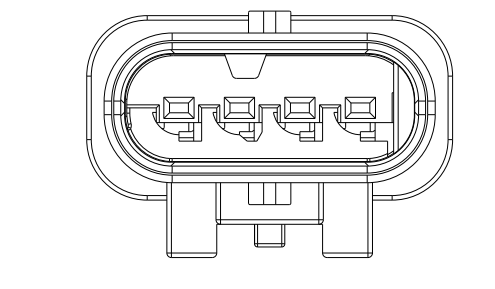
CODINGS 2:1



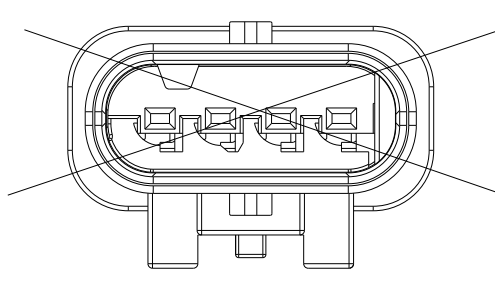
A 1-1564559-1
(BLACK)
1-1564559-4
(YELLOW FOR GM)



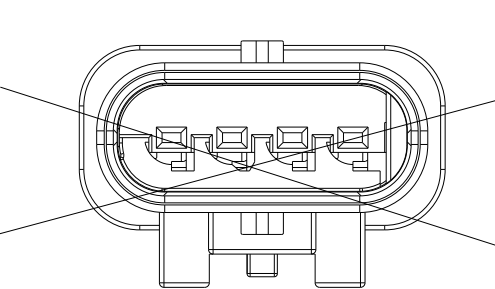
B 2-1564559-1
(GREY)
2-1564559-4
(YELLOW FOR GM)



C 3-1564559-1
3-1564559-4
(YELLOW FOR GM)

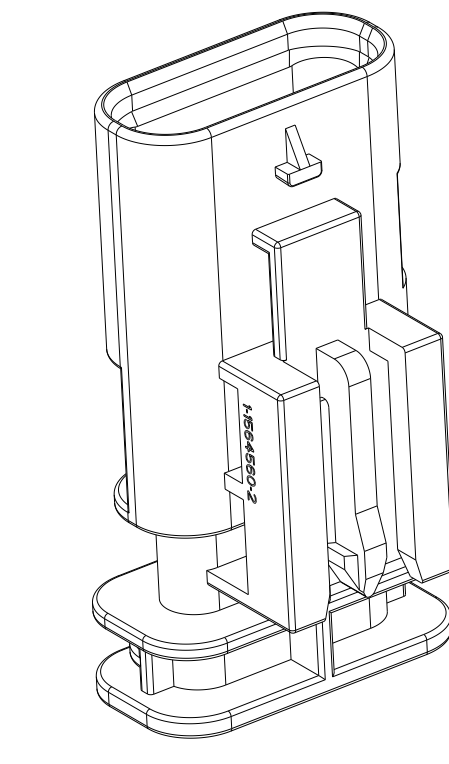


D 4-1564559-1

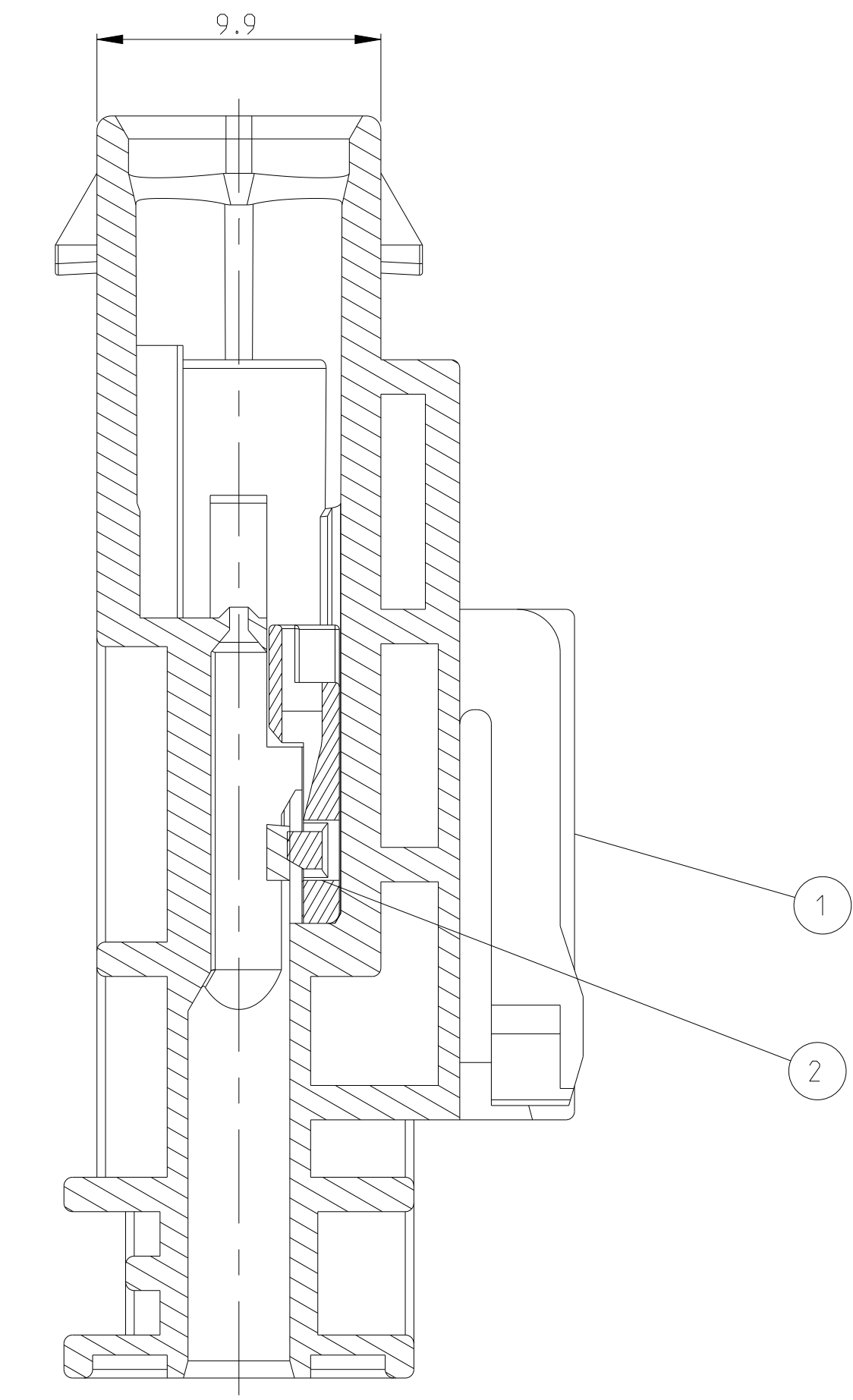
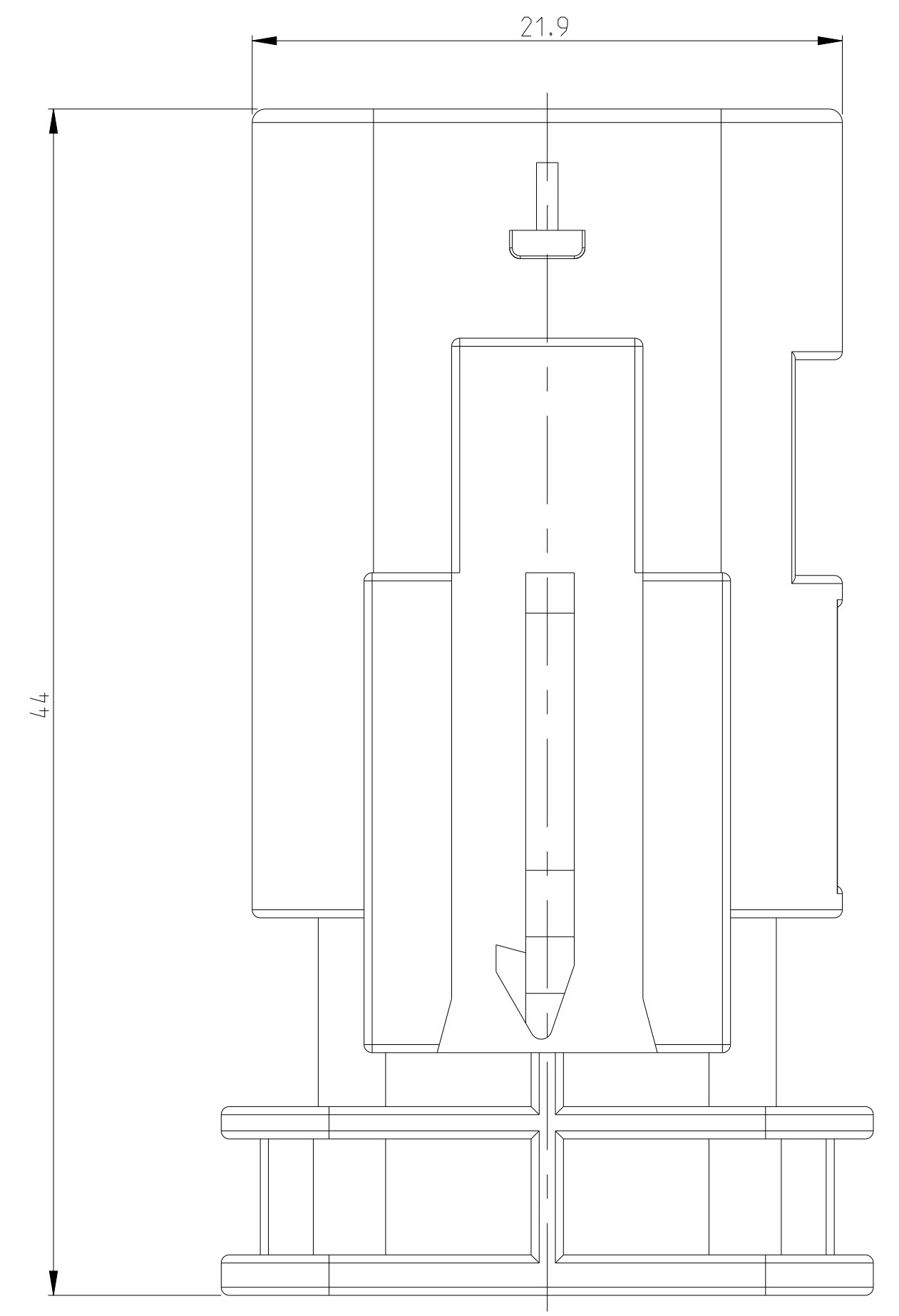
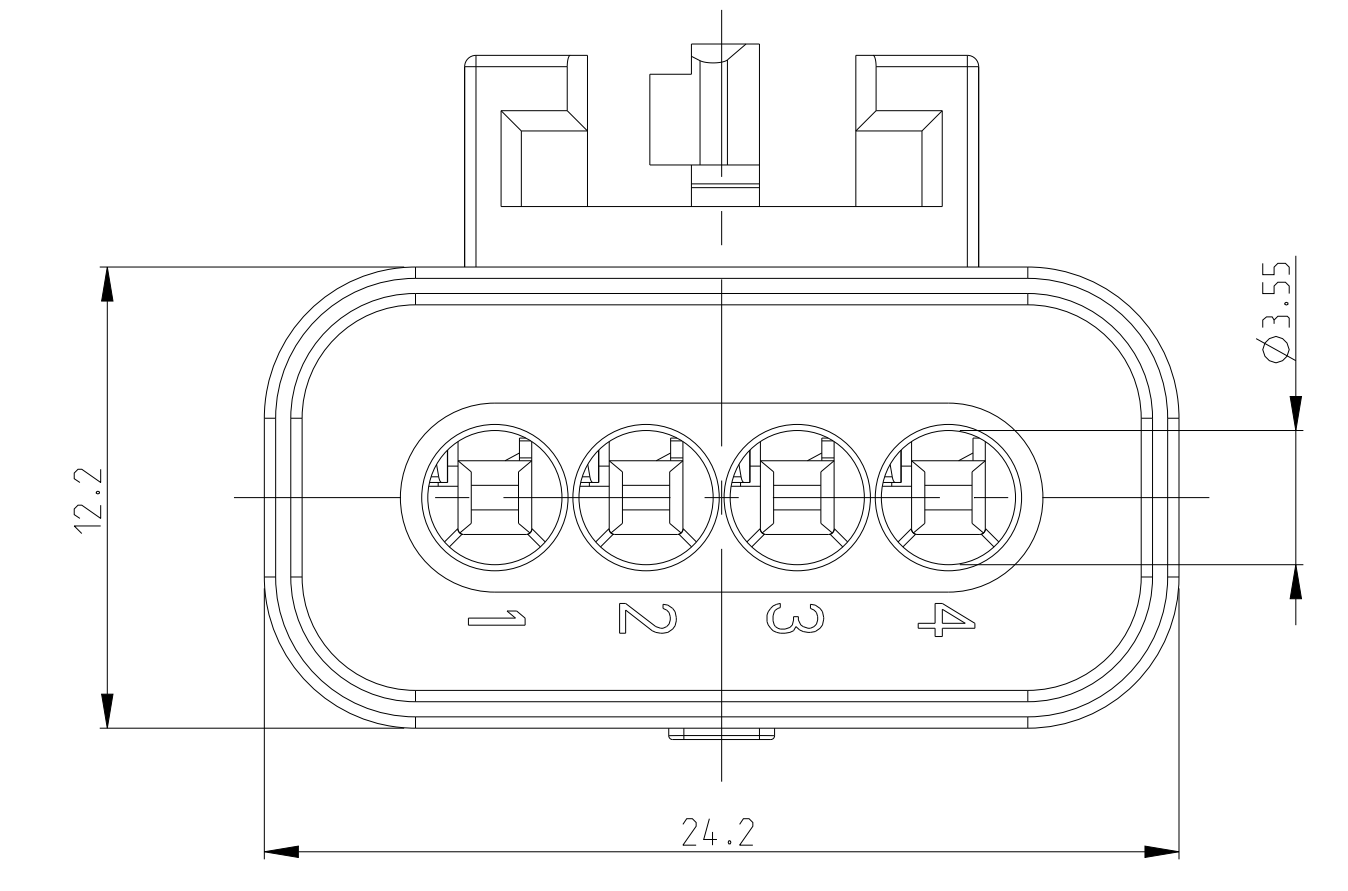


Z 5-1564559-1

SHOWN 1-1564559-2

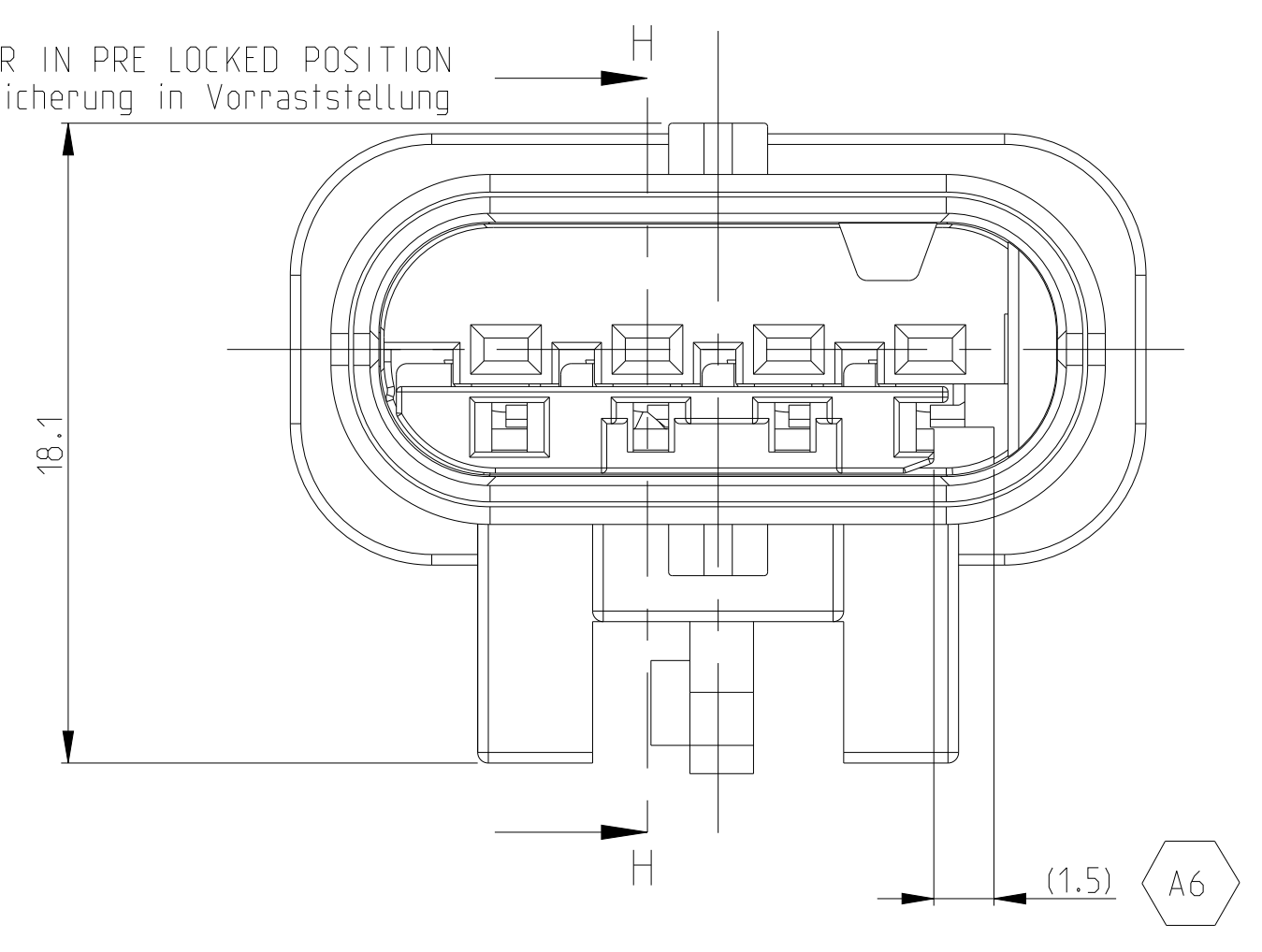


2.1

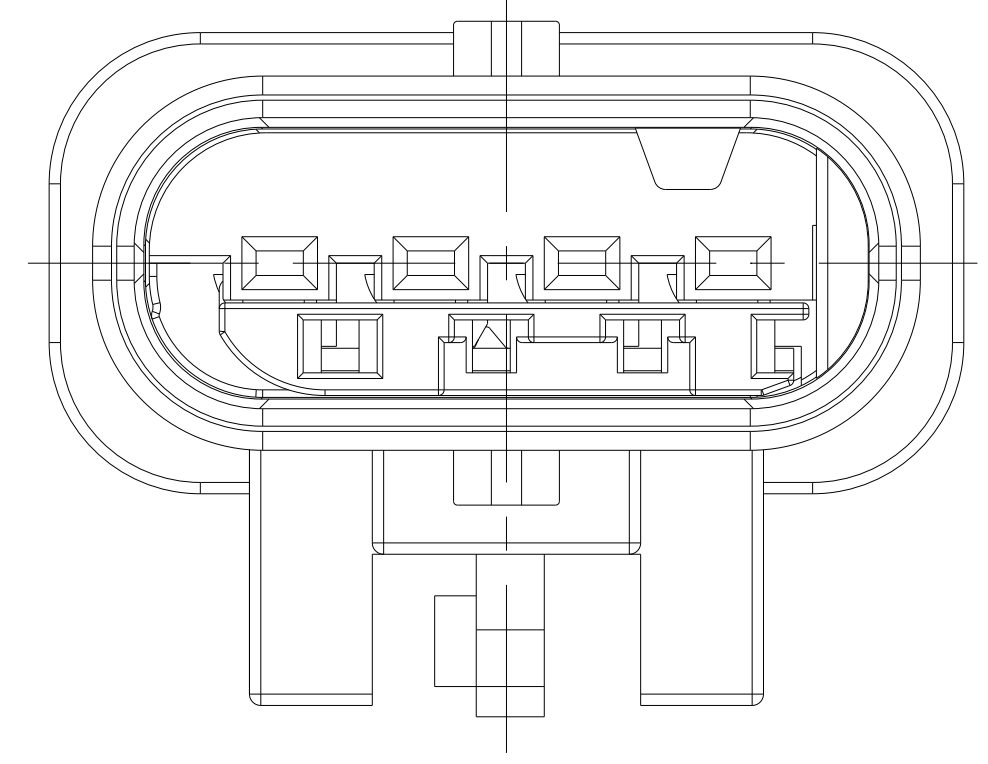


H-H

RETAINER IN PRE LOCKED POSITION
Kontaktsicherung in Vorraststellung



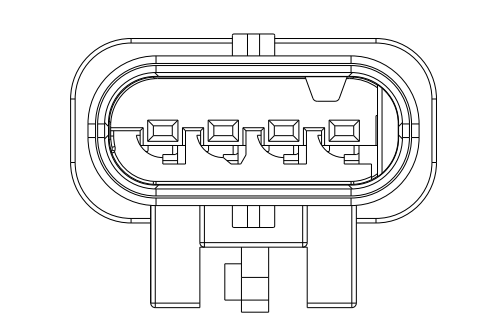
RETAINER IN FINAL LOCKED POSITION
2. Kontaktsicherung in Endraststellung



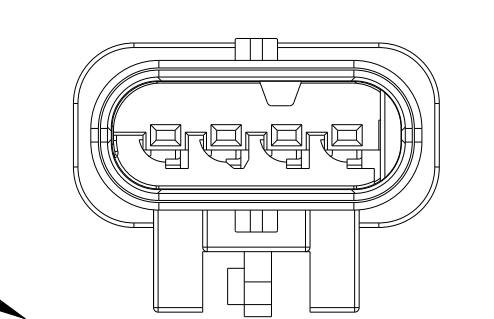
RETAINER MOVING DIRECTION
2. Kontaktsicherung Verschiebeweg

REV	DATE	DESCRIPTION	BY	CHK	APPD
A4	16APR2011	PCN E-11-008327		MT	HR
A5	04OCT2014	PCN E-14-014884		MT	HR
A6	28OCT2021	PCN-21-119051		BV	LSZ

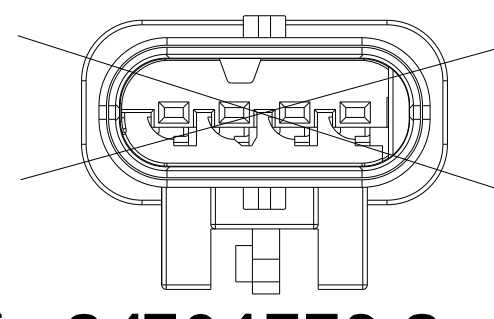
CODINGS 2:1



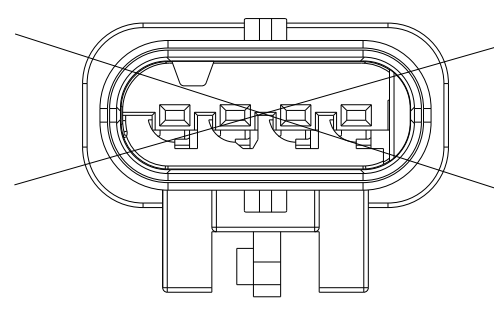
A 1-1564559-2
(BLACK)



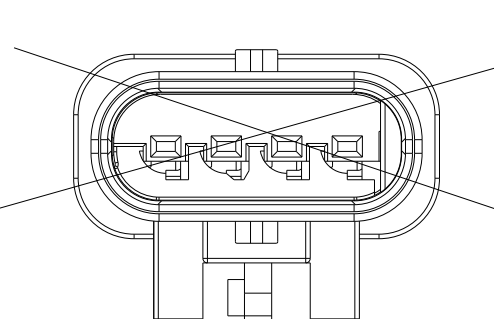
B 2-1564559-2
(GREY)



C 3-1564559-2



D 4-1564559-2



Z 5-1564559-2

TE-PN TERMINALS	WIRE RANGE	TE-PN SINGLE WIRE SEAL	TE-PN BLIND PLUG
2141868	0.08 - 0.22mm ²	967067-2	
1718758	0.25 - 0.35mm ²	967067-2	967056-1
1718760	0.5 - 0.75mm ²	967067-1	
1718762	1mm ²	967067-1	

TERMINAL TE-APPLICATION SPEC.: 114-18464.

TE SUITABLE FEMALE HSG. PASSENDE BUCHSENGH.	TE- Bestell-Nr. ORDER-NO.	ASSY REV. CODE	Benennung TITLE	QTY	Benennung Einzelteil TITLE	Werkstoff MATERIAL	Oberflaeche/Farbe SURFACE/COLOUR	Pos. ITEM
	5-1564559-2		Stiftgehaeuse 4pol. MALE HOUSING 4POS.	1	Kontaktsicherung RETAINER	PA66-GF35	violett/VIOLET	2
	4-1564559-2		Stiftgehaeuse 4pol. MALE HOUSING 4POS.	1	Stiftgehaeuse MALE HOUSING	PBT-GF30	schwarz/BLACK	1z
	3-1564559-2		Stiftgehaeuse 4pol. MALE HOUSING 4POS.	1	Kontaktsicherung RETAINER	PA66-GF35	violett/VIOLET	2
	2-1670918-2		Stiftgehaeuse 4pol. MALE HOUSING 4POS.	1	Kontaktsicherung RETAINER	PA66-GF35	violett/VIOLET	2
	1-1670918-2		Stiftgehaeuse 4pol. MALE HOUSING 4POS.	1	Stiftgehaeuse MALE HOUSING	PBT-GF30	schwarz/BLACK	1a

3-1670918-1	3-1564559-4	A	C	Stiftgehaeuse 4pol. MALE HOUSING 4POS.	1	Kontaktsicherung RETAINER	PA66-GF35	violett/VIOLET	2
2-1670918-1	2-1564559-4	A	B	Stiftgehaeuse 4pol. MALE HOUSING 4POS.	1	Stiftgehaeuse MALE HOUSING	PBT-GF30	gelb/YELLOW	1c
1-1670918-1	1-1564559-4	A	A	Stiftgehaeuse 4pol. MALE HOUSING 4POS.	1	Kontaktsicherung RETAINER	PA66-GF35	violett/VIOLET	2
	5-1564559-1	A	Z	Stiftgehaeuse 4pol. MALE HOUSING 4POS.	1	Kontaktsicherung RETAINER	PA66-GF35	violett/VIOLET	2
	4-1564559-1	A	D	Stiftgehaeuse 4pol. MALE HOUSING 4POS.	1	Stiftgehaeuse MALE HOUSING	PBT-GF30	schwarz/BLACK	1z
	3-1564559-1	A	C	Stiftgehaeuse 4pol. MALE HOUSING 4POS.	1	Kontaktsicherung RETAINER	PA66-GF35	violett/VIOLET	2
2-1670918-1	2-1564559-1	A	B	Stiftgehaeuse 4pol. MALE HOUSING 4POS.	1	Stiftgehaeuse MALE HOUSING	PBT-GF30	schwarz/BLACK	1c
1-1670918-1	1-1564559-1	A	A	Stiftgehaeuse 4pol. MALE HOUSING 4POS.	1	Kontaktsicherung RETAINER	PA66-GF35	violett/VIOLET	2

TE SUITABLE FEMALE HSG. PASSENDE BUCHSENGH.	TE- Bestell-Nr. ORDER-NO.	ASSY REV. CODE	Benennung TITLE	QTY	Benennung Einzelteil TITLE	Werkstoff MATERIAL	Oberflaeche/Farbe SURFACE/COLOUR	Pos. ITEM
	5-1564559-2		Stiftgehaeuse 4pol. MALE HOUSING 4POS.	1	Kontaktsicherung RETAINER	PA66-GF35	violett/VIOLET	2
	4-1564559-2		Stiftgehaeuse 4pol. MALE HOUSING 4POS.	1	Stiftgehaeuse MALE HOUSING	PBT-GF30	schwarz/BLACK	1z
	3-1564559-2		Stiftgehaeuse 4pol. MALE HOUSING 4POS.	1	Kontaktsicherung RETAINER	PA66-GF35	violett/VIOLET	2
	2-1670918-2		Stiftgehaeuse 4pol. MALE HOUSING 4POS.	1	Kontaktsicherung RETAINER	PA66-GF35	violett/VIOLET	2
	1-1670918-2		Stiftgehaeuse 4pol. MALE HOUSING 4POS.	1	Stiftgehaeuse MALE HOUSING	PBT-GF30	schwarz/BLACK	1a

REGRIND MAX. 25%

THIS DRAWING IS A CONTROLLED DOCUMENT. DATE: 07JUL2008
 DIMENSIONS: DIM: 0 PFC 80.5, 1 PFC 80.5, 2 PFC 80.5, 3 PFC 80.5, 4 PFC 80.5, 5 PFC 80.5, 6 PFC 80.5, 7 PFC 80.5, 8 PFC 80.5, 9 PFC 80.5, 10 PFC 80.5
 MATERIAL: FINISH: 40
 WEIGHT: 6.76g
 CUSTOMER DRAWING
 DATE: 07JUL2008
 CH. RIBBER: 07JUL2008
 G. MUMPER: 08JUL2008
 PRODUCT SPEC: 108-94.177-1
 APPLICATION SPEC: 114-18910-1
 SCALE: 6.76g
 DATE: 07JUL2008
 CH. RIBBER: 07JUL2008
 G. MUMPER: 08JUL2008
 PRODUCT SPEC: 108-94.177-1
 APPLICATION SPEC: 114-18910-1
 SCALE: 6.76g
 CUSTOMER DRAWING

STE TE Connectivity
 MALE HOUSING, 4Pos., MCON 1.2 SEALED TOP / SIDE LATCH
 Stiftgehaeuse, 4pol., MCON 1.2 gedichtet
 A0 00779 C=1564559
 SCALE: 5:1 SHEET 1 OF 1 REV: A6

单击下面可查看定价，库存，交付和生命周期等信息

[>>TE Connectivity\(泰科\)](#)