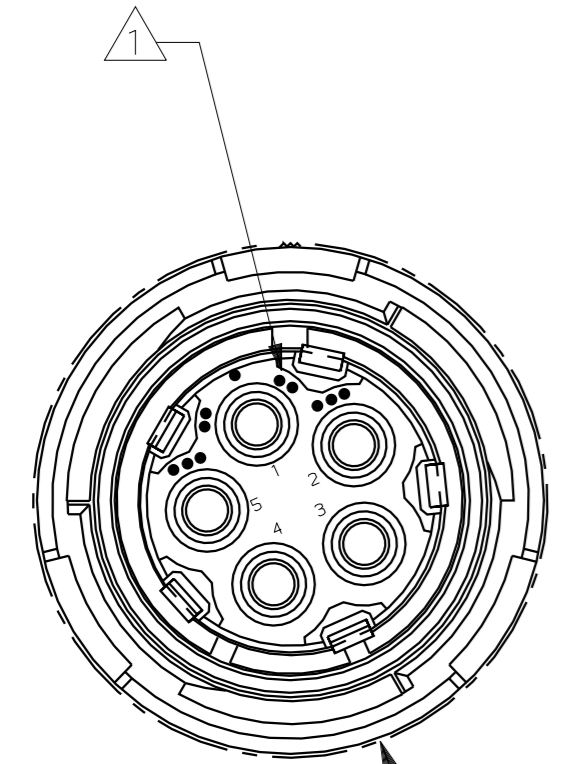
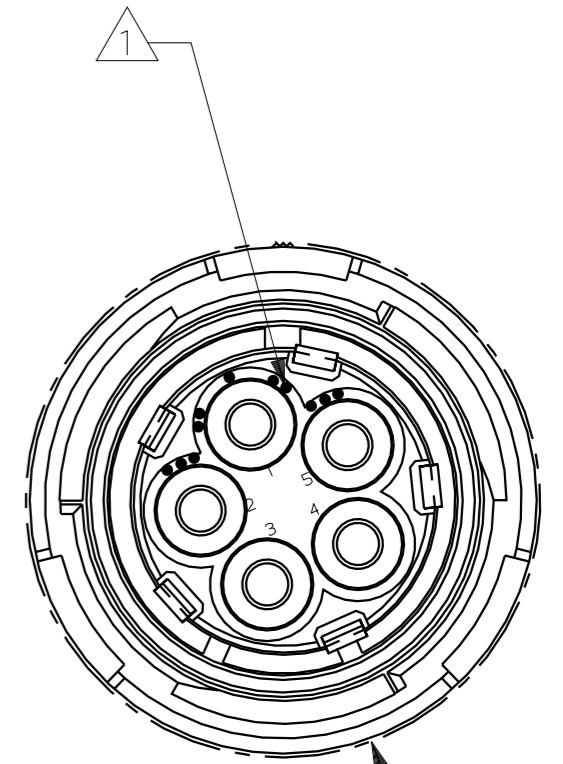
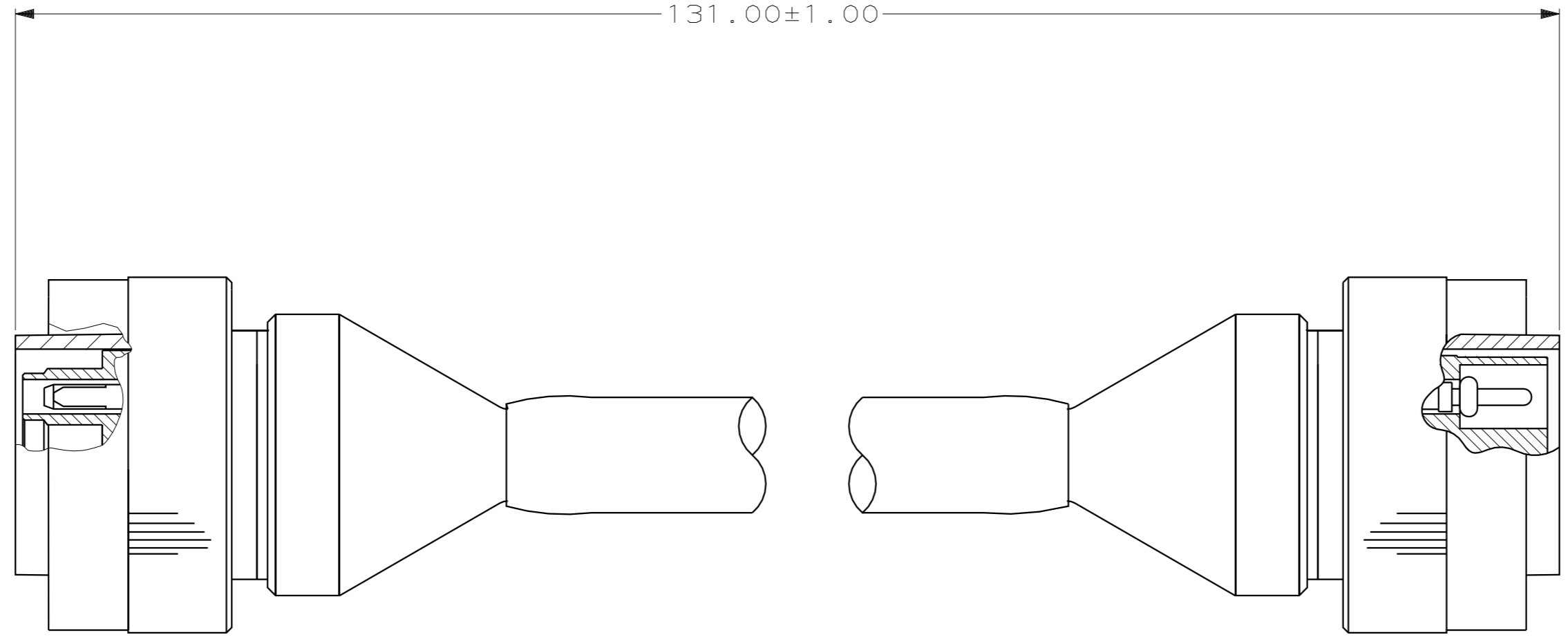


THIS DRAWING IS UNPUBLISHED. RELEASED FOR PUBLICATION
 BY AMP INCORPORATED. ALL RIGHTS RESERVED.

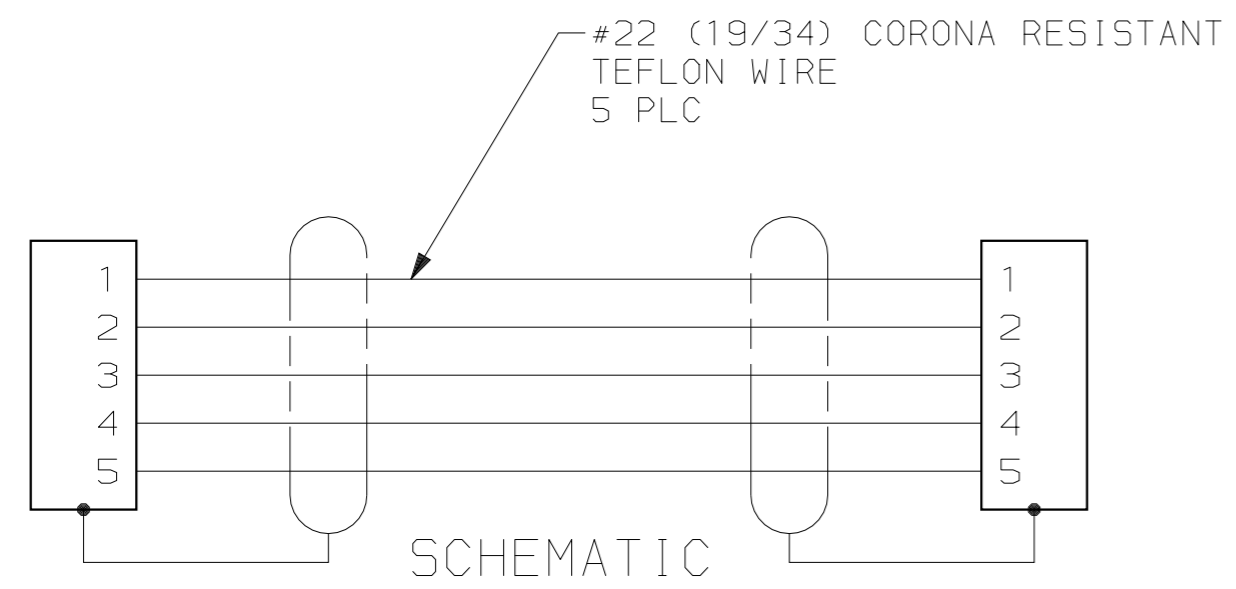
LOC	DIST	REVISIONS			
P	LTR	DESCRIPTION	DATE	DWN	APVD
DF	SO				
B		REV PER 0H14-0575-04	8-25-04	CT	DE



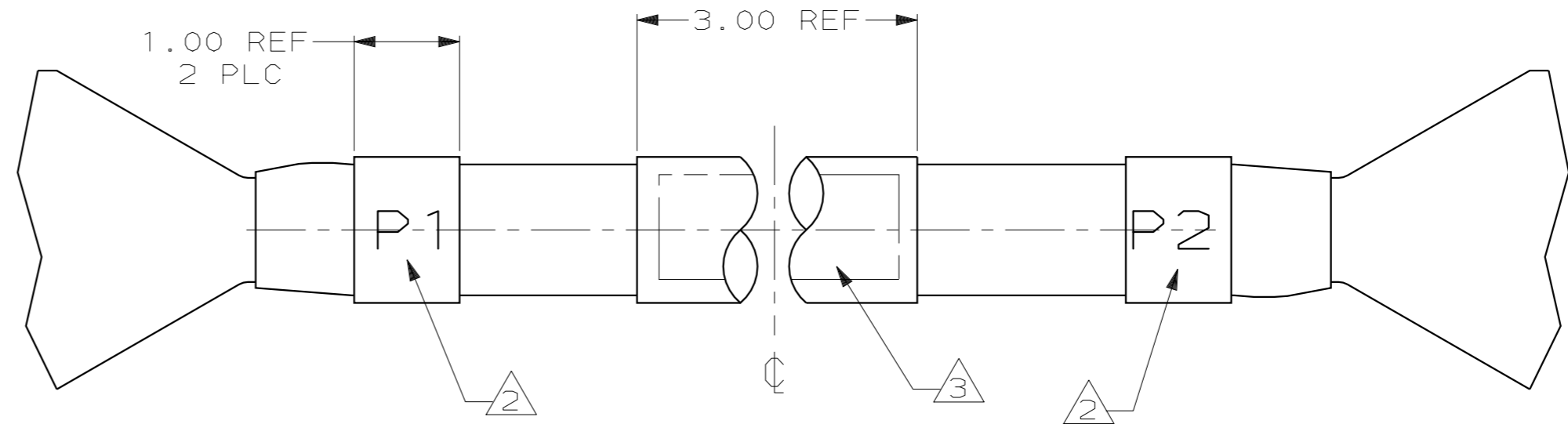
REF PLUG KIT
TYCO PART NO. 864065-1



REF PLUG KIT
TYCO PART NO. 864063-1



SCHEMATIC



MARKING DETAIL

- ① DOUBLE DOT POLARIZATION.
- ② P1 & P2 MARKED IN THESE AREAS
- ③ TYCO INFORMATION AND CUSTOMER INFORMATION (PER TABLE) MARKED IN THIS AREA.

09062-A4A0463-1 REV. __ - 00779	1757231-1
CUSTOMER MARKING ③	PART NO.

THIS DRAWING IS A CONTROLLED DOCUMENT.		DWN C.C. THOMAS 7-26-04	tyco	TYCO Electronics Harrisburg, PA 17105-3608	AMP
DIMENSIONS: INCHES		CHK D.EABY 7-26-04			
TOLERANCES UNLESS OTHERWISE SPECIFIED:		APVD D.EABY 7-26-04	NAME		
0 PLC ±-		PRODUCT SPEC	LGH CABLE ASSY, 5 POSN., DBL ENDED, PLUG TO PLUG		
1 PLC ±-		APPLICATION SPEC	SIZE	CAGE CODE	DRAWING NO
2 PLC ±-			A2	00779	C- 1757231
3 PLC ±-		WEIGHT	RESTRICTED TO		
4 PLC ±-			-		
ANGLES ±-		CUSTOMER DRAWING	SCALE	SHEET	REV
FINISH -			2:1	1 OF 1	B

单击下面可查看定价，库存，交付和生命周期等信息

[>>TE Connectivity\(泰科\)](#)