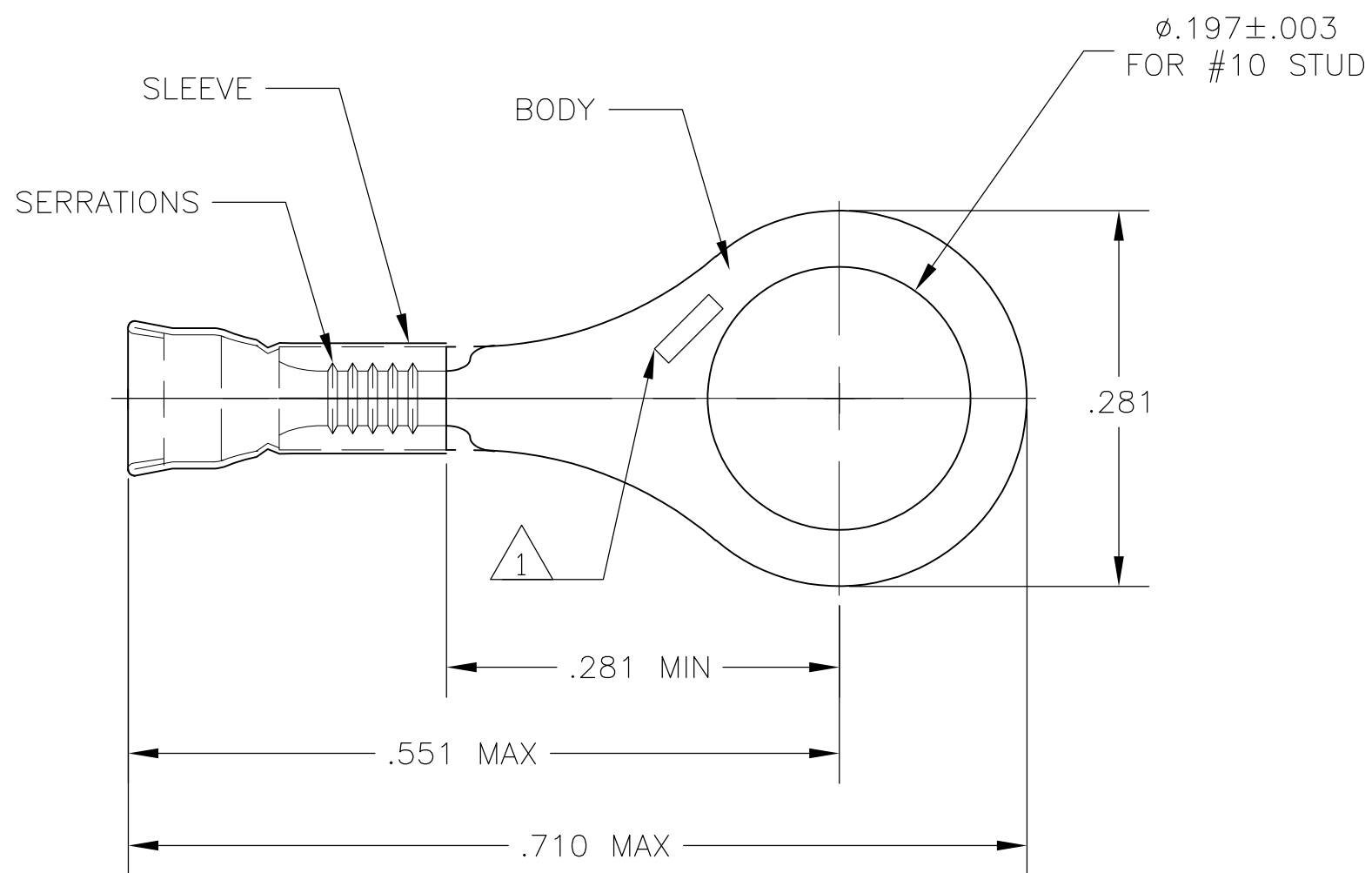


THIS DRAWING IS UNPUBLISHED. RELEASED FOR PUBLICATION
 © COPYRIGHT - BY TYCO ELECTRONICS CORPORATION. ALL RIGHTS RESERVED.

LOC	DIST	REVISIONS			
P	LTR	DESCRIPTION	DATE	DWN	APVD
G	14	A	REL PER ECR 08-001116	15JAN08	JR MS



- 1 STAMP AMP, LOCATE APPROX AS SHOWN.
- 2 WIRE INSULATION DIA .050-.082.
- 3 TONGUE MATL THK .018±.002
- 4 MATERIAL:
 BODY - COPPER PER ASTM B-152
 SLEEVE - COPPER PER ASTM B-152
- 5 FINISH:
 BODY, TIN-LEAD 60/40, .000300 MIN THK
 SLEEVE, TIN-LEAD 60/40, .000300 MIN THK
- 6 MAXIMUM RECOMMENDED OPERATING TEMP 170°C MAX
- 7 CIRCULAR MIL AREA:
 0.10mm-0.41mm² [202-810], STRANDED WIRE

1000	LOOSE PIECE	1958074-1
QTY	PACKAGE TYPE	PART NO

THIS DRAWING IS A CONTROLLED DOCUMENT.		DWN jr_ruth 15JAN07	Tyco Electronics Corporation Harrisburg, PA 17105-3608	
DIMENSIONS: INCHES		CHK M SPICER 15JAN07		
		APVD M SPICER 15JAN07	NAME TERMINAL, RING, DIAMOND GRIP, WIRE SIZE 26-22 AWG	
TOLERANCES UNLESS OTHERWISE SPECIFIED:		PRODUCT SPEC	RESTRICTED TO	
0 PLC ± - 1 PLC ± - 2 PLC ± - 3 PLC ± .008 4 PLC ± - ANGLES ± 5°		APPLICATION SPEC	SIZE A3	CAGE CODE 00779
MATERIAL		WEIGHT	DRAWING NO C-1958074	REV A
FINISH		CUSTOMER DRAWING		
4		SCALE 8:1 SHEET 1 OF 1		
5				

单击下面可查看定价，库存，交付和生命周期等信息

[>>TE Connectivity\(泰科\)](#)