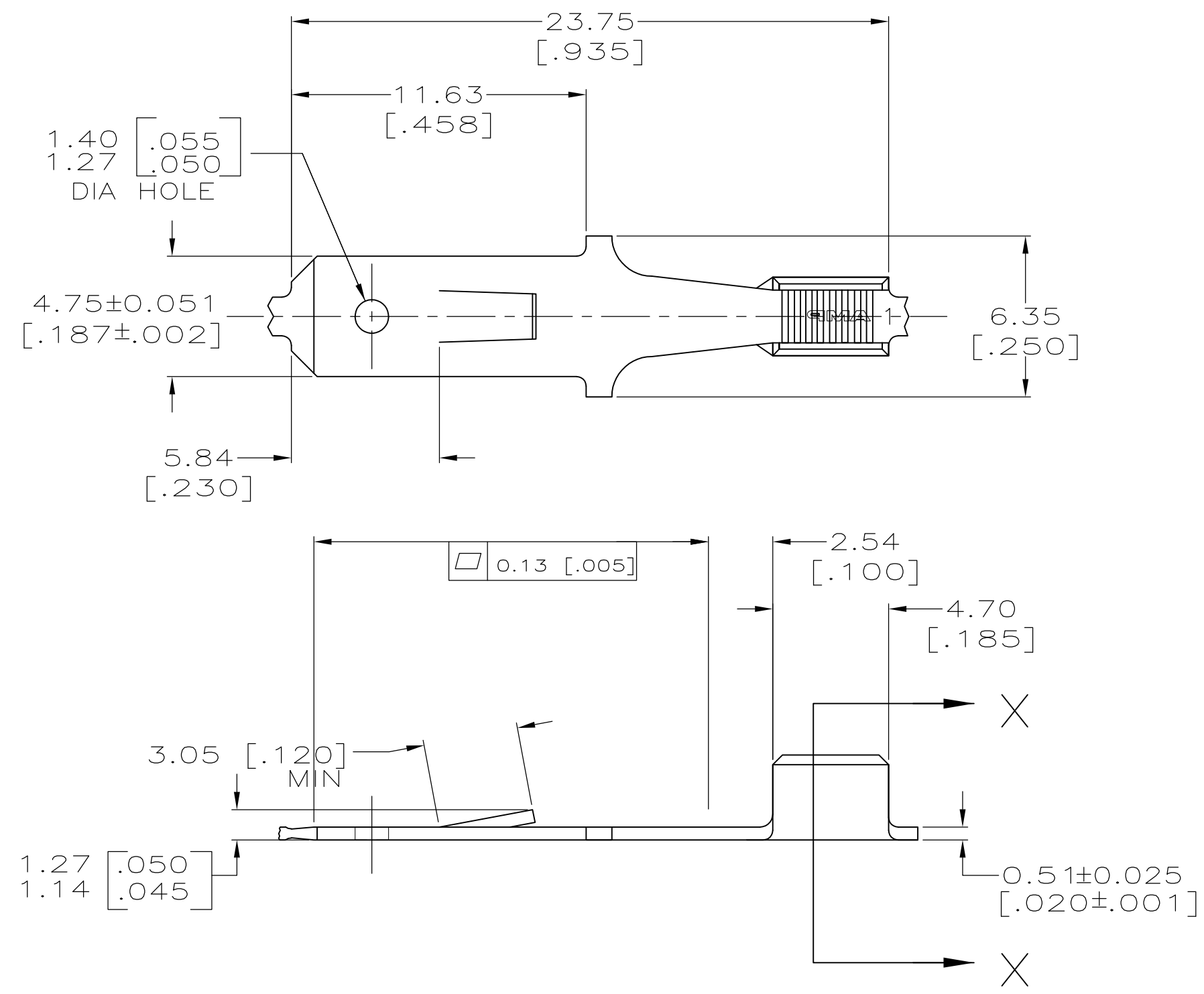
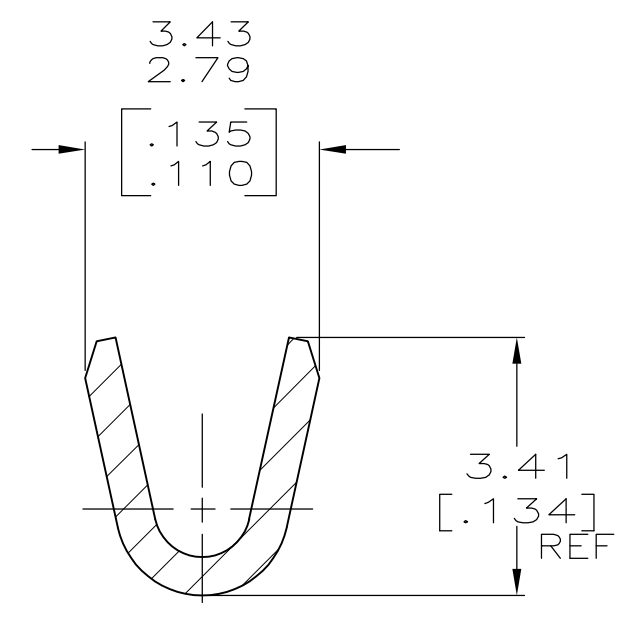


THIS DRAWING IS UNPUBLISHED. RELEASED FOR PUBLICATION
 © COPYRIGHT - By - ALL RIGHTS RESERVED.

LOC	DIST	REVISIONS			
P	LTR	DESCRIPTION	DATE	DWN	APVD
AF	50	F	REVISED PER ECR-13-005733	27AUG2013	KH PD



- 1 CONTINUOUS STRIP ON REELS.
- 2 WIRE SIZE IS [#21-#16] MAGNET WIRE.
- 3 REVERSE REELING OF 62731-1.
- 4 OBSOLETE PARTS: OBSOLETE CIS STREAMLINING PER D.RENAUD/D.SINISI



SECTION X-X
SCALE 10:1

4 OBSOLETE	-62731-2-
	62731-1
	PART NO.

THIS DRAWING IS A CONTROLLED DOCUMENT.		DWN	JR RUTH	12/17/98	STE TE Connectivity		
DIMENSIONS: mm [INCHES]		CHK	MS FEHER	12/17/98			
TOLERANCES UNLESS OTHERWISE SPECIFIED:		APVD	S UNGER	12/17/98	NAME		
0 PLC ± -		PRODUCT SPEC		TAB, FASTIN-FASTON, AMPLIVAR, 4.75 [.187] SERIES			
1 PLC ± -		APPLICATION SPEC		SIZE			
2 PLC ± 0.25 [.010]		WEIGHT		A3 00779		DRAWING NO	
3 PLC ± -		CUSTOMER DRAWING		C-62731		RESTRICTED TO	
4 PLC ± -		SCALE		5:1		SHEET	
ANGLES ± -		SHEET		1 OF 1		REV	
MATERIAL		FINISH		MIN TIN		F	
BRASS		0.002032 [.000080]					

单击下面可查看定价，库存，交付和生命周期等信息

[>>TE Connectivity\(泰科\)](#)