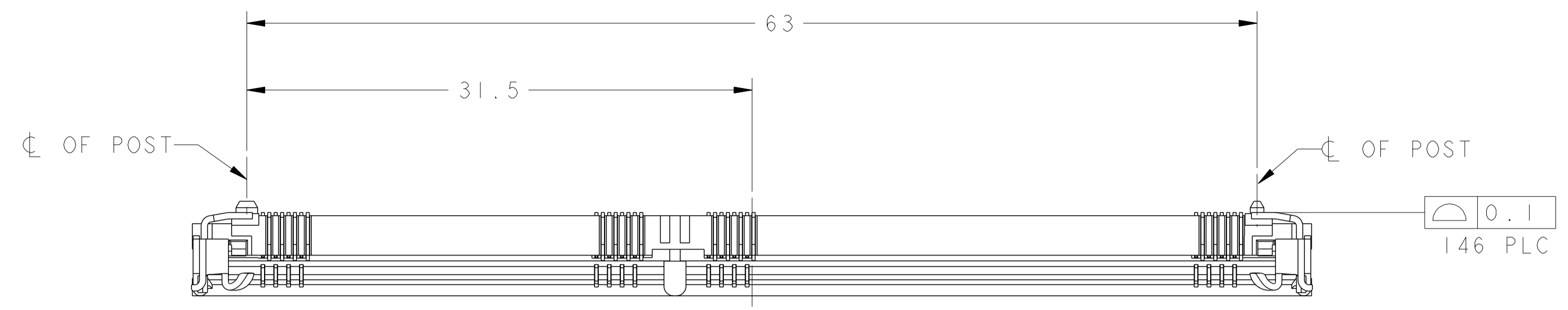
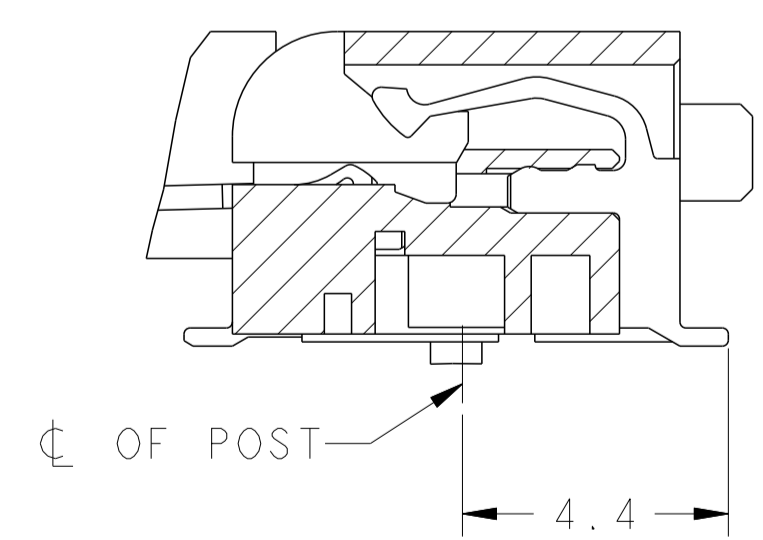
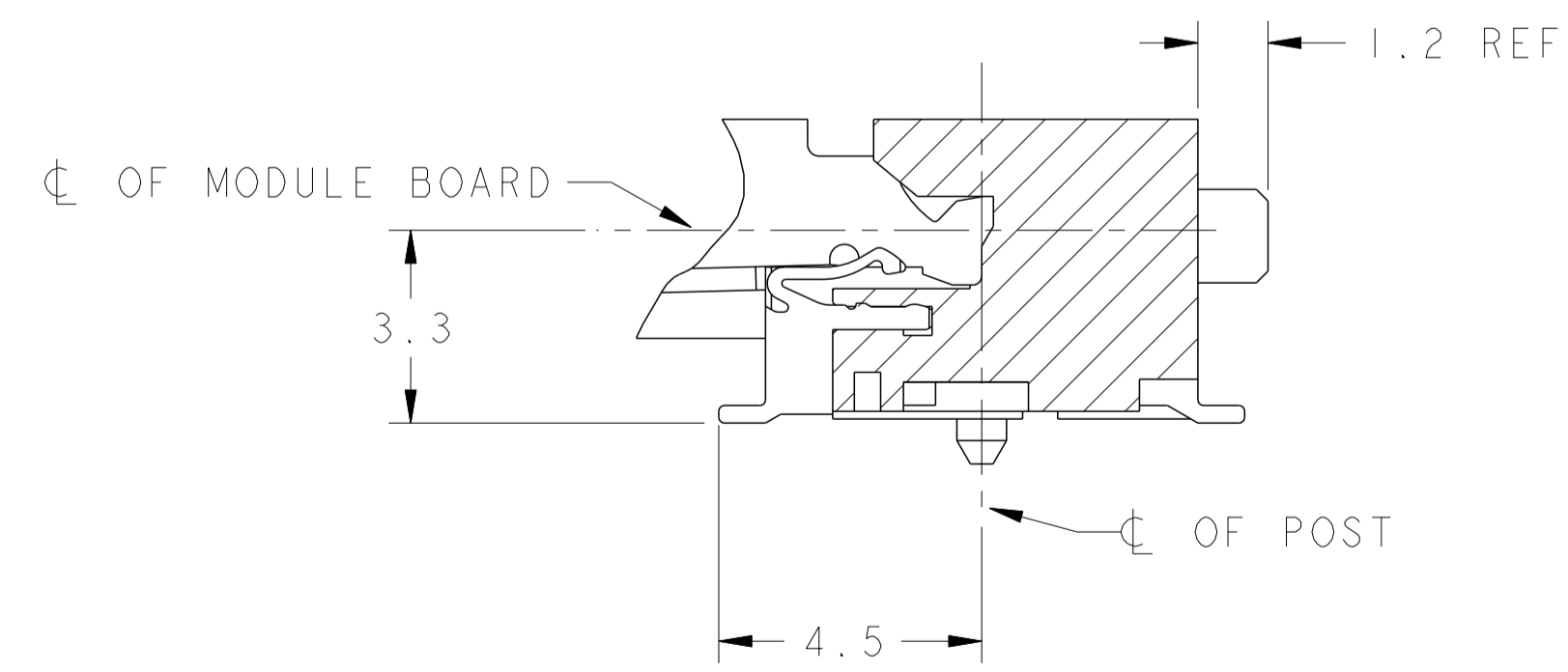
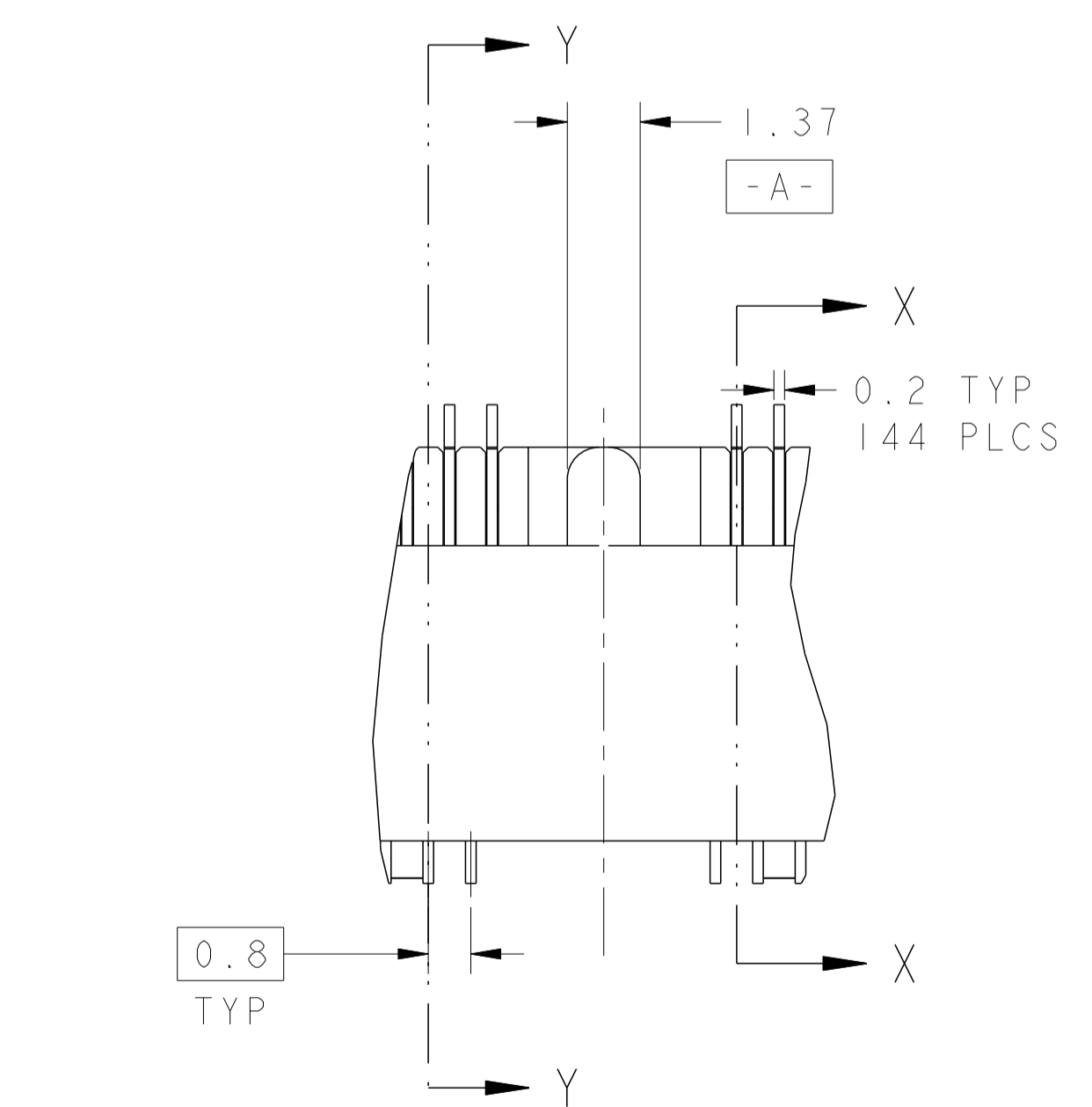
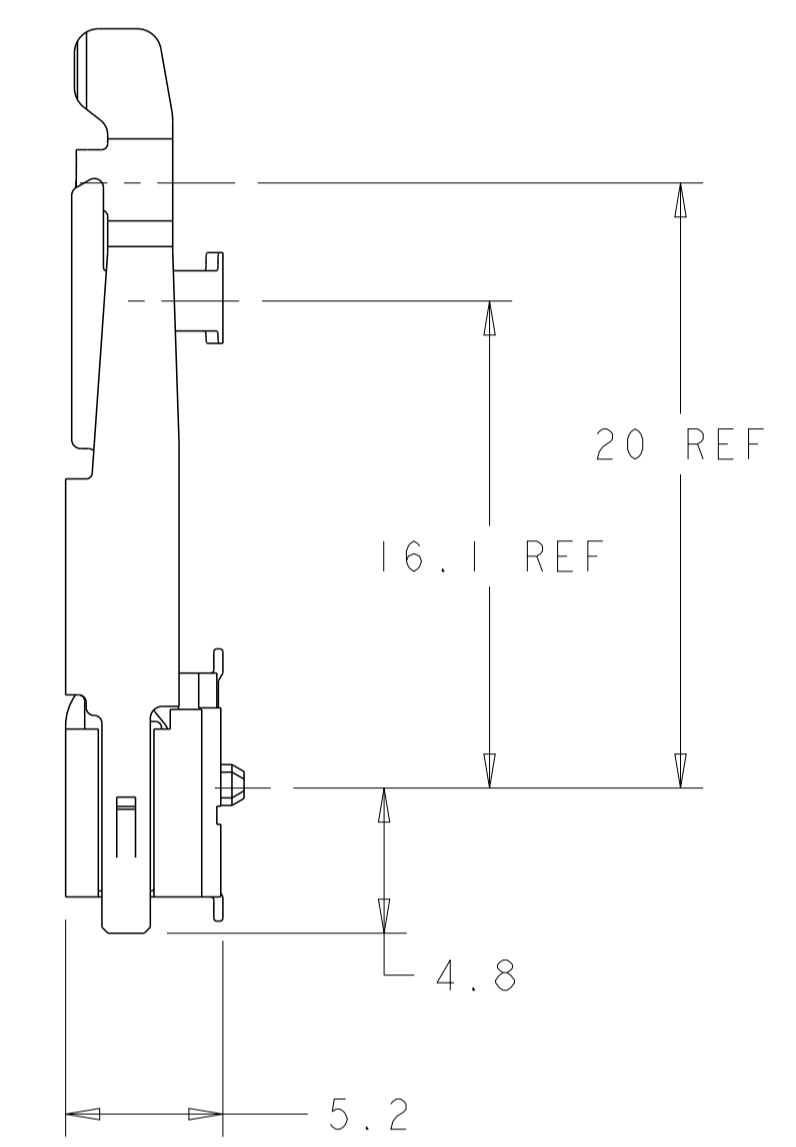
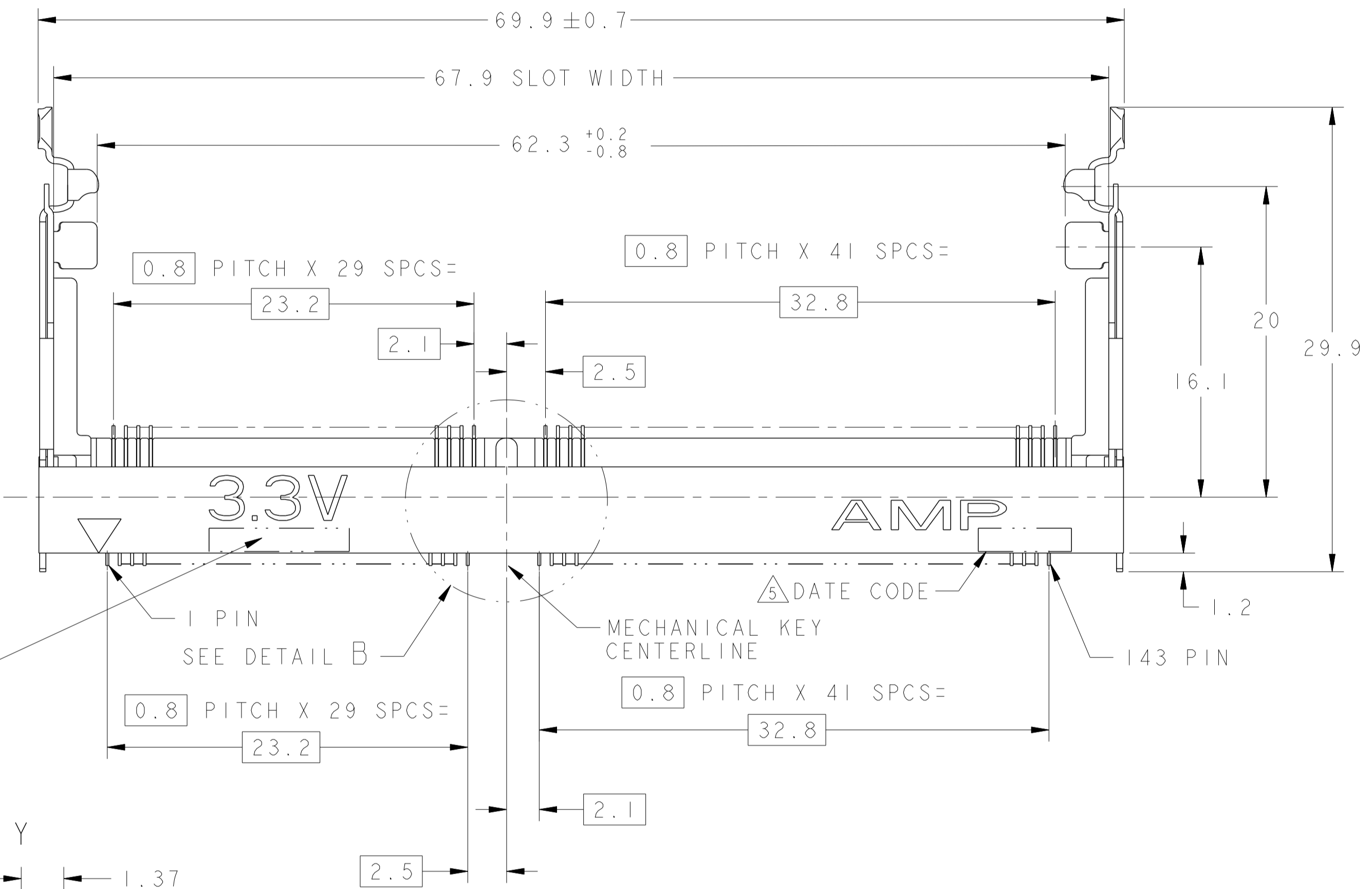


LOC	DIST	REVISONS			
F	LTR	DESCRIPTION	DATE	BY	APPD
G		REVISED PER ECR-10-007858	13APR2010	SYJ	LSF



1. MATERIAL, HOUSING, HIGH TEMPERATURE PLASTIC, UL94V-0, NAT. CONTACT: COPPER ALLOY LATCH: SUS301 STAINLESS STEEL PLATING.
2. FINISH; CONTACT AREA: 0.00076 MIN GOLD PLATE ON 0.001 MIN ALL OVER NICKEL SOLDERING AREA: 0.00005 MIN TO 0.00030 MAX GOLD PLATE
3. TOLERANCES NON-ACCUMULATIVE.
4. PART PACKAGED PER EIA-18704 STANDARD. REEL DIAMETER SHALL BE 330mm. TAPE WIDTH SHALL BE 88mm AND TAPE PITCH SHALL BE 36mm.
5. DATE CODE (4-DIGITS), LOCATED AS SHOWN. TO BE INTERPRETED AS FOLLOWS:
 DIGIT # 1 - LAST DIGIT OF YEAR.
 DIGITS # 2 AND # 3 - CALENDAR WEEK.
 DIGIT # 4 - DAY OF THE WEEK (WITH SUNDAYS AS DAY 1).



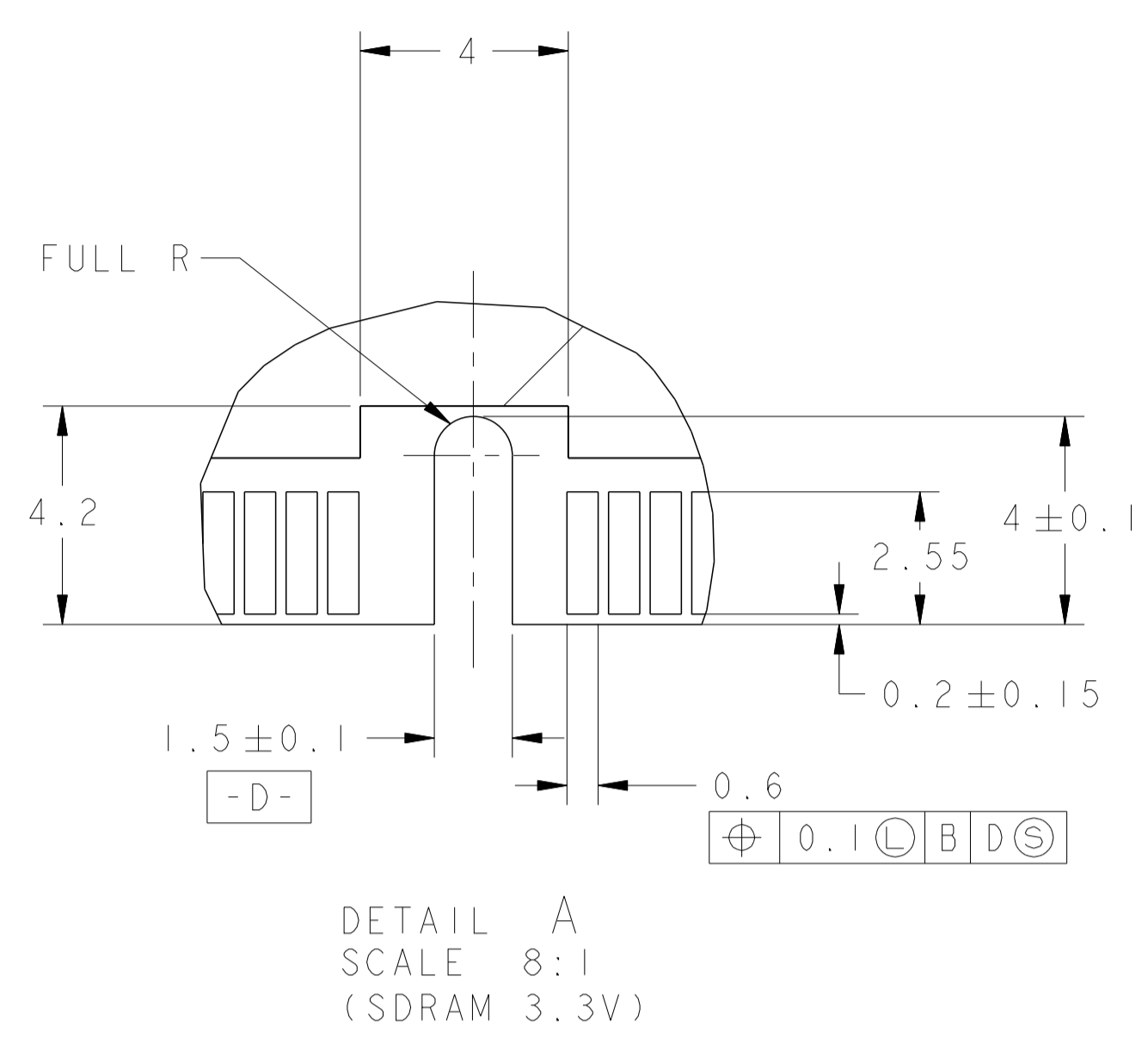
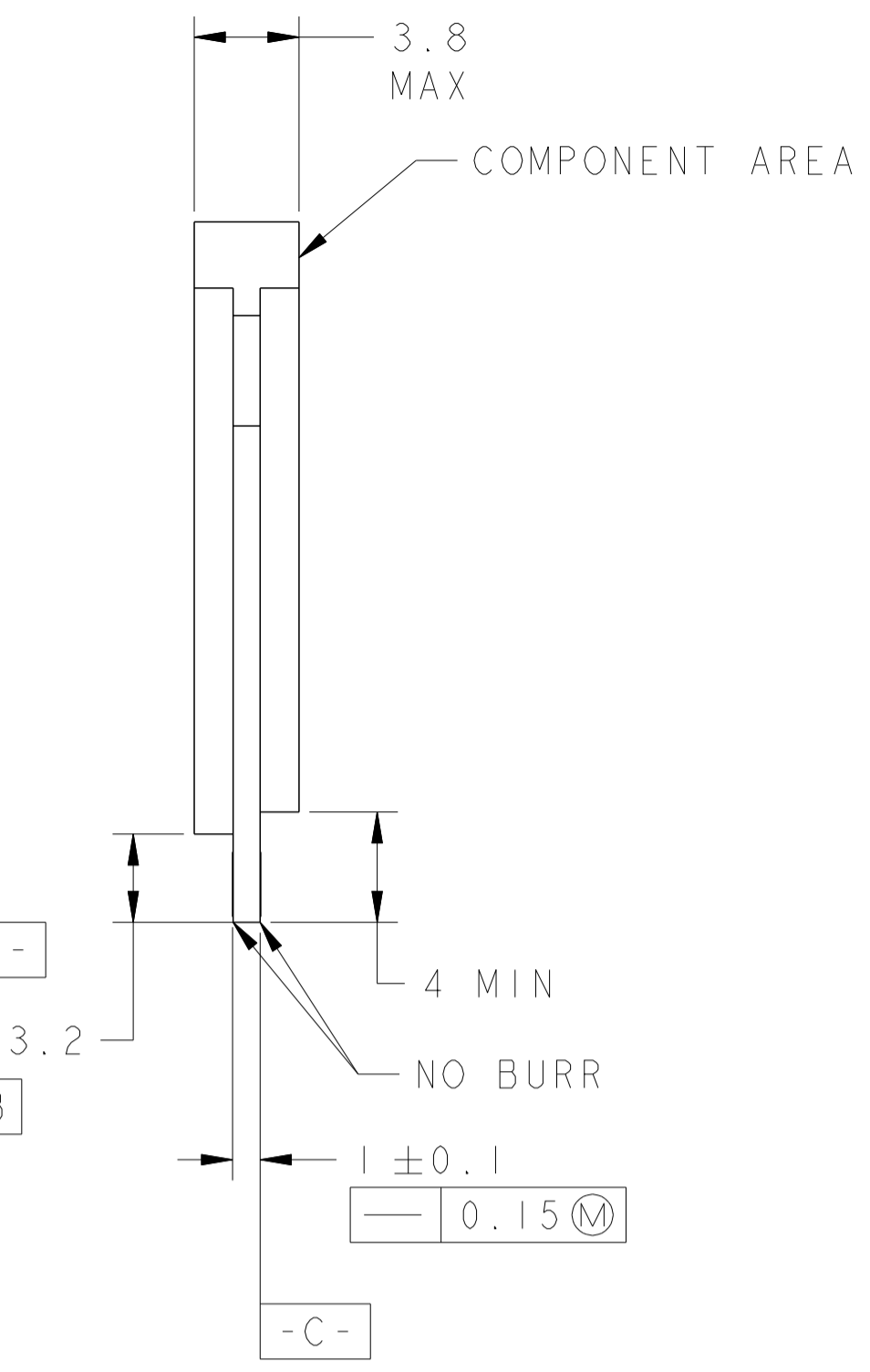
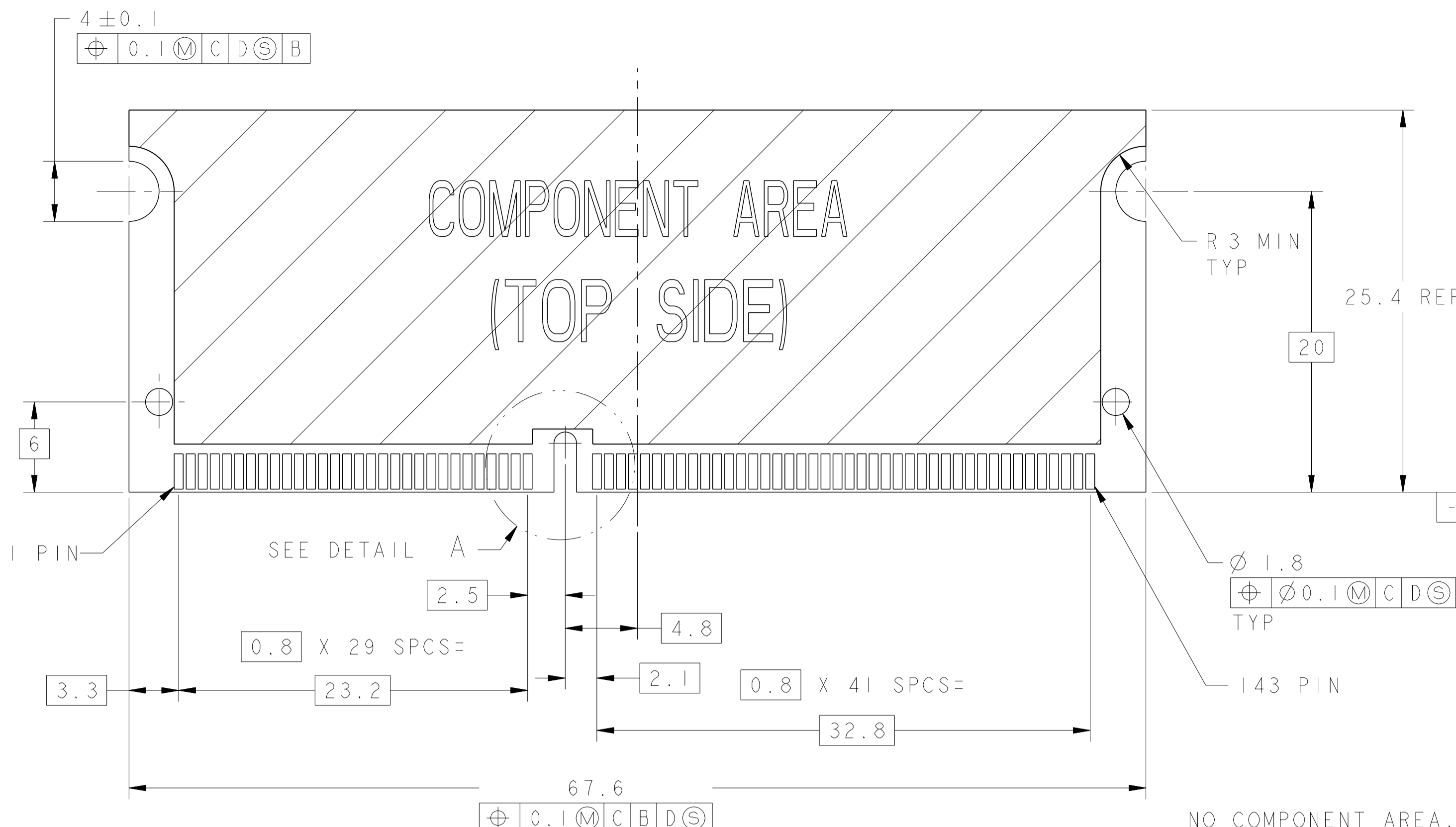
SECTION Y-Y
 ROTATED 90° CCW
 SCALE 8:1

SECTION X-X
 ROTATED 90° CCW
 SCALE 8:1

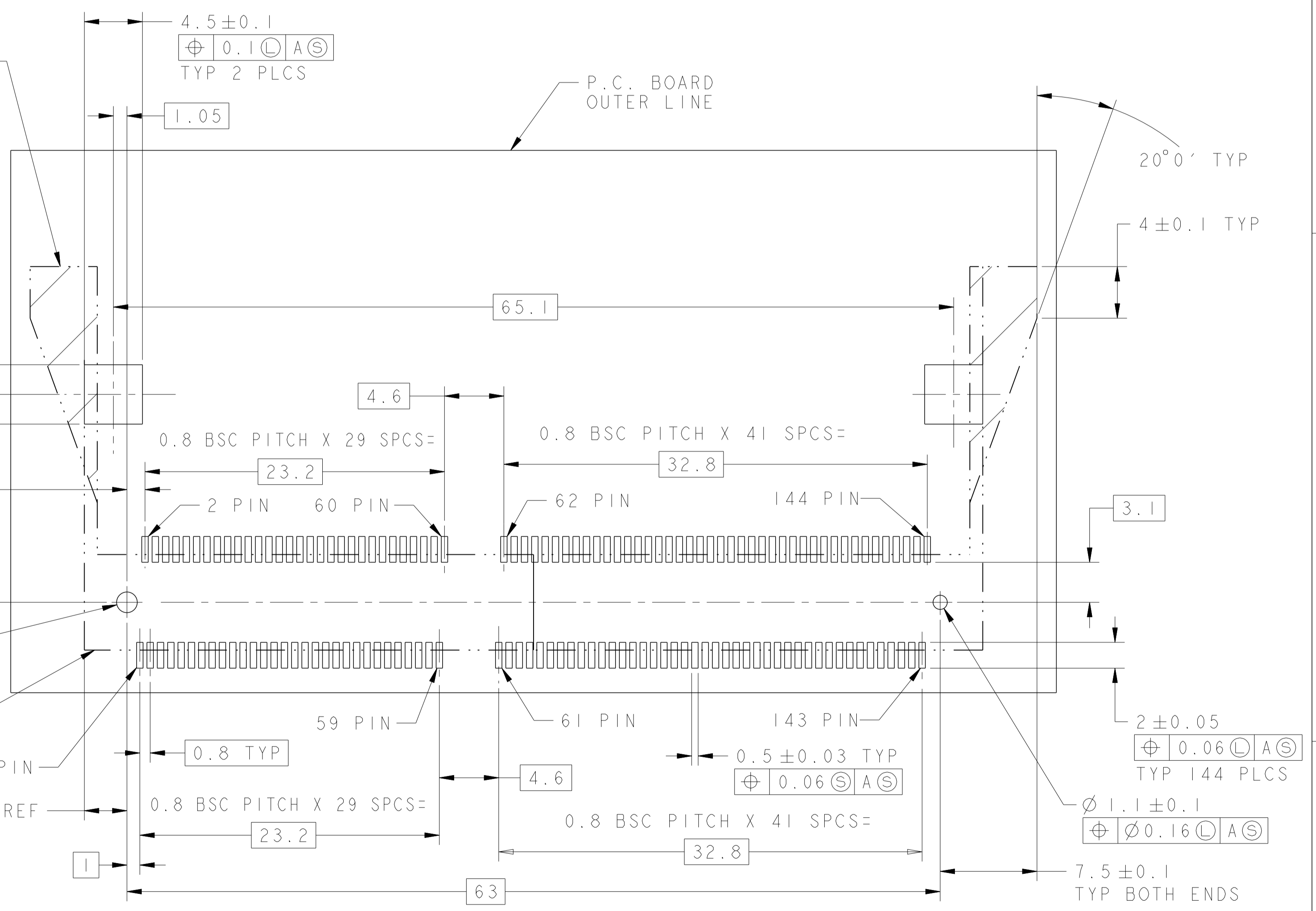
DETAIL B
 SCALE 8:1

AVAILABLE	DRAM 3.3V	144	6-390376-1
REMARKS	POWER SUPPLY	POS	PART NUMBER

<small>THIS DRAWING IS A CONTROLLED DOCUMENT FOR AMP INCORPORATED AND IS SUBJECT TO CHANGE. AMP, THE CONTROL AND ENGINEERING ORGANIZATION SHOULD BE CONTACTED FOR THE LATEST REVISION.</small>		DWN: A. HOLT 25APR00 CHK: K. KREIDLER 25APR00	Tyco Electronics TYCO ELECTRONICS SINGAPORE
DIMENSIONS: mm	TOLERANCES UNLESS OTHERWISE SPECIFIED: 0 PLC ±0.2 1 PLC ±0.2 2 PLC ±0.2 3 PLC ± 4 PLC ± ANGLES ±	APD: SE LEONG PRODUCT SPEC: 108-1739 APPLICATION SPEC: 114-1114	NAME: S.O.DIMM SOCKET 0.8mm PITCH 3.3V 144 POS, STD PROFILE FOR SDRAM MODULE, 0.00076 GOLD SIZE: A1 CAGE CODE: 00779 DRAWING NO: 390376
MATERIAL	FINISH	WEIGHT	RESTRICTED TO
			SCALE 4:1 SHEET 1 OF 2 REV G



NO COMPONENT AREA, LEVER MOVING AREA, ACCEPT CIRCUIT PATTERN



RECOMMENDED P.C. BOARD PATTERN LAYOUT (CONNECTOR MOUNTING SIDE)

<small>THIS DRAWING IS A CONTROLLED DOCUMENT FOR AMP INCORPORATED AND IS SUBJECT TO CHANGE. AMP, THE CONTROL AND ENGINEERING ORGANIZATION SHOULD BE CONTACTED FOR THE LATEST REVISION.</small>		DWN: A. HOLT 25APROO CHK: K. KREIDLER 25APROO	TYCO ELECTRONICS SINGAPORE
DIMENSIONS: mm 	TOLERANCES UNLESS OTHERWISE SPECIFIED: 0 PLC ±0.2 1 PLC ±0.2 2 PLC ±0.2 3 PLC ± 4 PLC ± ANGLES ° ±	APD: SE LEONG PRODUCT SPEC: 108-1739 APPLICATION SPEC: 114-1114	NAME: S.O.DIMM SOCKET, 0.8mm PITCH, 3.3V 144 POS, STD PROFILE FOR SDRAM MODULE, 0.00076 GOLD SIZE: A1 CAGE CODE: 00779 DRAWING NO: C=390376
MATERIAL:	FINISH:	WEIGHT: - CUSTOMER DRAWING	SCALE: 4:1 SHEET: 2 of 2 REV: G

单击下面可查看定价，库存，交付和生命周期等信息

[>>TE Connectivity\(泰科\)](#)