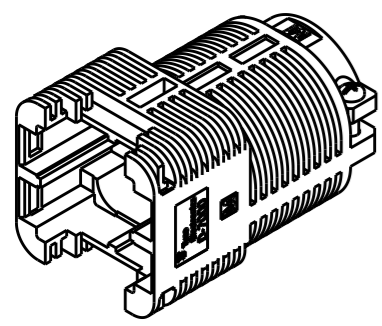


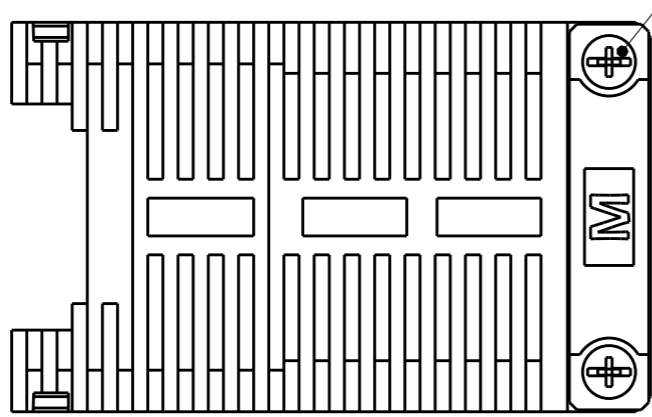
THIS DRAWING IS UNPUBLISHED. RELEASED FOR PUBLICATION 20
 © COPYRIGHT 20 BY Tyco Electronics Japan G.K. ALL RIGHTS RESERVED.

| LOC | DIST | REVISIONS | | | | | |
|-----|------|-----------|-----|-------------|-----------|-----|------|
| | | P | LTR | DESCRIPTION | DATE | DWN | APVD |
| J | - | | D | REVISED | 07JAN2013 | H.U | N.Y |

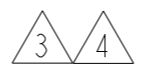
CLAMP COVER ASSY



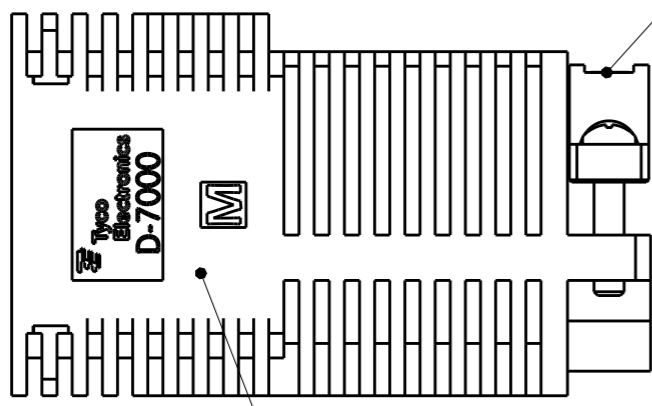
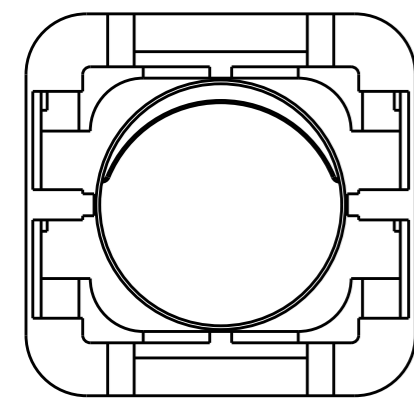
SCALE 1:2



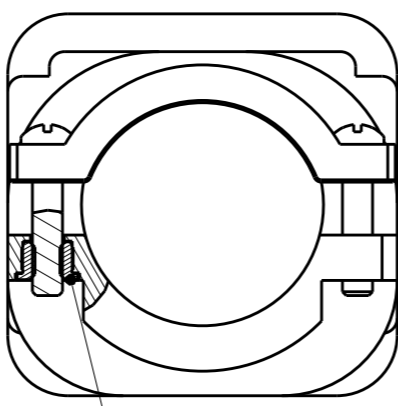
SCREW M4
 STEEL (FINISH: BLACK OXIDE)



CLAMP SADDLE HSG
 GF THERMOPLASTIC 94V-0



CLAMP COVER HSG
 GF THERMOPLASTIC 94V-0



INSERT NUT M4
 BRASS



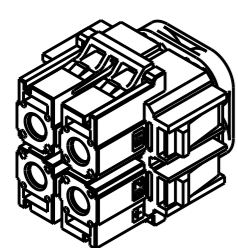
1. THE SHAPE, SIZE AND POSITION OF THE CHARACTER SHOW THE OUTLINE. THEY DON'T SHOW DETAILS.
 2. CONTACT OUR SALES ABOUT ANOTHER KEYING PRODUCT.
- MATERIAL.
 FINISH.

AS SHOWN : 1-2069313-1

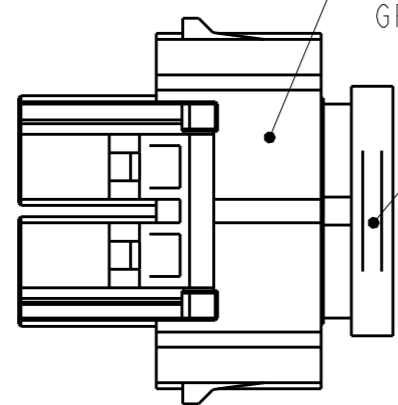
APPLICATED CABTIRE CABLE
 INSULATION DIA
 SIZE S : Ø19~25
 SIZE M : Ø25~31

APPLICATED SOCKET CONTACTS
 1871132-*

SOCKET HSG ASSY



SCALE 1:2

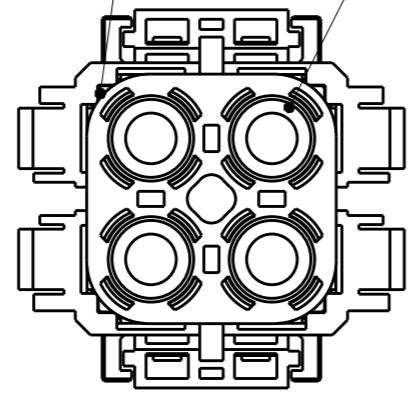
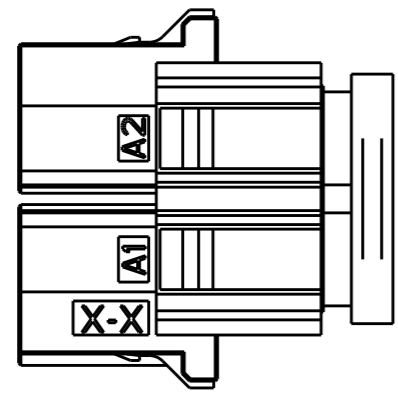
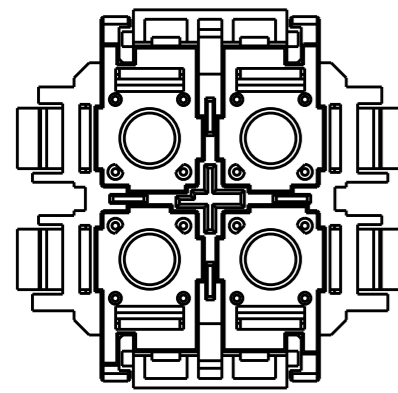


SOCKET BODY HSG
 GF THERMOPLASTIC 94V-0

CYLINDER HSG
 GF THERMOPLASTIC 94V-0

PLATE COVER HSG
 GF THERMOPLASTIC 94V-0

RETENTION PLATE
 STAINLESS STEEL



THIS DRAWING IS A CONTROLLED DOCUMENT.

| | |
|-------------------|---|
| DIMENSIONS: mm | TOLERANCES UNLESS OTHERWISE SPECIFIED: ±1.0, ±5° |
| | 0-PLC ± |
| | 1-PLC ±0.1 |
| | 2-PLC ±0.01 |
| | 3-PLC ±0.001 |
| | 4-PLC ±0.0001 |
| | ANGLES ± |
| MATERIAL 3 | FINISH 4 |

| | | |
|------------------|-------------|-----------|
| DWN | M. MAEBASHI | 31JUL2010 |
| CHK | N. YAMASAKI | 31JUL2010 |
| APVD | N. YAMASAKI | 31JUL2010 |
| PRODUCT SPEC | 108-78470 | |
| APPLICATION SPEC | 114-5452 | |
| WEIGHT | - | |
| CUSTOMER DRAWING | | |

| | | |
|-----|---------------------------|-------------|
| XX | 25~31 | 1-2069313-1 |
| XX | 19~25 | 2-2069313-1 |
| KEY | APPLICATED INSULATION DIA | PART NO |

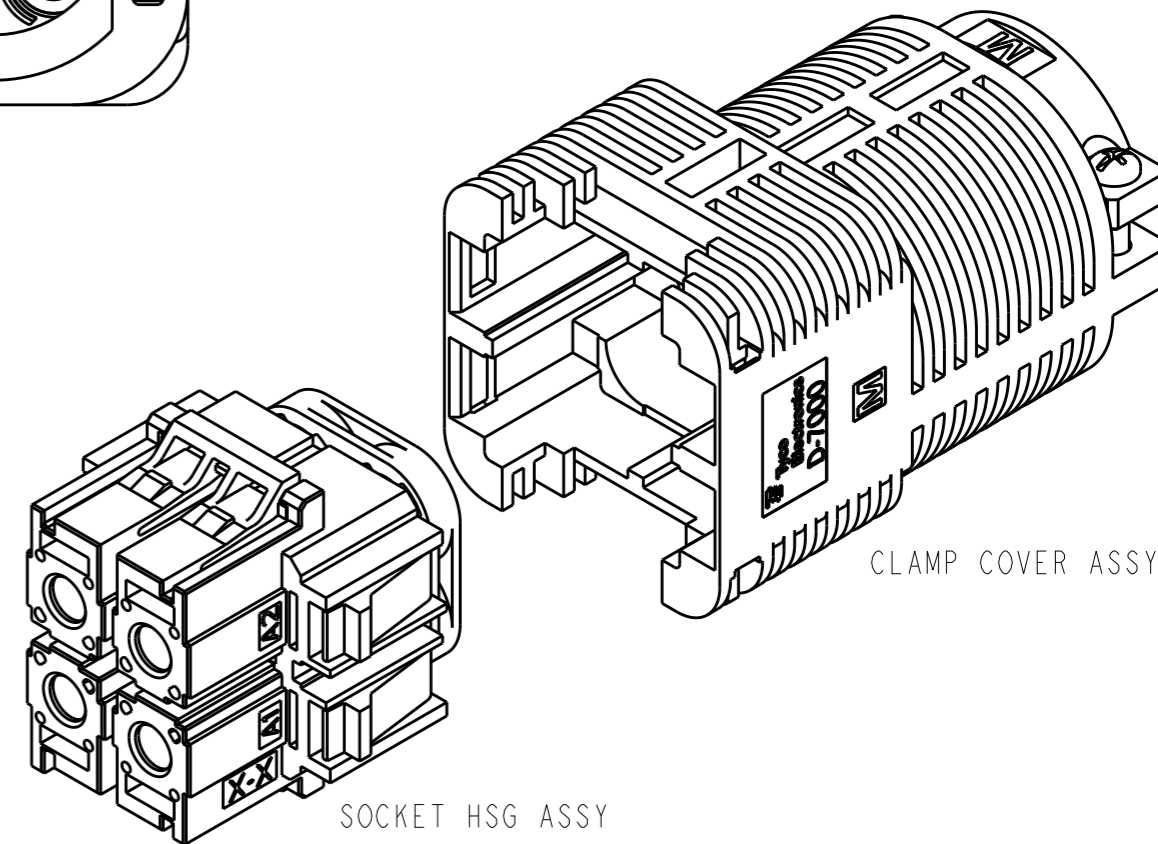
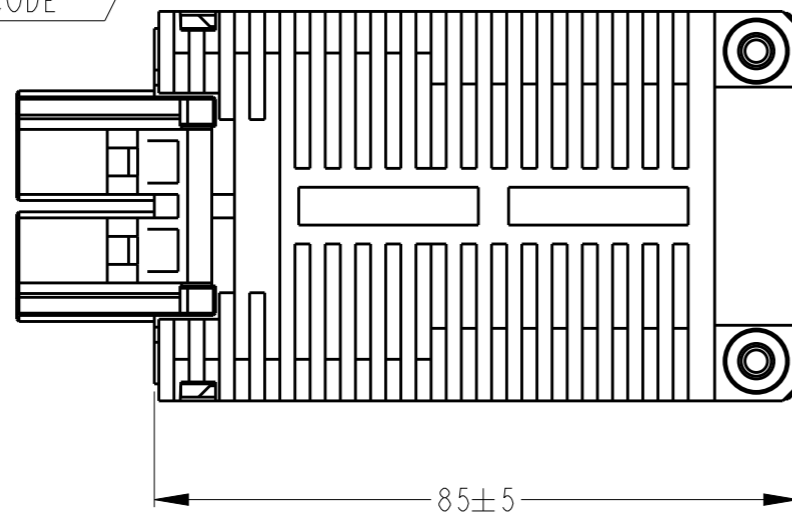
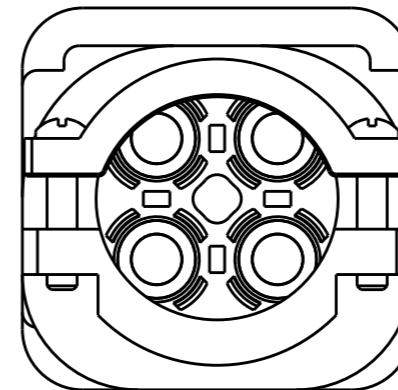
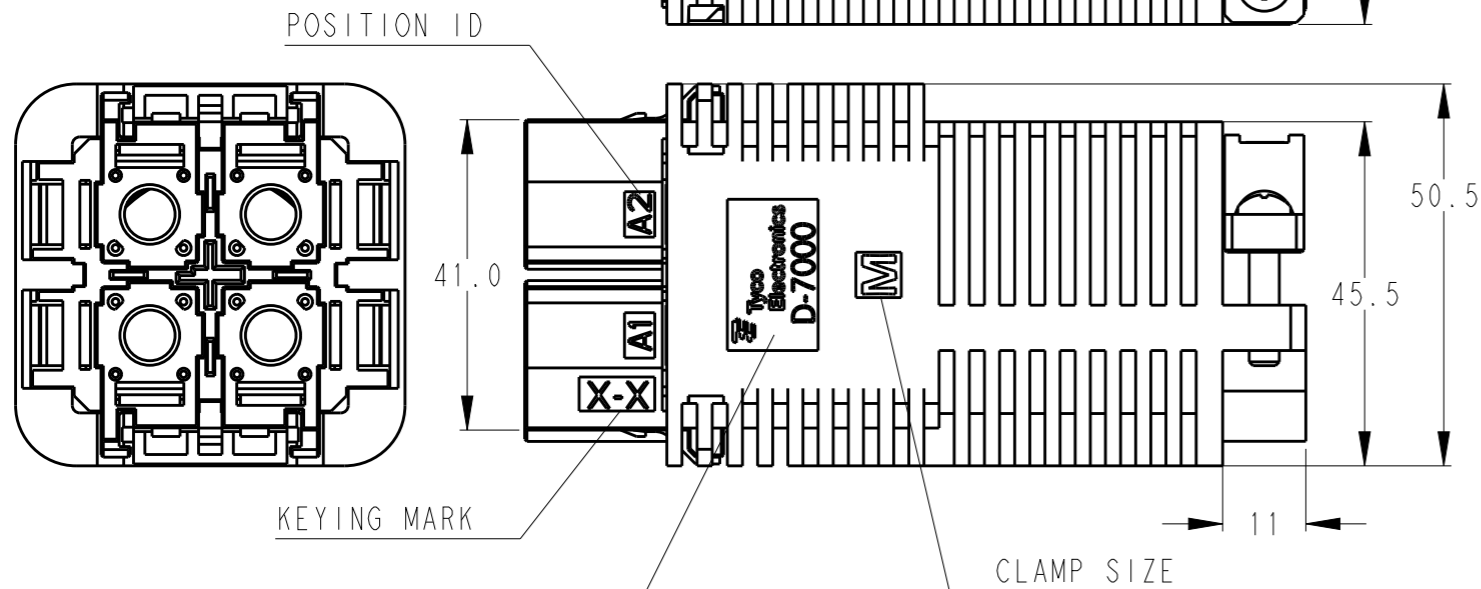
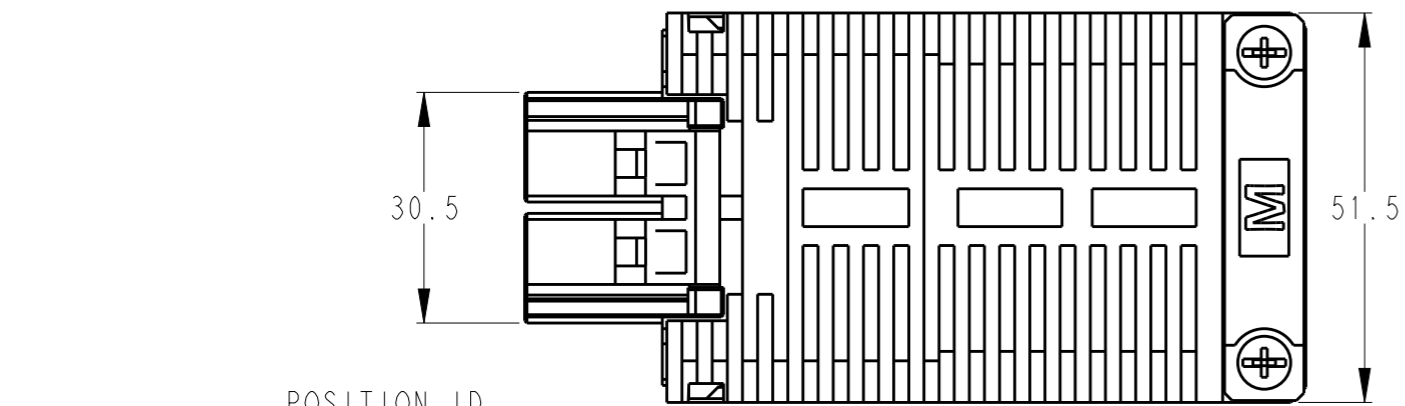
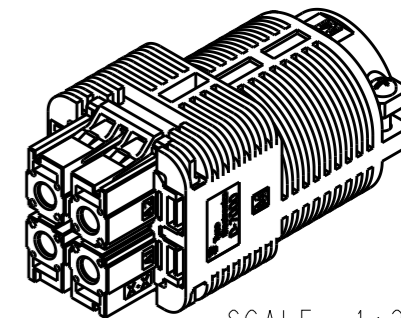


| | | | |
|---|-----------|--------------|---------------|
| NAME DYNAMIC D7000 SERIES DYNA-CLAMP KIT 7100 TYPE | | | |
| SIZE | CAGE CODE | DRAWING NO | RESTRICTED TO |
| A3 | 00779 | C-2069313 | - |
| SCALE 1:1 | | SHEET 1 OF 2 | REV D |

| LOC | DIST | REVISIONS | | | | | |
|-----|------|-----------|-----|------------------|------|-----|------|
| J | - | P | LTR | DESCRIPTION | DATE | DWN | APVD |
| | | | | SEE SHEET 1 OF 2 | | | |

AS SHOWN : 1-2069313-1

APPLICATED CABTIRE CABLE
 INSULATION DIA
 SIZE S : $\varnothing 19\sim 25$
 SIZE M : $\varnothing 25\sim 31$



| | | | | | | | | | |
|---|--|------------------|-------------|-------------|---------------------|----------------|-------|----------------------|------------|
| THIS DRAWING IS A CONTROLLED DOCUMENT. | | DWN | M. MAEBASHI | 31 JUL 2010 | TE Connectivity | NAME | | DYNAMIC D7000 SERIES | |
| DIMENSIONS: | | CHK | N. YAMASAKI | 31 JUL 2010 | | Dyna-CLAMP KIT | | 7100 TYPE | |
| mm | | APVD | N. YAMASAKI | 31 JUL 2010 | | 7100 TYPE | | RESTRICTED TO | |
| | | PRODUCT SPEC | 108-78470 | | | SIZE | | CAGE CODE | DRAWING NO |
| TOLERANCES UNLESS OTHERWISE SPECIFIED: | | APPLICATION SPEC | 114-5452 | | A3 | | 00779 | C=2069313 | |
| 0-PLC ± 1-PLC ±0.1 2-PLC ±0.01 3-PLC ±0.001 4-PLC ±0.0001 ANGLES ± | | WEIGHT | - | | SCALE | | 1:1 | SHEET | 2 OF 2 |
| MATERIAL | | FINISH | - | | CUSTOMER DRAWING | | REV | | D |
| SEE SHEET 1 OF 2 | | SEE SHEET 1 OF 2 | | | | | | | |

单击下面可查看定价，库存，交付和生命周期等信息

[>>TE Connectivity\(泰科\)](#)