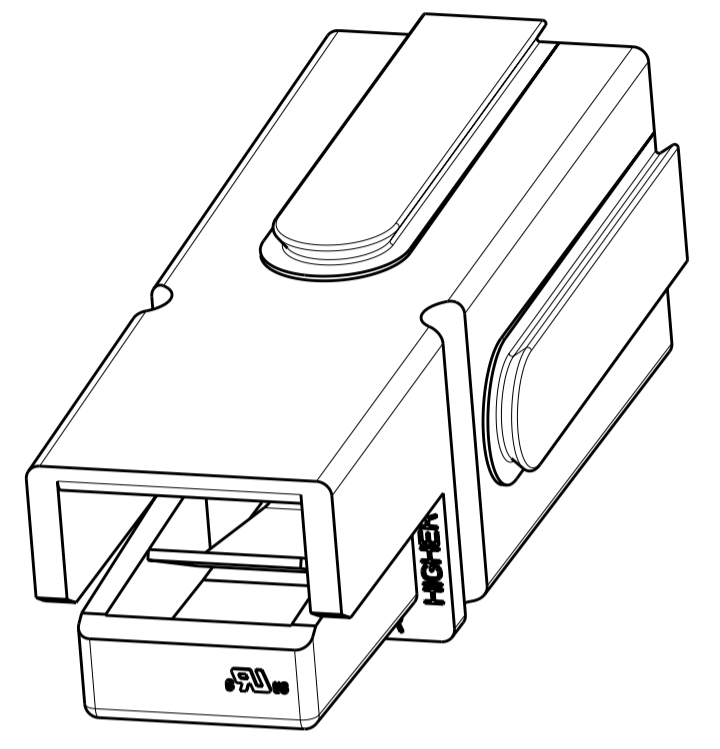
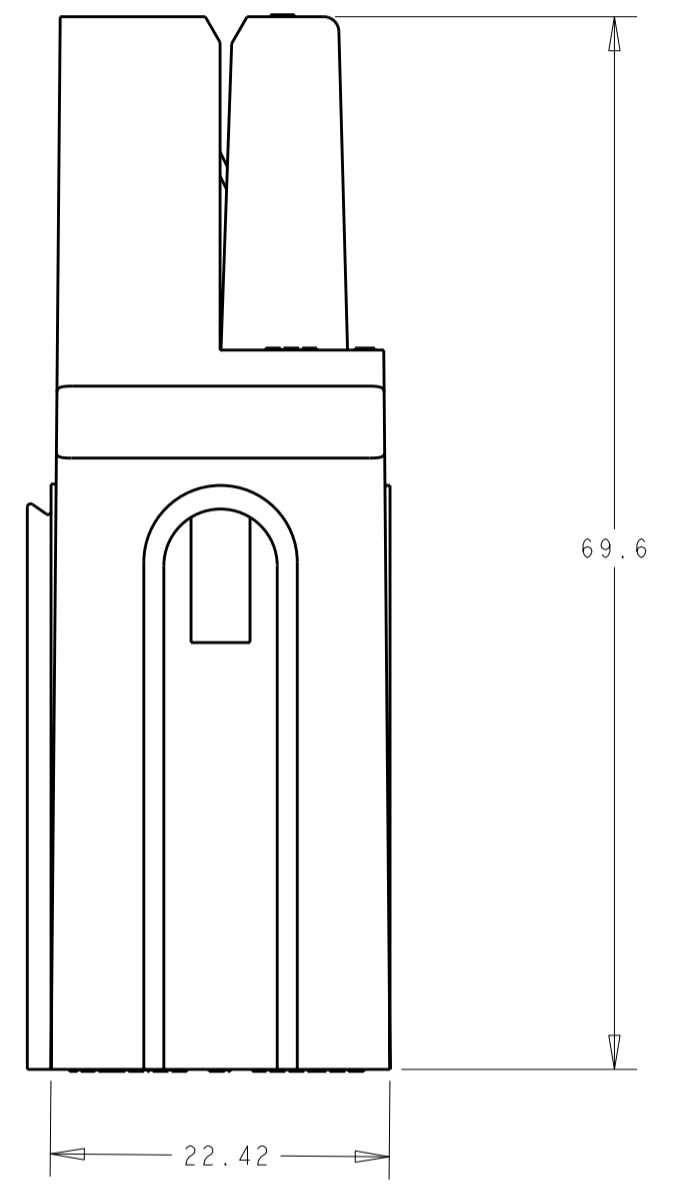
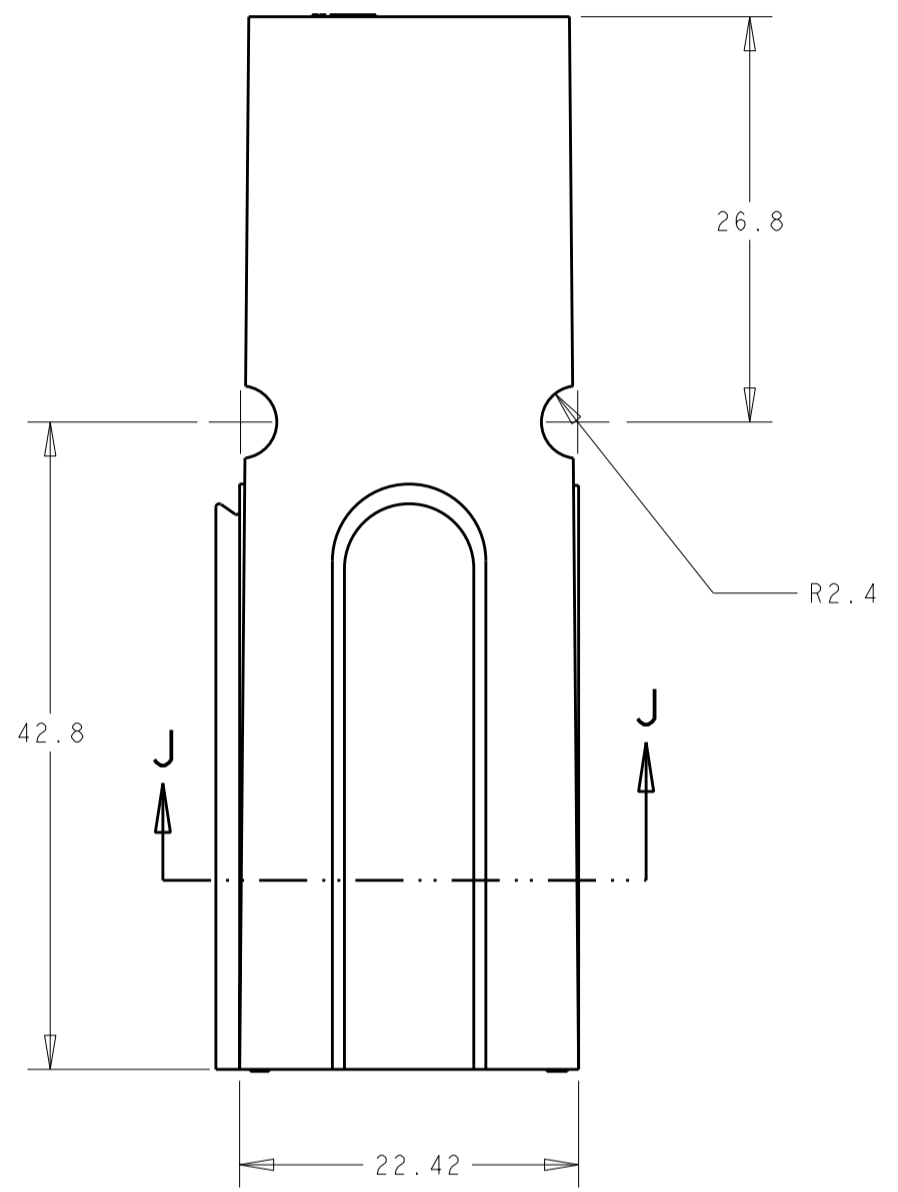
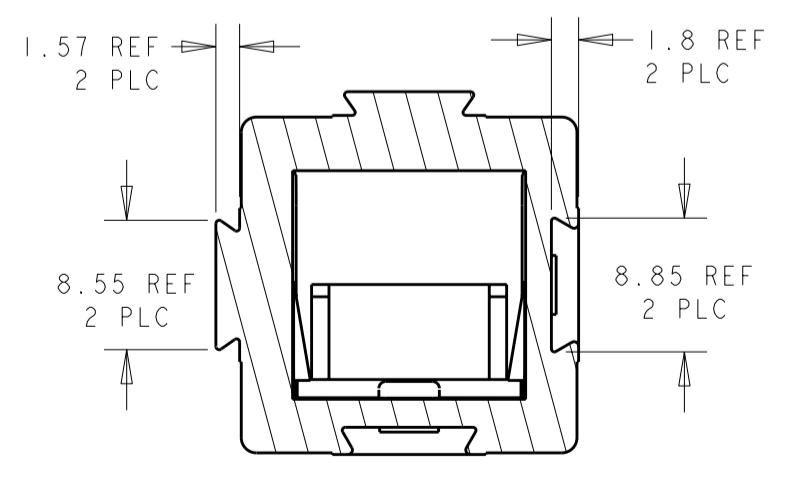


THIS DRAWING IS UNPUBLISHED. RELEASED FOR PUBLICATION 20
 © COPYRIGHT 20 BY - ALL RIGHTS RESERVED.

| LOC | | DIST | | REVISIONS | | | |
|-----|-----|---------------------------|-----------|-----------|------|--|--|
| P | LTR | DESCRIPTION | DATE | DWN | APVD | | |
| | B2 | REVISED PER ECO-11-004917 | 12MAR2011 | RK | HMR | | |



1. THIS PRODUCT HAS PASSED VERIFICATION AND AGENCY APPROVALS TESTING AND IS COMPONENT RECOGNIZED PER UL 1977 AND CSA 22.2. TE CONNECTIVITY PRODUCT QUALIFICATION TESTING IS NOT YET COMPLETED.



SECTION J - J

| | |
|-------|-------------|
| RED | 1604001-5 |
| GREEN | 1604001-4 |
| WHITE | 1604001-3 |
| BLACK | 1604001-2 |
| BLUE | 1604001-1 |
| COLOR | PART NUMBER |



| | | | | | | |
|--|-------|------------------|-----|--------------------------------|----------------------------|--|
| THIS DRAWING IS A CONTROLLED DOCUMENT. | | DWN | BH | 28NOV01 | STE TE Connectivity | |
| DIMENSIONS: mm | | CHK | KAK | 28NOV01 | | |
| TOLERANCES UNLESS OTHERWISE SPECIFIED: | | APVD | KAK | 28NOV01 | NAME | |
| 0 PLC | ±0.13 | PRODUCT SPEC | | SUB-ASSEMBLY, AMP POWER SERIES | | |
| 1 PLC | ±0.13 | APPLICATION SPEC | | 120 | | |
| 2 PLC | ±0.13 | WEIGHT | | - | | |
| 3 PLC | ±0.13 | CUSTOMER DRAWING | | RESTRICTED TO | | |
| 4 PLC | ± | SCALE | | 2:1 | | |
| ANGLES | ± | SHEET | | 1 OF 1 | | |
| FINISH | ± | REV | | B2 | | |

单击下面可查看定价，库存，交付和生命周期等信息

[>>TE Connectivity\(泰科\)](#)