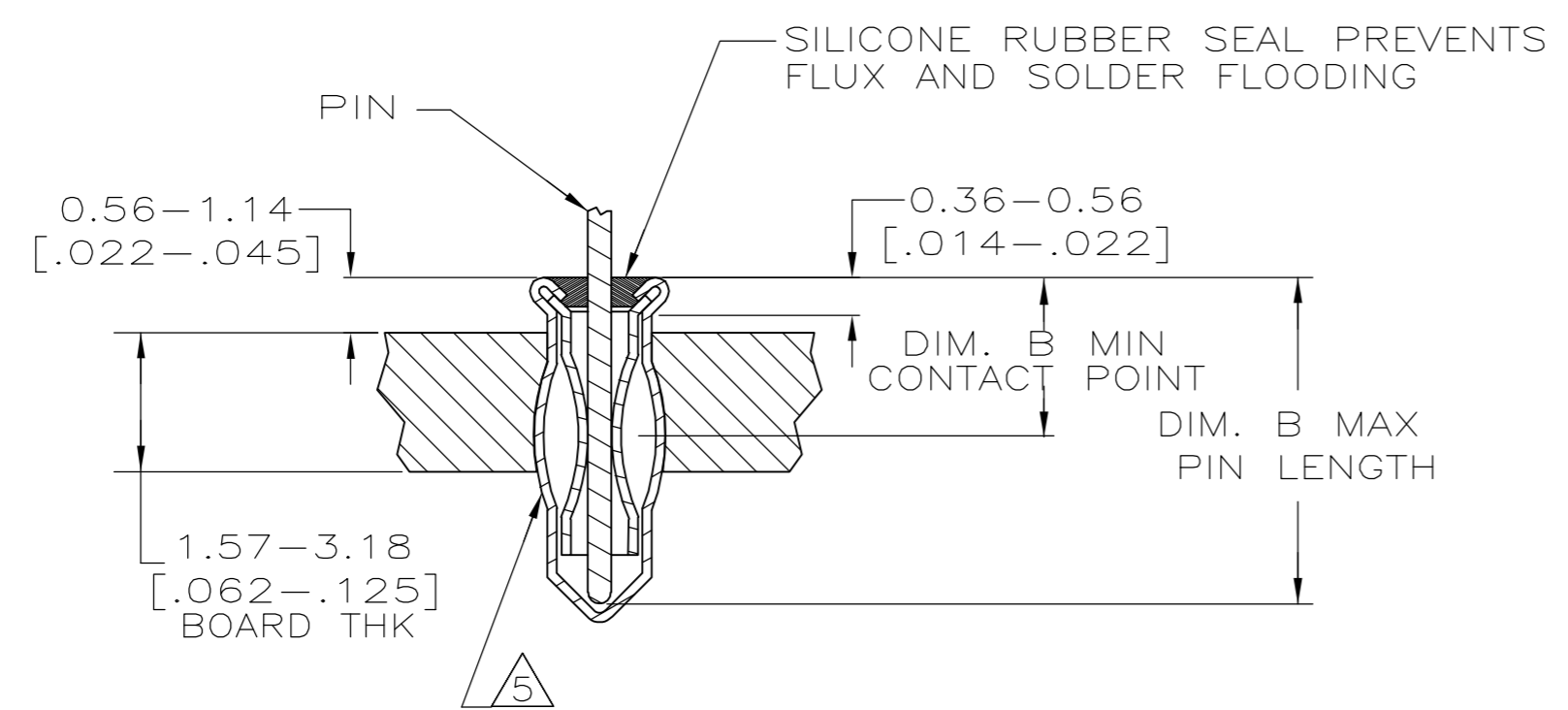
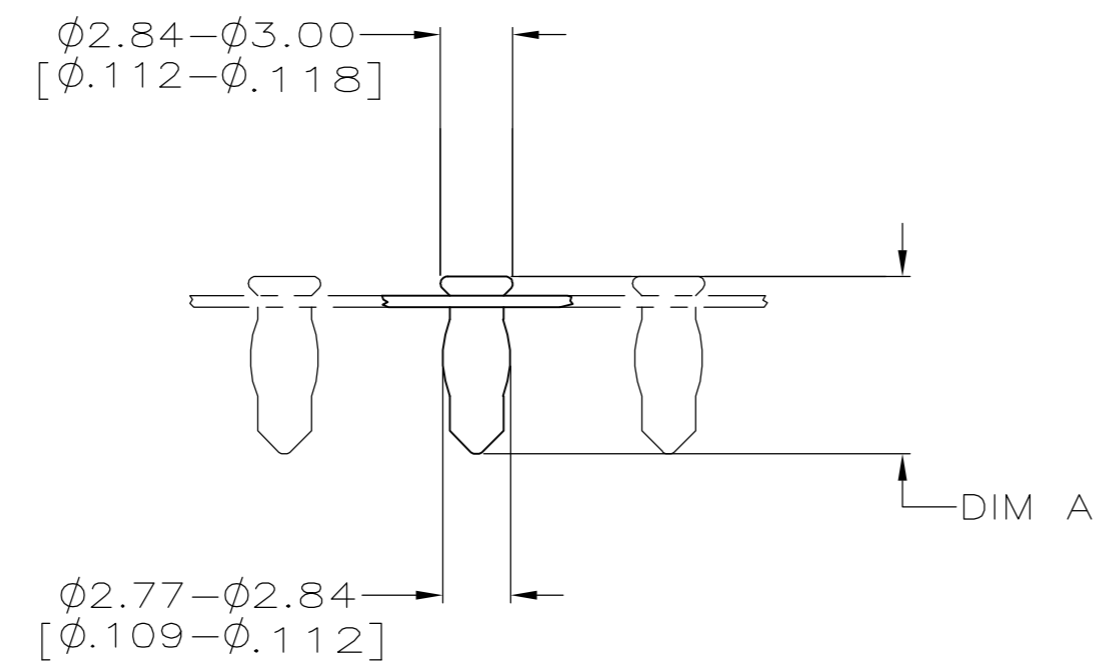
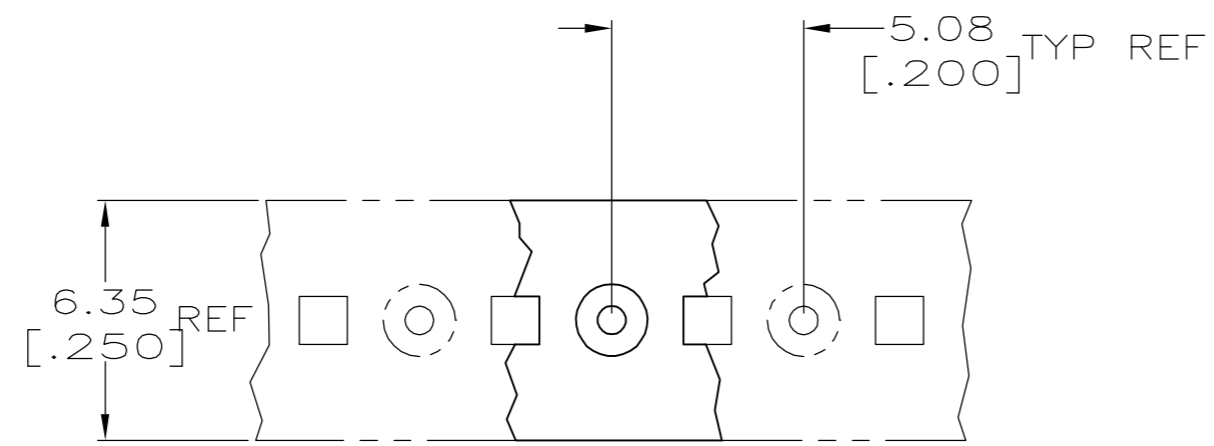


THIS DRAWING IS UNPUBLISHED. RELEASED FOR PUBLICATION  
 © COPYRIGHT BY TYCO ELECTRONICS CORPORATION. ALL RIGHTS RESERVED.

LOC	DIST	REVISIONS			
P	LTR	DESCRIPTION	DATE	DWN	APVD
AG	53	0	RELEASED	26JAN06	JDP JGH



- 1 MATERIAL:  
EYELET - COPPER PER ASTM B 152  
SPRING - BERYLLIUM COPPER PER ASTM B 194  
SEALANT - SILICONE RUBBER
- 2 TIN PLATE PER ASTM B 545, 0.00254 [.000100] MIN THK.
- 3 GOLD PLATE PER ASTM B 488, 0.00076 [.000030] MIN THK ON CONTACT AREA.
- 4 TO INSURE 1/2 OZ MIN RETENTION DO NOT EXCEED 0.10 [.004] DIFFERENCE IN PIN DIA WHEN CHANGING TO A SMALLER DIA PIN
- 5 PRODUCT IS OVALIZED FOR RETENTION IN THE P.C. BOARD. THE RECOMMENDED HOLE DIAMETER IS  $\phi 2.59$  [ $\phi .102$ ] MINIMUM, +0.08 [.003] MAX. PRIOR TO SOLDERING.
- 6 PACKAGED 10,000 PER REEL

7.82 [.308]	3.68-6.99 [.145-.275]	$\phi 1.07 - \phi 1.24$ [ $\phi .042 - \phi .049$ ]	GOLD 3	TIN 2	1-5645991-2
DIM. A	LENGTH DIM. B	DIA	SPRING	EYELET	PART NO

THIS DRAWING IS A CONTROLLED DOCUMENT.		DWN J. POLIGNONE 26JAN06	Tyco Electronics Corporation Harrisburg, PA 17105-3608		
DIMENSIONS: mm [INCHES]		CHK J. HAVENER 26JAN06	NAME		
TOLERANCES UNLESS OTHERWISE SPECIFIED:		APVD J. HAVENER 26JAN06	PRODUCT SPEC		
0 PLC ± -		108-14008		MINIATURE SPRING	
1 PLC ± -		APPLICATION SPEC		SOCKET ASSEMBLY, SERIES 5	
2 PLC ± -		114-26004		WITH SEALANT	
3 PLC ± 0.20[.008]		WEIGHT		SIZE	CAGE CODE
4 PLC ± -		-		A2	00779
ANGLES ± -		CUSTOMER DRAWING		DRAWING NO	RESTRICTED TO
FINISH		SCALE 10:1		C=5645991	REV 0
SEE TABLE		SHEET 1 of 1			

单击下面可查看定价，库存，交付和生命周期等信息

[>>TE Connectivity\(泰科\)](#)