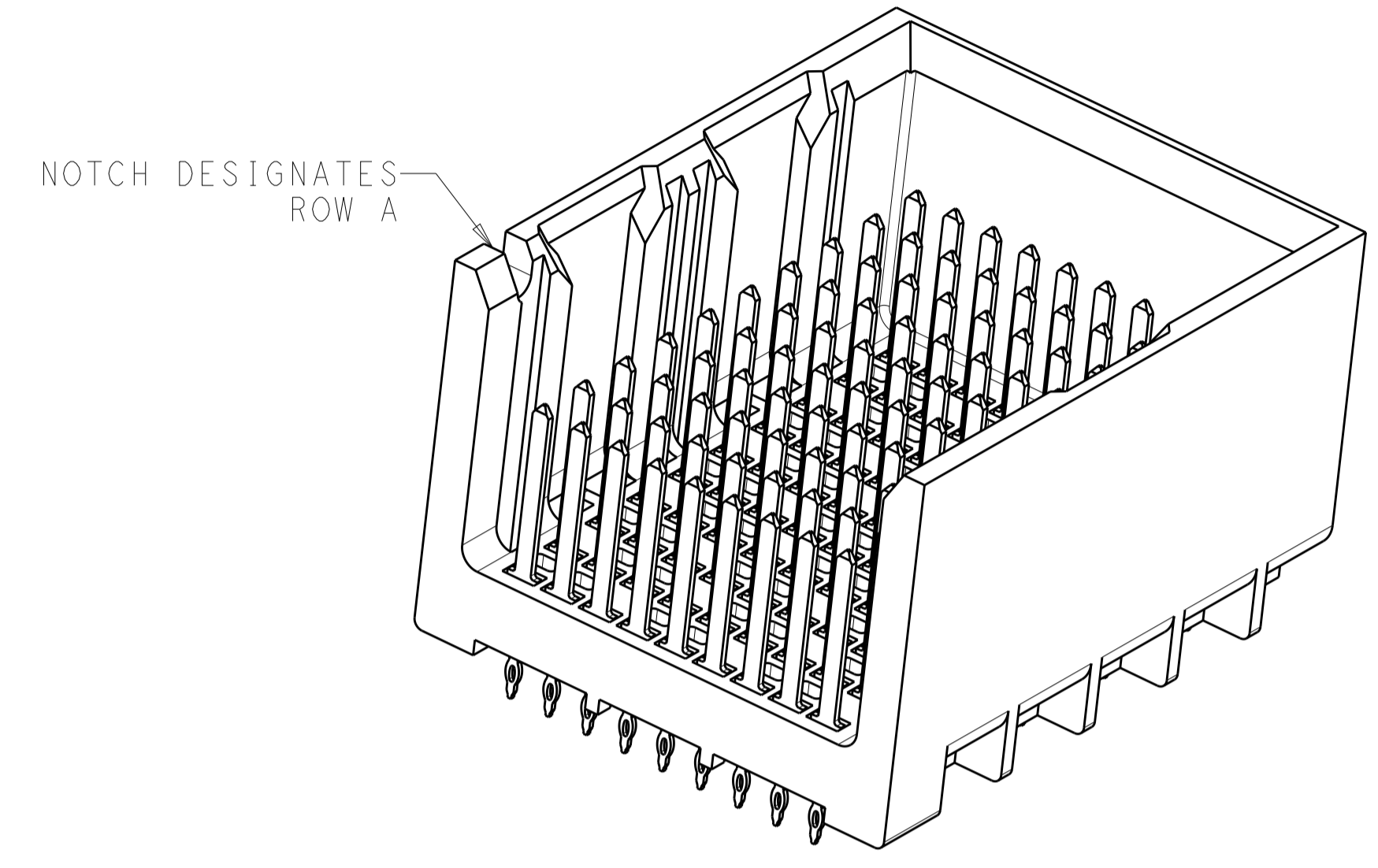
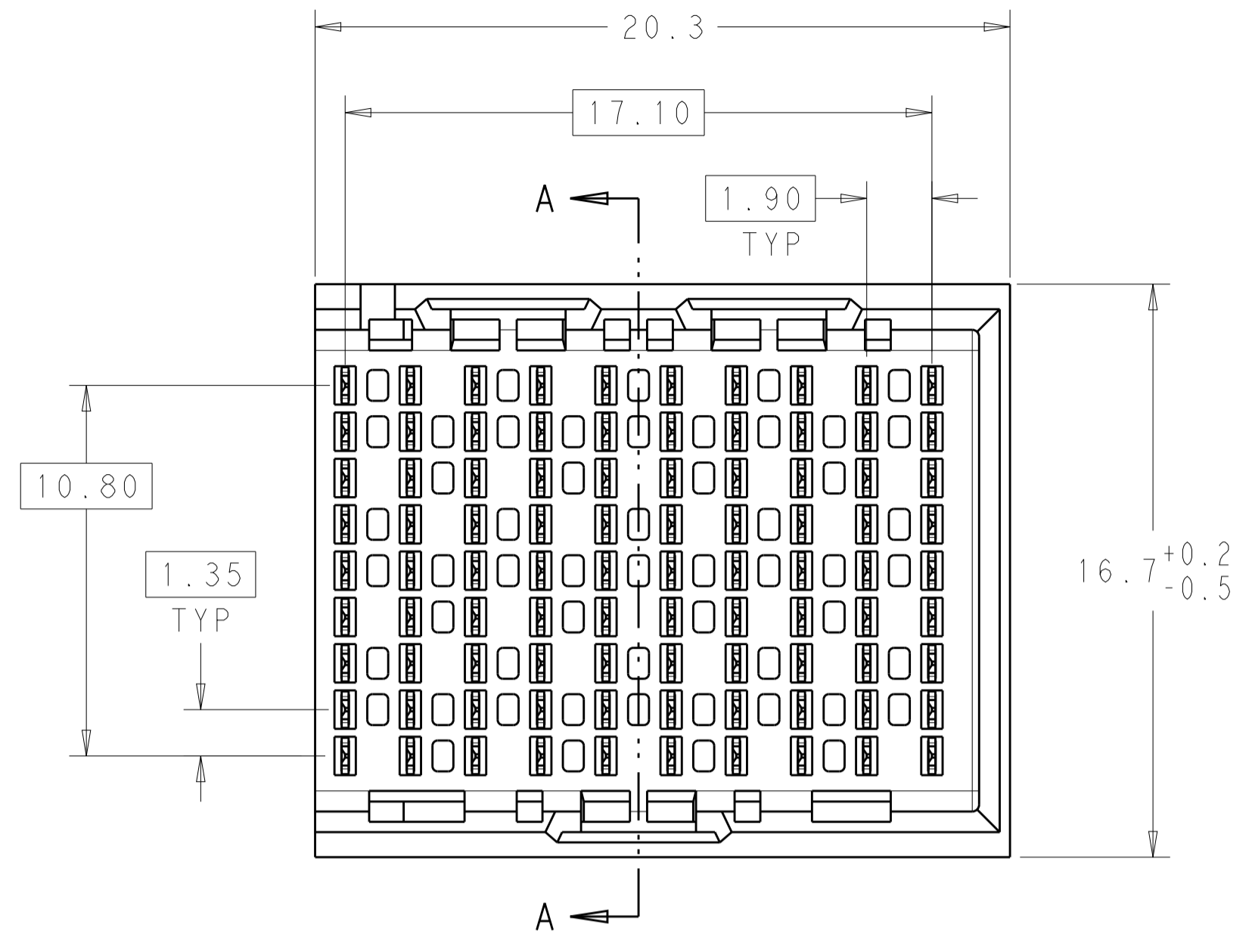
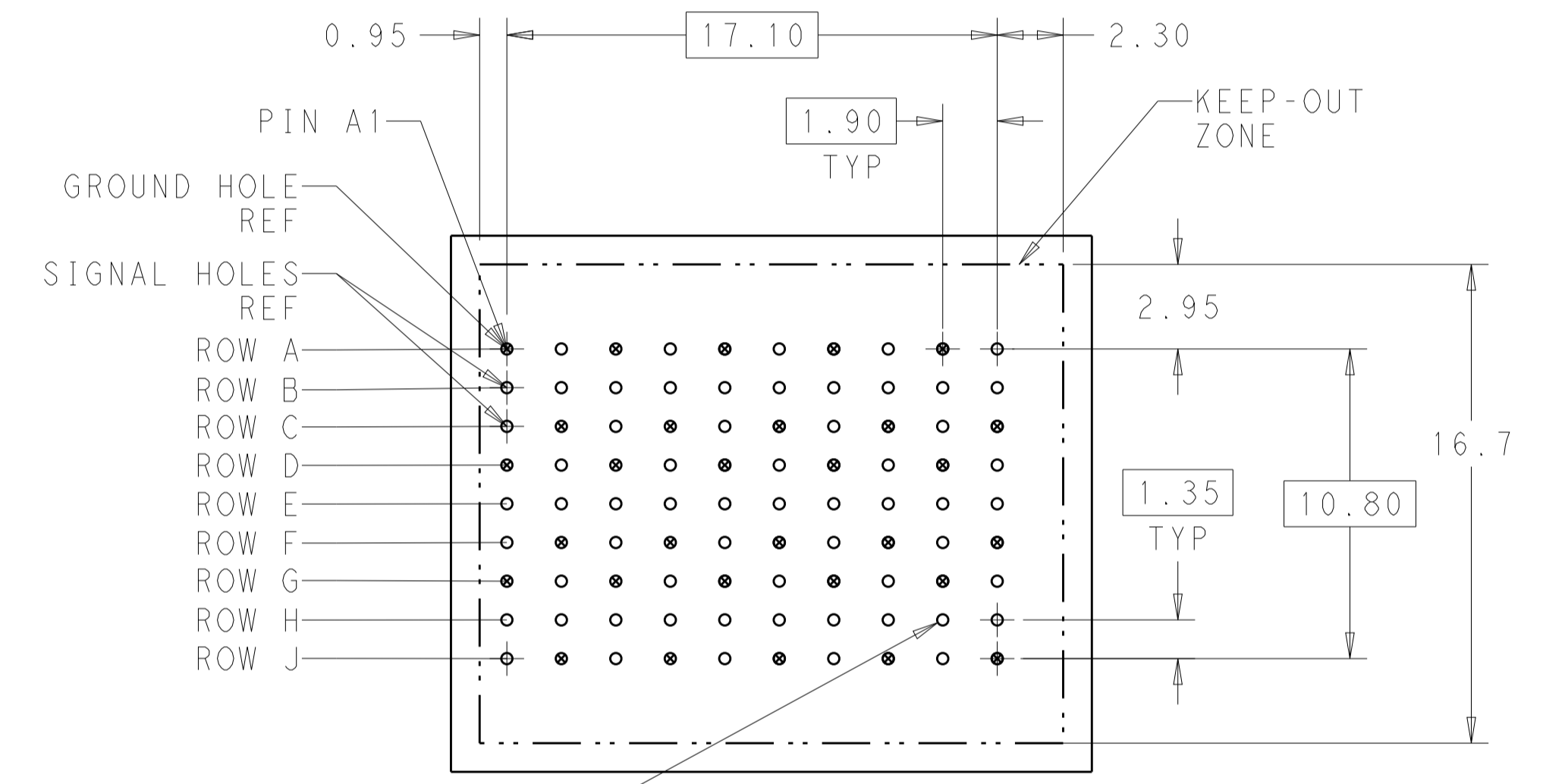


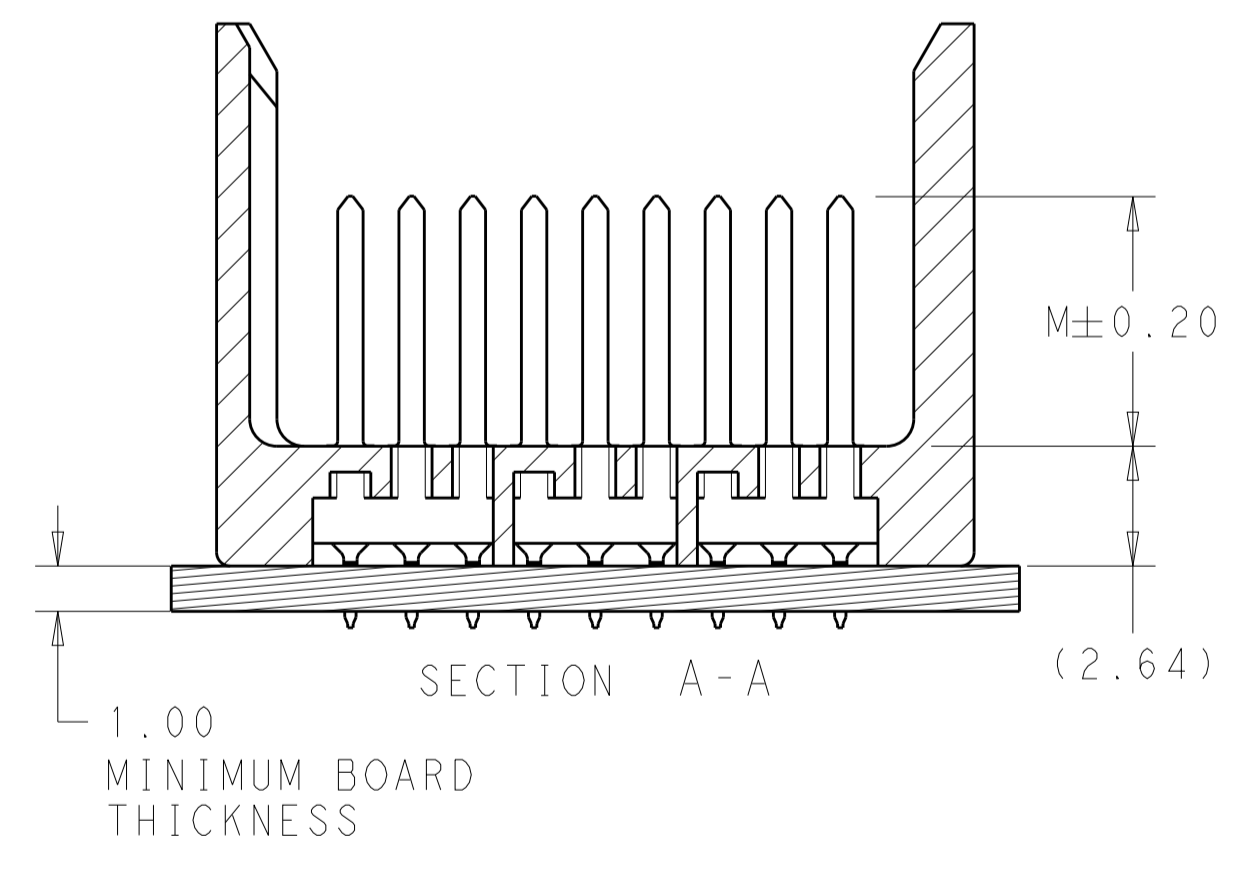
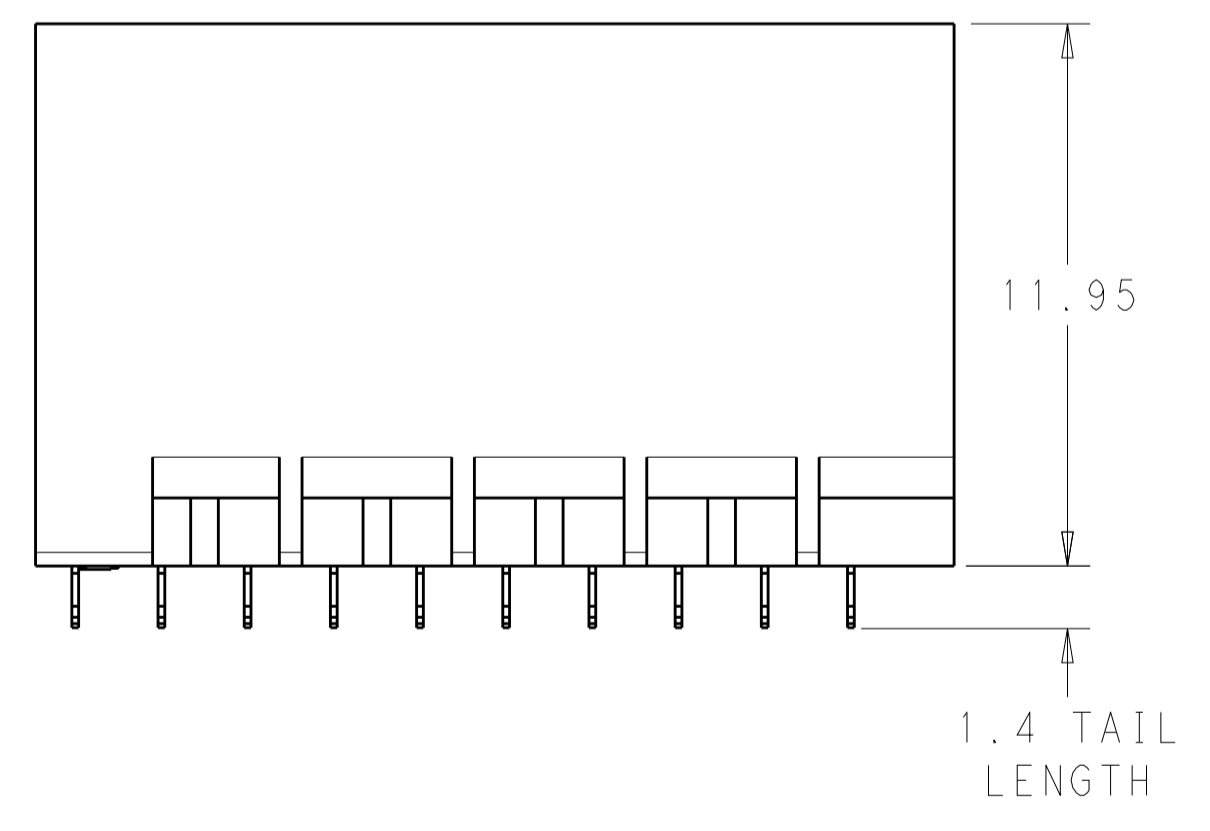
LOC		DIST		REVISIONS			
AD	00	P	LTN	DESCRIPTION	DATE	DMN	APVD
		B1		REVISED PER ECO-17-008265	19MAY2017	A. S.	S. Y.



- ⚠ MATERIAL:
HOUSING: LCP, GLASS FILLED, UL94V-0.
TERMINALS: HIGH PERFORMANCE COPPER ALLOY.
- ⚠ FINISH:
30μ" MIN GOLD IN CONTACT AREA. SELECTIVE TIN
ON PCB TAILS, NICKEL OVERALL.
- ⚠ FINISH:
30μ" MIN GOLD IN CONTACT AREA. SELECTIVE TIN-LEAD
ON PCB TAILS, NICKEL OVERALL.



UNGUIDED
BACKPLANE HOLE PATTERN
(CONNECTOR SIDE)



⚠	5.5	2007791-6
⚠	4.9	2007791-5
⚠	4.5	2007791-4
⚠	5.5	2007791-3
⚠	4.9	2007791-2
⚠	4.5	2007791-1
FINISH	DIM M	PART NUMBER

REFER TO WWW.TE.COM
FOR PRODUCT AVAILABILITY

THIS DRAWING IS A CONTROLLED DOCUMENT.		DMN J. K. SHOBER 21DEC2010	TE Connectivity
DIMENSIONS:		CHK J. EARY 21DEC2010	
mm	TOLERANCES UNLESS OTHERWISE SPECIFIED:	APVD J. EARY 21DEC2010	NAME IMPACT, 3 PAIR, 10 COLUMN, HEADER UNGUIDED, RIGHT END WALL SIGNAL MODULE, 0.39 PTH
0 PLC ±.13 1 PLC ±0.25 2 PLC ±0.13 3 PLC ±.13 4 PLC ±.13 ANGLES ±.13	FINISH SEE TABLE MATERIAL ⚠	PRODUCT SPEC APPLICATION SPEC WEIGHT CUSTOMER DRAWING	SIZE CAGE CODE DRAWING NO. RESTRICTED TO A1007791C=2007791 SCALE 6:1 SHEET 1 OF 1 REV B1

单击下面可查看定价，库存，交付和生命周期等信息

[>>TE Connectivity\(泰科\)](#)