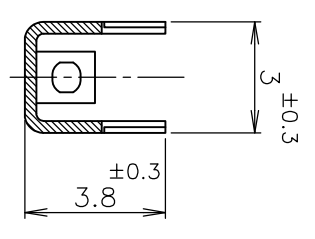
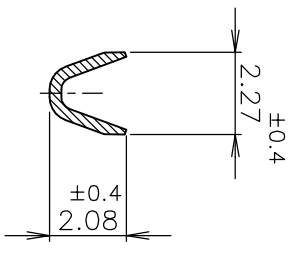


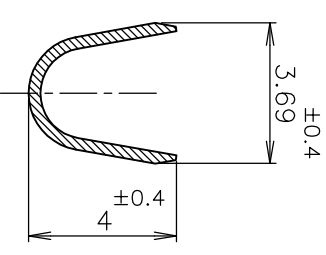
| | | | | |
|-----|------|-----------|-----------------------|---------|
| Loc | DIST | REVISIONS | | |
| ES | 00 | P | DESCRIPTION | DATE |
| | | LTR | | DWN |
| | | B | REVISED ECR-08-010159 | 22APR08 |
| | | | | C.Z S.Y |



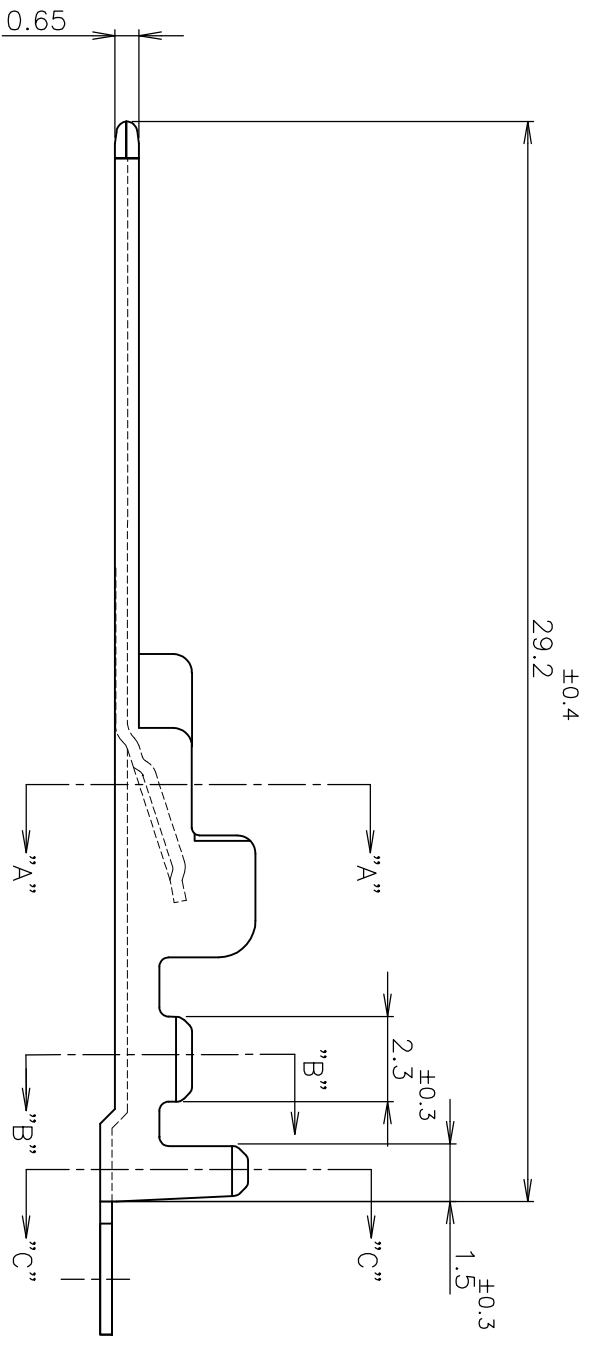
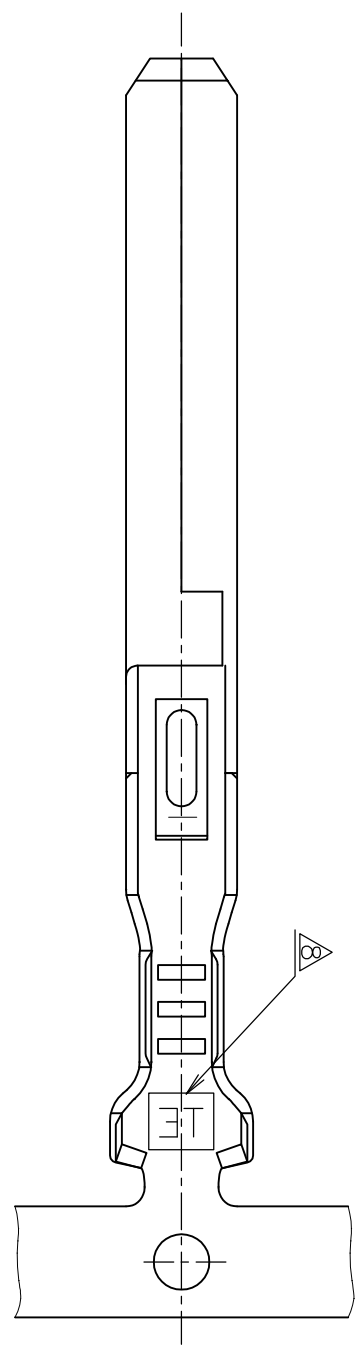
SECT "A" - "A"



SECT "B" - "B"



SECT "C" - "C"



- NOTES:
- 1 MATERIAL : COPPER ALLOY.
 - 2 FINISH : PRE-PLATED
 - 3 NICKEL PL ALL OVER
 - 4 CONTACT AREA : GOLD PL.
 - 5 BARREL AREA : TIN-LEAD PL.
 - 6 FINISH : TIN PL ALL OVER.
 - 7 FINISH : PRE-PLATED
 - 8 NICKEL PL ALL OVER
 - 9 CONTACT AREA : GOLD PL.
 - 10 BARREL AREA : TIN PL.
 - 11 USED CONNECTOR P/N : X-179325-X, X-179318-X
 - 12 : X-179388-X
 - 13 APPLICATION SPECIFICATION : (114-5182)
 - 14 GENERAL TOLERANCE
 - 15 10 \pm : ± 0.2
 - 16 30 \pm > 10 : ± 0.25
 - 17 100 \pm > 30 : ± 0.3
 - 18 ANGLES : $\pm 3^\circ$
 - 19 TRADE MARK: "TE"

THIS DRAWING IS A CONTROLLED DOCUMENT.

| | | |
|-------------|-------|--|
| DIMENSIONS: | MM | TOLERANCES UNLESS OTHERWISE SPECIFIED: |
| 0 PLC | \pm | 1 PLC |
| 1 PLC | \pm | 2 PLC |
| 2 PLC | \pm | 3 PLC |
| 3 PLC | \pm | 4 PLC |
| 4 PLC | \pm | ANGLES |
| FINISH | 1 | 2 |
| | 3 | 4 |

| | |
|------------------|-----------|
| DWN | 03FEB94 |
| CHK | T.YAMAD |
| Y.FUJUIRA | 08FEB94 |
| APVD | Y.FUJUIRA |
| PRODUCT SPEC | 08FEB94 |
| APPLICATION SPEC | 114-5182 |
| WEIGHT | |

| | |
|-----------------------------------|-------------------|
| WIRE RANGE | INSULATION DIA |
| 0.2~0.5mm ² (AWG20~24) | ϕ 1.4~2.6 mm |
| 4 | 179322-3 |
| 3 | 1-179322-2 |
| 2 | 179322-2 |
| FINISH | P/N |

| | |
|------------------------------|------------------|
| NAME | PLUG TAB CONTACT |
| HYBRID MINI DRAWER CONNECTOR | |
| SIZE | A3 |
| CAGE CODE | 00779 |
| DRAWING NO | 179322 |
| RESTRICTED TO | |

单击下面可查看定价，库存，交付和生命周期等信息

[>>TE Connectivity\(泰科\)](#)