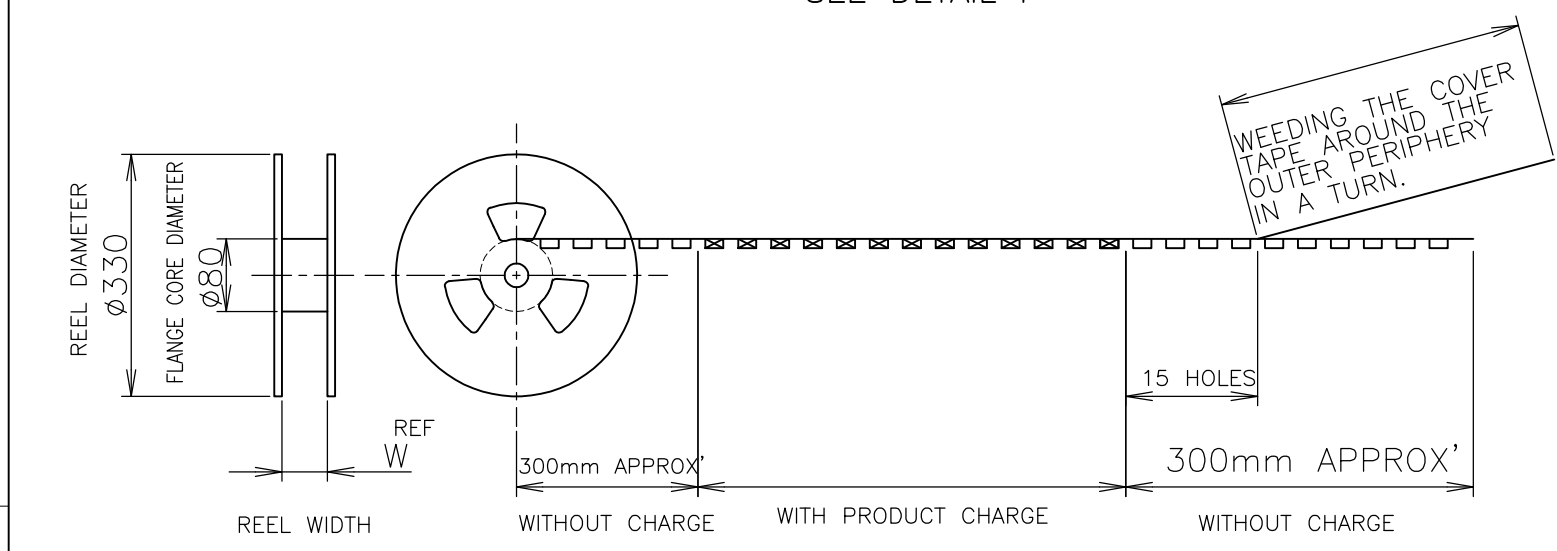
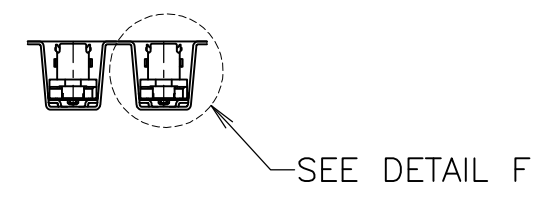
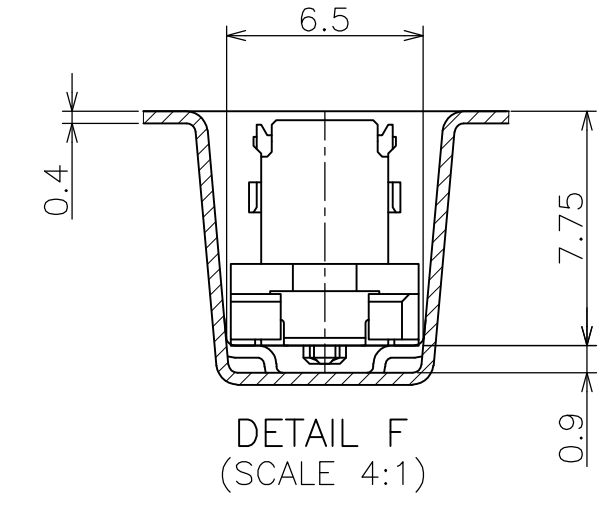
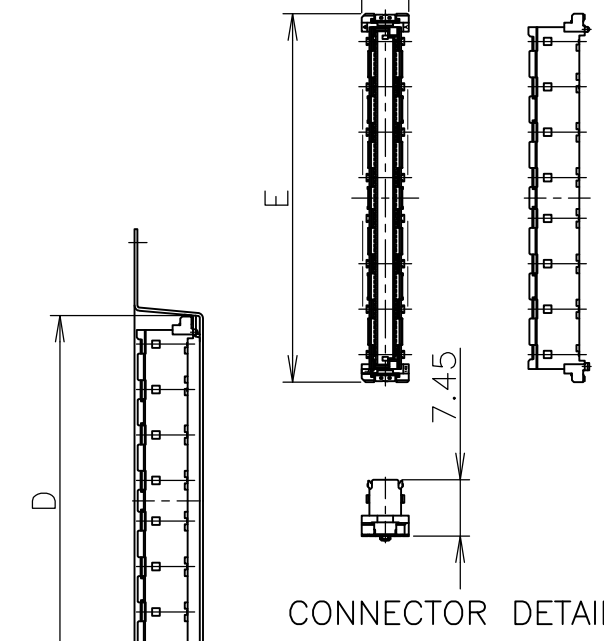
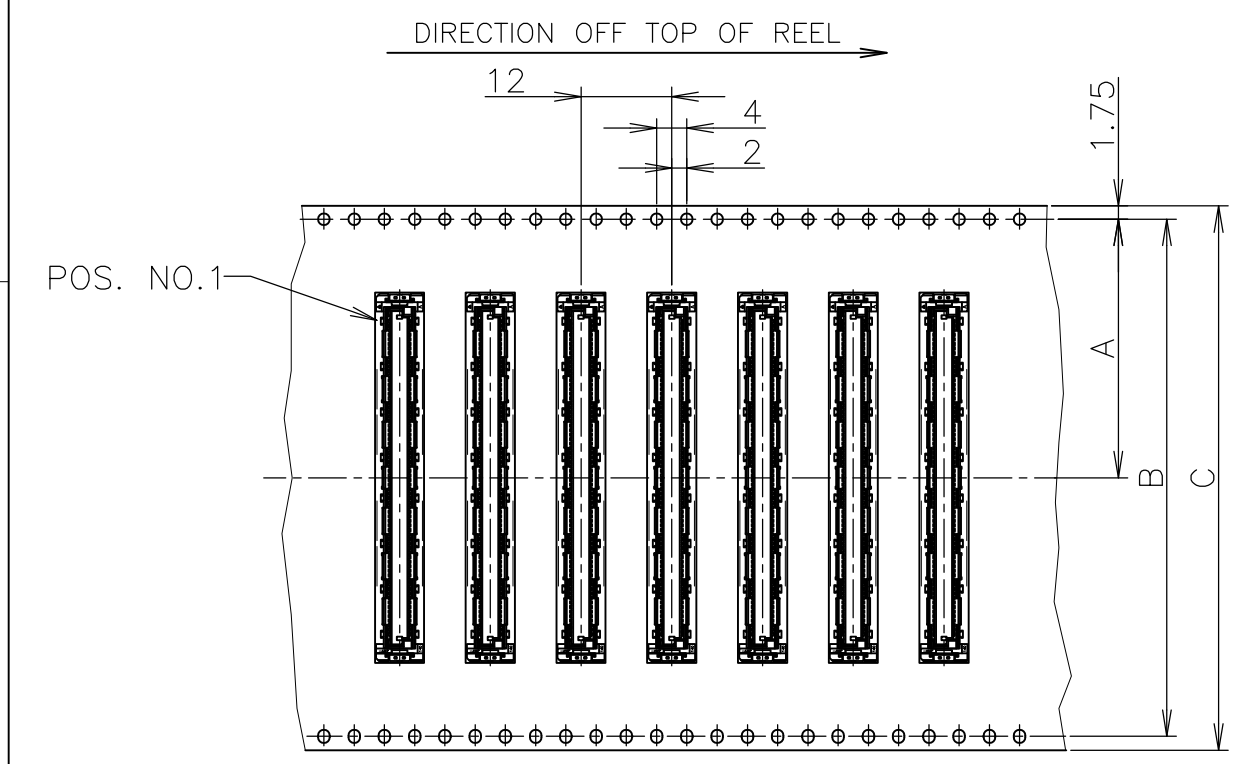


THIS DRAWING IS UNPUBLISHED. RELEASED FOR PUBLICATION JUN , 1996.  
 © COPYRIGHT 1996 By - ALL RIGHTS RESERVED.

LOC	DIST	REVISIONS					
J		P	LTR	DESCRIPTION	DATE	DWN	APVD
		A1	REVISED	ECR-15-005119	02APR2015	I.T	W.H
		B	REVISED	PER ECO-17-002393	27MAY17	B.J	S.Y



SEALANT	TOOLING STATUS	QTY.	W	E	D	C	B	A	POS.	PART NO.
NOT AVAILABLE		600	77.5	54.7	55	72	68.4	34.2	160	6-5353187-1
AVAILABLE		↑	77.5	48.7	49	72	68.4	34.2	140	6- -0
NOT AVAILABLE			61.5	42.7	43	56	52.4	26.2	120	5- -9
↑			61.5	36.7	37	56	52.4	26.2	100	5- -8
↑			61.5	33.7	34	56	52.4	26.2	90	5- -7
NOT AVAILABLE			49.5	30.7	31	44	40.4	20.2	80	5- -6
NOT AVAILABLE			49.5	27.7	28	44	40.4	20.2	70	5- -5
NOT AVAILABLE			49.5	24.7	25	44	40.4	20.2	60	5- -4
↑			37.5	21.7	22	32	28.4	14.2	50	5- -3
↑			37.5	18.7	19	32	28.4	14.2	40	5- -2
NOT AVAILABLE		600	29.5	15.7	16	24	-	11.5	30	5-5353187-1
AVAILABLE		600	77.5	54.7	55	72	68.4	34.2	160	1-5353187-1
AVAILABLE		↑	77.5	48.7	49	72	68.4	34.2	140	1- -0
NOT AVAILABLE			61.5	42.7	43	56	52.4	26.2	120	-9
↑			61.5	36.7	37	56	52.4	26.2	100	-8
↑			61.5	33.7	34	56	52.4	26.2	90	-7
↑			49.5	30.7	31	44	40.4	20.2	80	-6
↑			49.5	27.7	28	44	40.4	20.2	70	-5
↑			49.5	24.7	25	44	40.4	20.2	60	-4
↑			37.5	21.7	22	32	28.4	14.2	50	-3
↑			37.5	18.7	19	32	28.4	14.2	40	-2
NOT AVAILABLE		600	29.5	15.7	16	24	-	11.5	30	5353187-1

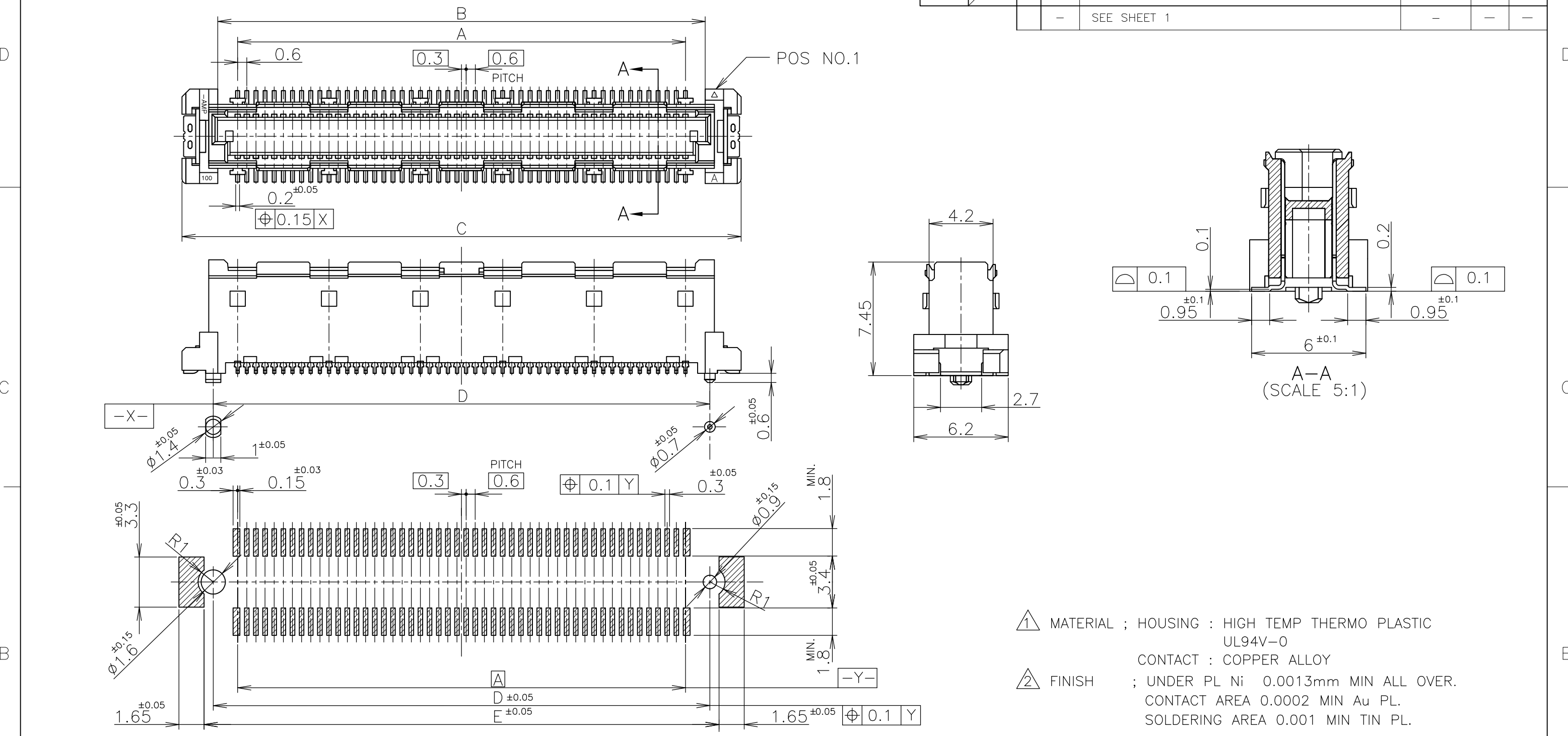
3 THIS PRODUCT WAS COATED BY FLUX-PENETRATION -INHIDITING AGENT.

THIS DRAWING IS A CONTROLLED DOCUMENT.

DIMENSIONS: 单位: 耗 mm	TOLERANCES UNLESS OTHERWISE SPECIFIED: 一般公差	DWN HAWKING HE 20DEC04	 TE Connectivity
	0 PLC ± 0.2 1 PLC ± 0.2 2 PLC ± 0.2 3 PLC ± 0.2 4 PLC ± 0.2 ANGLES ± 5°	CHK STEVEN YAO 20DEC04	
		APVD I.ENOMOTO 20DEC04	
		PRODUCT SPEC 製品規格 108-60047	
MATERIAL 材料	FINISH 仕上	APPLICATION SPEC 取付適用規格 114-5255	NAME 名称
		WEIGHT	EMBOSS ASSY
		CUSTOMER DRAWING	FH 0.6BTB CONNECTOR
			PLUG 8H STD TYPE
			SIZE A3
			CAGE CODE 00779
			DRAWING NO. G-5353187
			RESTRICTED TO
			SCALE 尺度 1:1
			SHEET 1 OF 2
			REV B

THIS DRAWING IS UNPUBLISHED. RELEASED FOR PUBLICATION JUN , 1996.  
 © COPYRIGHT 1996 By - ALL RIGHTS RESERVED.

LOC	DIST	REVISIONS			DATE	DWN	APVD
		P	LTR	DESCRIPTION			
J		-	-	SEE SHEET 1	-	-	-



- 1 MATERIAL ; HOUSING : HIGH TEMP THERMO PLASTIC UL94V-0  
CONTACT : COPPER ALLOY
- 2 FINISH ; UNDER PL Ni 0.0013mm MIN ALL OVER.  
CONTACT AREA 0.0002 MIN Au PL.  
SOLDERING AREA 0.001 MIN TIN PL.

REFERENCE P.C.BOARD LAYOUT  
(VIEW FROM CONN. MOUNTING SIDE)

AVAILABLE	51.8	50.6	54.7	50	47.4	160
AVAILABLE	45.8	44.6	48.7	44	41.4	140
NOT AVAILABLE	39.8	38.6	42.7	38	35.4	120
AVAILABLE	33.8	32.6	36.7	32	29.4	100
NOT AVAILABLE	30.8	29.6	33.7	29	26.4	90
NOT AVAILABLE	27.8	26.6	30.7	26	23.4	80
AVAILABLE	24.8	23.6	27.7	23	20.4	70
NOT AVAILABLE	21.8	20.6	24.7	20	17.4	60
↑	19.8	17.6	21.7	17	14.4	50
↑	15.8	14.6	18.7	14	11.4	40
NOT AVAILABLE	12.8	11.6	15.7	11	8.4	30
TOOLING STATUS	E	D	C	B	A	POS

GENERAL TOLERANCE  
一般公差

10 ≥ ±0.2  
30 ≥ >10: ±0.25  
100 ≥ >30: ±0.3  
ANGLES: ±3°

THIS DRAWING IS A CONTROLLED DOCUMENT.

DIMENSIONS: 単位: 耗 mm	TOLERANCES UNLESS OTHERWISE SPECIFIED: 一般公差	DWN	TE Connectivity			
	0 PLC ± - 1 PLC ± - 2 PLC ± - 3 PLC ± - 4 PLC ± - ANGLES ± -	CHK	NAME 名称			
		APVD	EMBOSS ASSY FH 0.6BTB CONNECTOR PLUG 8H STD TYPE			
MATERIAL 材料	FINISH 仕上	PRODUCT SPEC 製品規格	SIZE	CAGE CODE	DRAWING NO 番号	RESTRICTED TO
		APPLICATION SPEC 取付適用規格	A3	00779	C-5353187	
CUSTOMER DRAWING		WEIGHT	SCALE 尺度	SHEET	REV	
			4:1	2 OF 2	B	

单击下面可查看定价，库存，交付和生命周期等信息

[>>TE Connectivity\(泰科\)](#)