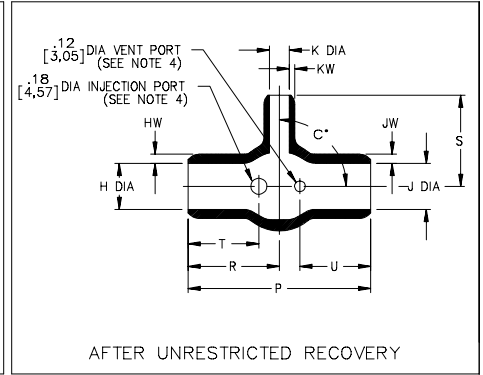
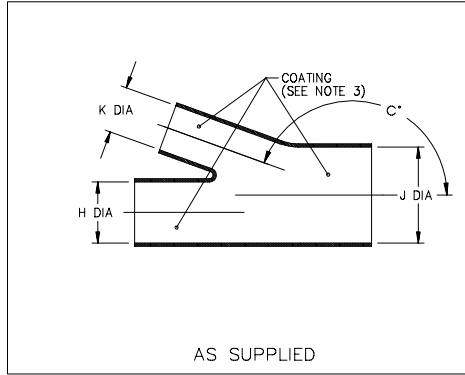


Thermofit<sup>®</sup> Molded Parts  
 Specification Control Drawing  
 Limited Distribution

Part Number : 322A423  
 Description : Transition, 90°, Side Breakout, Thinwall

NOTES

- All dimensions are in  $\frac{\text{inches}}{\text{[millimeters]}}$
- Dimensions appearing in table are as follows:  
 a - As Supplied  
 b - After Unrestricted Recovery
- Coating is optional. As supplied dimensions appearing in table are for uncoated parts. When coating is added, entry diameters will be reduced by .06 max.
- Molding ports are optional. When -00 modification number is specified molding ports will be located as shown.



PART NUMBER	H & J		K		P	R	S	T	U	HW&JW	KW	C*	
	Min a	Max b	Min a	Max b	±10% b	±10% b	±10% b	±10% b	±10% b	±20% b	±20% b	±10% a	±5% b
322A423	1.40 [35,5]	.70 [17,7]	.60 [15,2]	.30 [7,7]	2.00 [50,8]	1.00 [25,4]	1.00 [25,4]	.82 [20,8]	.82 [20,8]	.091 [2,31]	.058 [1,47]	165	90

If this document is printed it becomes uncontrolled.  
 Check for the latest revision.

**Raychem**

RAYCHEM CORPORATION  
 300 CONSTITUTION DRIVE  
 MENLO PARK, CALIFORNIA 94025  
 (415) 361-6055

Revision : B  
 Date : 8/5/93

Part Number : 322A423  
 Description : Transition, 90°, Side Breakout, Thinwall

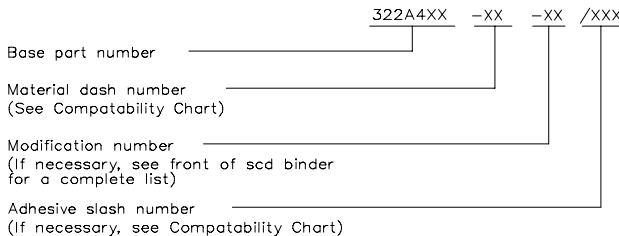
Thermofit<sup>®</sup> Molded Parts  
 Specification Control Drawing  
 Limited Distribution

Part Number : 322A423  
 Description : Transition, 90°, Side Breakout, Thinwall

MATERIAL DASH NO.	MATERIAL DESCRIPTION	RT SPEC	COATING SLASH NO.	COATING S NO.	COATING DESCRIPTION
-3	Polyolefin, Semi-rigid	RT-301	/42;/86	S-1017;S-1048	Adhesive
-4	Polyolefin, Flexible	RT-1304	/42;/86	S-1017;S-1048	Adhesive
-5	Elastomer, Flexible	RT-501	/42	S-1017	Adhesive
-6	Silicone	RT-602	N/A		
-12	*VITON, Flexible	RT-1312	N/A		
-25	Elastomer, Fluid Resistant	RT-1325	/86	S-1048	Adhesive
-100	Polyolefin, Semi-flexible ZEROHAL™	RT-1323	/180	S-1030	Adhesive

\*VITON is a Registered Trademark of Dupont

ORDERING INFORMATION



THIS DRAWING IS SUBJECT TO CHANGE WITHOUT NOTICE; CONSULT YOUR  
 NEAREST FIELD REPRESENTATIVE FOR CURRENT REVISION

**Raychem**

RAYCHEM CORPORATION  
 300 CONSTITUTION DRIVE  
 MENLO PARK, CALIFORNIA 94025  
 (415) 361-6055

Revision : B  
 Date : 8/5/93

Part Number : 322A423  
 Description : Transition, 90°, Side Breakout, Thinwall  
 CAD FILE MP93230

单击下面可查看定价，库存，交付和生命周期等信息

[>>TE Connectivity\(泰科\)](#)