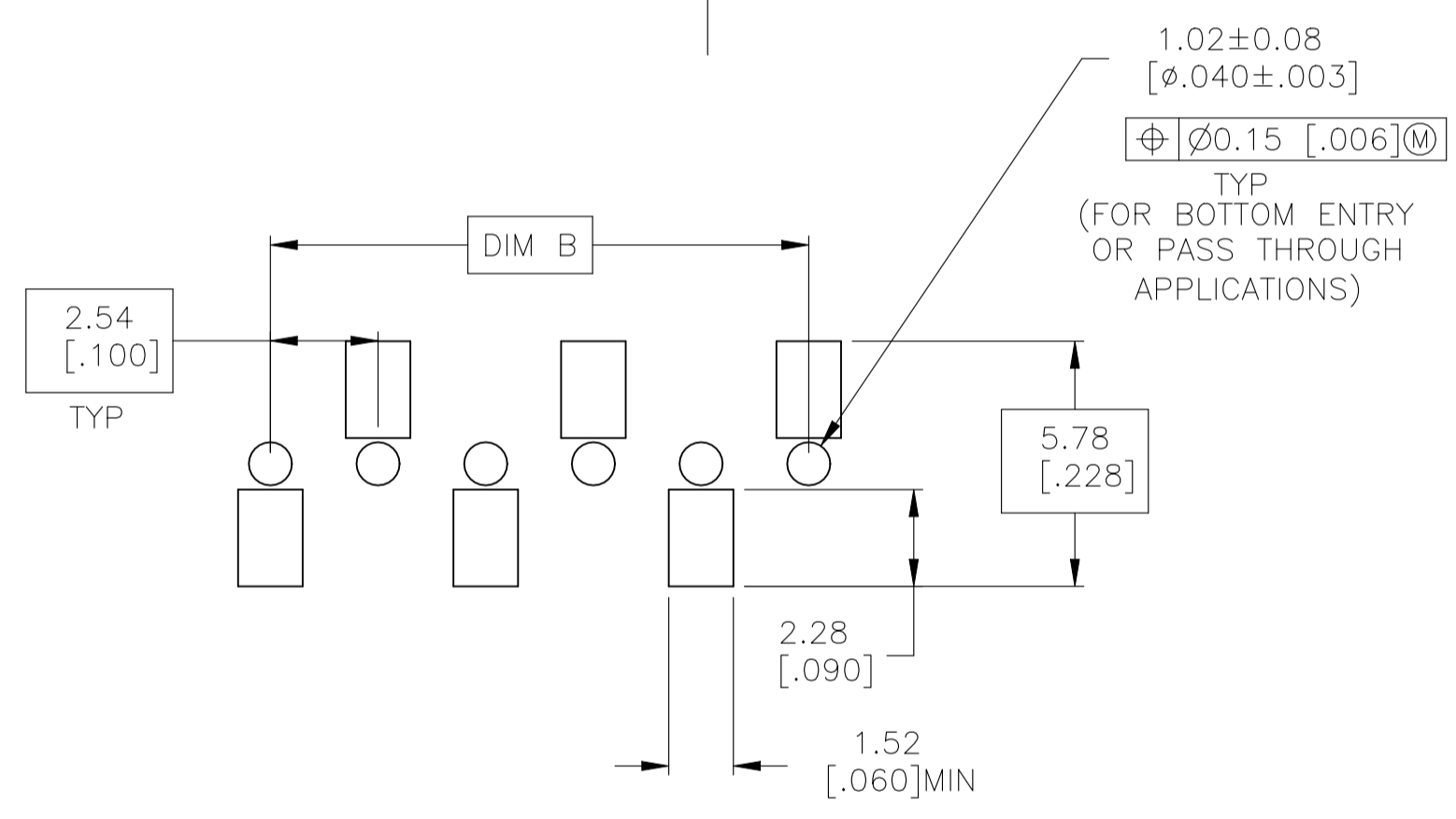
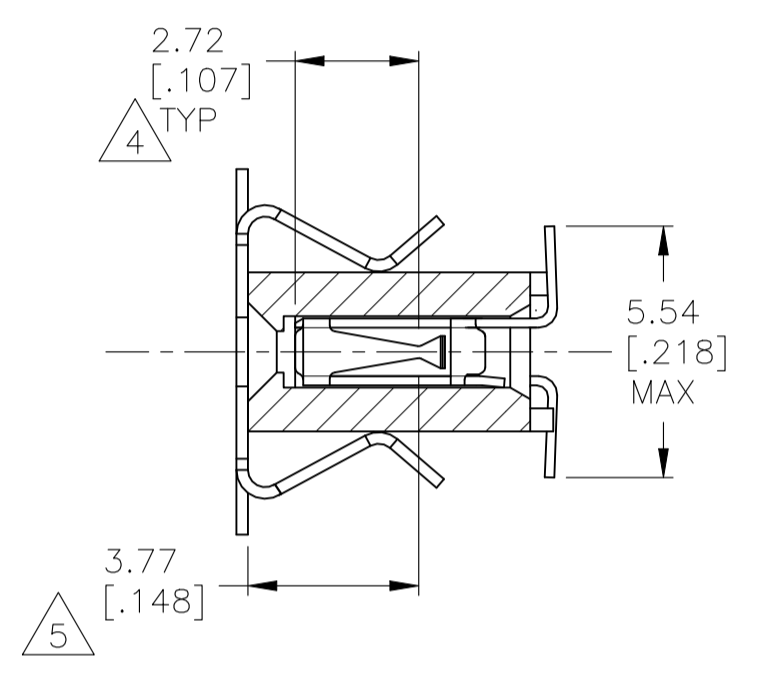
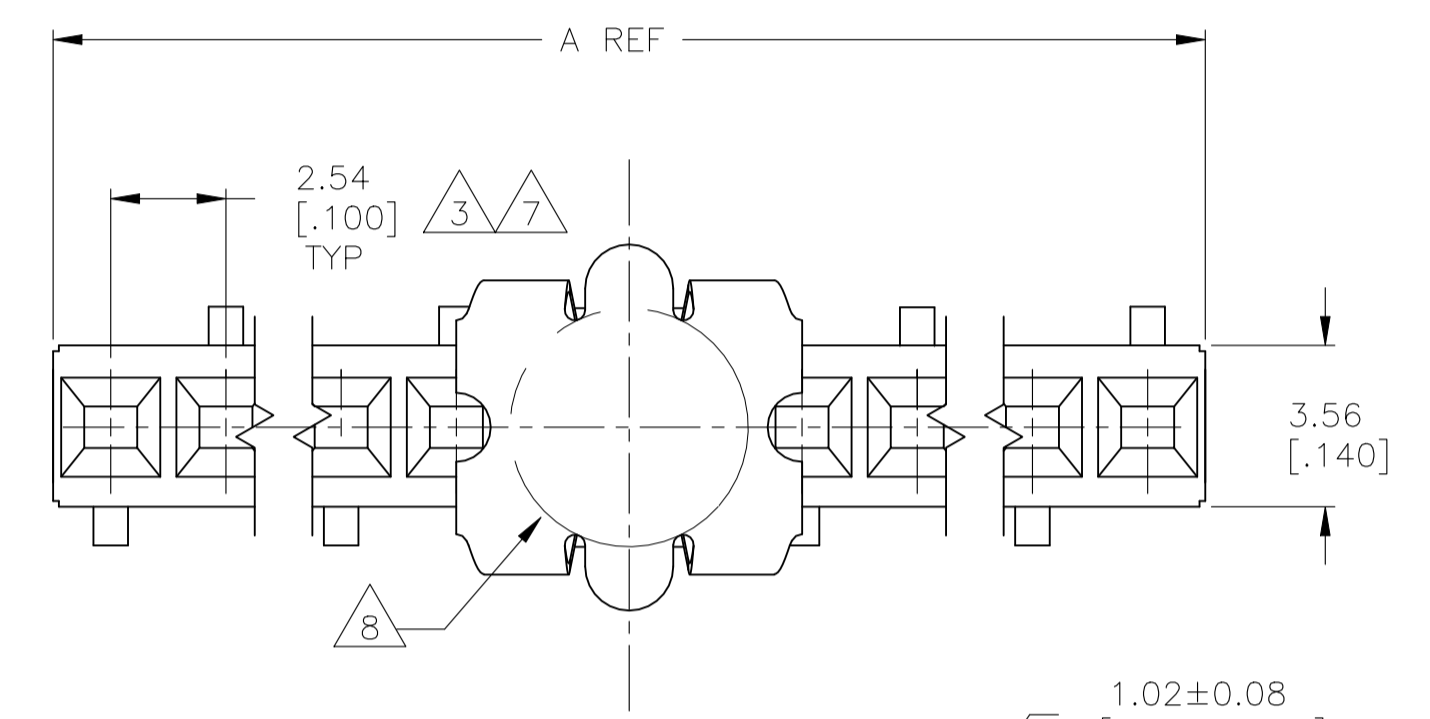
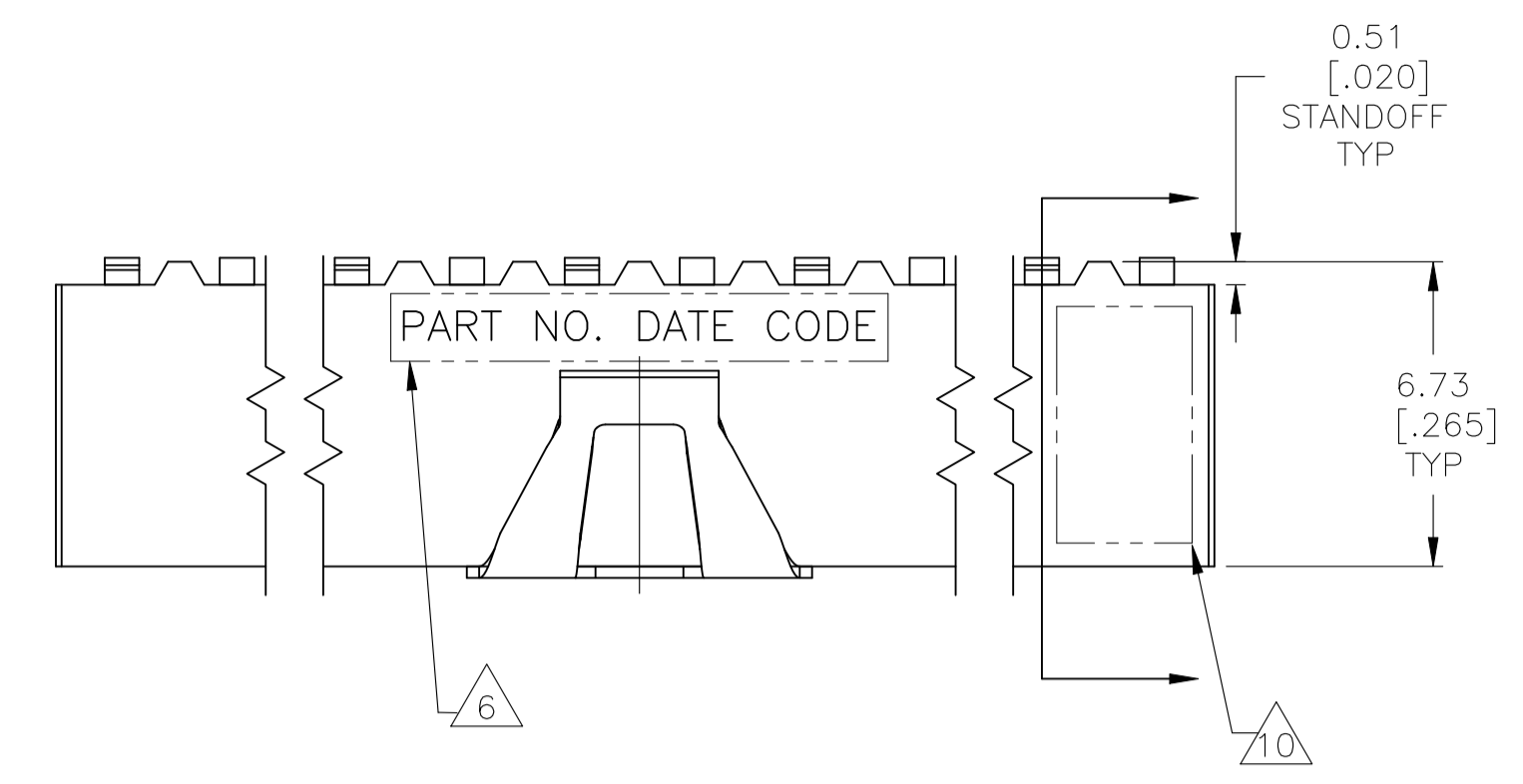


REVISIONS				
REV	DATE	DESCRIPTION	BY	APPV
K	02DEC2021	RESIN SUPPLIER CHANGE FOR THE HOUSING	SCB	KJK



RECOMMENDED PC BOARD PAD PATTERN
0.20 [.008] THICK STENCIL

- 1 HOUSING: GLASS FILLED, FLAME RETARDANT POLYESTER, BLACK CONTACTS: PHOSPHOR BRONZE. VACUUM COVER: STAINLESS STEEL
- 2 CONTACTS: DUPLEX PLATED: 0.76µm [.000030] GOLD IN CONTACT AREA 3.81-7.62µm [.000150-.000300] BRIGHT TIN-LEAD ON LEADS, ALL OVER 1.27µm [.000050] MINIMUM NICKEL.
- 3 THESE DIMENSIONS PERTAIN TO CAVITY CENTERLINES ONLY. NOT TO CONTACT LOCATION
- 4 POINT OF MEASUREMENT FOR PLATING THICKNESS.
- 5 POINT OF CONTACT DIMENSION.
- 6 MARK PART NUMBER AND DATE CODE IN APPROXIMATE LOCATION SHOWN, EITHER SIDE.
- 7 TOLERANCE IS NON-CUMULATIVE.
- 8 5.2 [.205] MIN TARGET AREA FOR VACUUM PICK-UP COVERS TO BE REMOVED AFTER SOLDERING.
- 9 FOR 2 POS, DATE CODE IS STAMPED OPPOSITE SIDE OF TE LOGO.
- 10 TE LOGO AND CSA LOGO ARE MOLDED INTO HOUSING.
- 11 NO PART NUMBER MARKING REQUIRED ON THIS PART.
- 12 CONTACT: DUPLEX PLATED: 0.76 MICROMETERS (.000030) GOLD IN CONTACT AREA, 3.81-7.62 MICROMETERS (.000150-.000300) MATTE TIN ON LEADS, ALL OVER 1.27 MICROMETERS (.000050) MINIMUM NICKEL.
- 13 ROHS 2002/95/EC COMPLIANT
- 14 OBSOLETE

SUPERSEDED BY 6-147723-9
SUPERSEDED BY 6-147723-5

W	L	W	L	NO OF POSN	FINISH	PART NUMBER
120mm	99.06 [3.900]	101.6 [4.000]	40	△	3-147723-9	
	96.52 [3.800]	99.06 [3.900]	39	△	3-147723-8	
	93.98 [3.700]	96.52 [3.800]	38	△	3-147723-7	
	91.44 [3.600]	93.98 [3.700]	37	△	3-147723-6	
	88.90 [3.500]	91.44 [3.600]	36	△	3-147723-5	
	86.34 [3.400]	88.90 [3.500]	35	△	3-147723-4	
	83.82 [3.300]	86.34 [3.400]	34	△	3-147723-3	
	81.28 [3.200]	83.82 [3.300]	33	△	3-147723-2	
	78.74 [3.100]	81.28 [3.200]	32	△	3-147723-1	
	76.20 [3.000]	78.74 [3.100]	31	△	3-147723-0	
	73.66 [2.900]	76.20 [3.000]	30	△	2-147723-9	
	71.12 [2.800]	73.66 [2.900]	29	△	2-147723-8	
88mm	68.58 [2.700]	71.12 [2.800]	28	△	2-147723-7	
	66.04 [2.600]	68.58 [2.700]	27	△	2-147723-6	
	63.5 [2.500]	66.04 [2.600]	26	△	2-147723-5	
	60.96 [2.400]	63.5 [2.500]	25	△	2-147723-4	
	58.42 [2.300]	60.96 [2.400]	24	△	2-147723-3	
	55.88 [2.200]	58.42 [2.300]	23	△	2-147723-2	
72mm	53.34 [2.100]	55.88 [2.200]	22	△	2-147723-1	
	50.8 [2.000]	53.34 [2.100]	21	△	2-147723-0	
	48.26 [1.900]	50.8 [2.000]	20	△	1-147723-9	
	45.72 [1.800]	48.26 [1.900]	19	△	1-147723-8	
	43.18 [1.700]	45.72 [1.800]	18	△	1-147723-7	
	40.64 [1.600]	43.18 [1.700]	17	△	1-147723-6	
	38.1 [1.500]	40.64 [1.600]	16	△	1-147723-5	
	35.56 [1.400]	38.1 [1.500]	15	△	1-147723-4	
	33.02 [1.300]	35.56 [1.400]	14	△	1-147723-3	
	30.48 [1.200]	33.02 [1.300]	13	△	1-147723-2	
44mm	27.94 [1.100]	30.48 [1.200]	12	△	1-147723-1	
	25.4 [1.000]	27.94 [1.100]	11	△	1-147723-0	
	22.86 [.900]	25.4 [1.000]	10	△	147723-9	
	20.32 [.800]	22.86 [.900]	9	△	147723-8	
	17.78 [.700]	20.32 [.800]	8	△	147723-7	
	15.24 [.600]	17.78 [.700]	7	△	147723-6	
	12.7 [.500]	15.24 [.600]	6	△	147723-5	
	10.16 [.400]	12.7 [.500]	5	△	147723-4	
24mm	7.62 [.300]	10.16 [.400]	4	△	147723-3	
	5.08 [.200]	7.62 [.300]	3	△	147723-2	
	2.54 [.100]	5.08 [.200]	2	△	147723-1	
EIA TAPE WIDTH	B	A	NO OF POSN	FINISH	PART NUMBER	

9 OBSOLETE

THIS DRAWING IS A CONTROLLED DOCUMENT.


DIMENSIONS: mm [INCHES]	TOLERANCES UNLESS OTHERWISE SPECIFIED:	DIN R BROWN 19JAN01	TE Connectivity Ltd.
0. PLC ± -	1. PLC ± -	CHK J OLSON 19JAN01	REC. ASSY., MOD IV, SR, .100 CL SURFACE MOUNT, VERTICAL, DUAL ENTRY CLOSED ENTRY
2. PLC ± -	3. PLC ± .005	APVD J OLSON 19JAN01	PRODUCT SPEC 108-25026
4. PLC ± -	ANGLES ± -	APPLICATION SPEC 114-25018	SIZE CAGE CODE DRAWING NO RESTRICTED TO
MATERIAL 1	FINISH 2 12	WEIGHT -	A1 00779 C=147723
CUSTOMER DRAWING		SCALE 6:1	SHEET 1 OF 2 REV K

REVISIONS				
REV	DATE	DESCRIPTION	BY	APPV
-	-	SEE SHEET 1	-	-

120mm	99.06	[3.900]	101.6	[4.000]	40	△	△	8-147723-9
	96.52	[3.800]	99.06	[3.900]	39	△	△	8-147723-8
	93.98	[3.700]	96.52	[3.800]	38	△	△	8-147723-7
	91.44	[3.600]	93.98	[3.700]	37	△	△	8-147723-6
	88.90	[3.500]	91.44	[3.600]	36	△	△	8-147723-5
	86.34	[3.400]	88.90	[3.500]	35	△	△	8-147723-4
	83.82	[3.300]	86.34	[3.400]	34	△	△	8-147723-3
	81.28	[3.200]	83.82	[3.300]	33	△	△	8-147723-2
	78.74	[3.100]	81.28	[3.200]	32	△	△	8-147723-1
	76.20	[3.000]	78.74	[3.100]	31	△	△	8-147723-0
	73.66	[2.900]	76.20	[3.000]	30	△	△	7-147723-9
	71.12	[2.800]	73.66	[2.900]	29	△	△	7-147723-8
	68.58	[2.700]	71.12	[2.800]	28	△	△	7-147723-7
	66.04	[2.600]	68.58	[2.700]	27	△	△	7-147723-6
88mm	63.5	[2.500]	66.04	[2.600]	26	△	△	7-147723-5
	60.96	[2.400]	63.5	[2.500]	25	△	△	7-147723-4
	58.42	[2.300]	60.96	[2.400]	24	△	△	7-147723-3
	55.88	[2.200]	58.42	[2.300]	23	△	△	7-147723-2
72mm	53.34	[2.100]	55.88	[2.200]	22	△	△	7-147723-1
	50.8	[2.000]	53.34	[2.100]	21	△	△	7-147723-0
	48.26	[1.900]	50.8	[2.000]	20	△	△	6-147723-9
	45.72	[1.800]	48.26	[1.900]	19	△	△	6-147723-8
	43.18	[1.700]	45.72	[1.800]	18	△	△	6-147723-7
	40.64	[1.600]	43.18	[1.700]	17	△	△	6-147723-6
	38.1	[1.500]	40.64	[1.600]	16	△	△	6-147723-5
	35.56	[1.400]	38.1	[1.500]	15	△	△	6-147723-4
	33.02	[1.300]	35.56	[1.400]	14	△	△	6-147723-3
	30.48	[1.200]	33.02	[1.300]	13	△	△	6-147723-2
	27.94	[1.100]	30.48	[1.200]	12	△	△	6-147723-1
	25.4	[1.000]	27.94	[1.100]	11	△	△	6-147723-0
	22.86	[.900]	25.4	[1.000]	10	△	△	5-147723-9
	20.32	[.800]	22.86	[.900]	9	△	△	5-147723-8
	17.78	[.700]	20.32	[.800]	8	△	△	5-147723-7
	15.24	[.600]	17.78	[.700]	7	△	△	5-147723-6
	12.7	[.500]	15.24	[.600]	6	△	△	5-147723-5
	10.16	[.400]	12.7	[.500]	5	△	△	5-147723-4
	7.62	[.300]	10.16	[.400]	4	△	△	5-147723-3
	5.08	[.200]	7.62	[.300]	3	△	△	5-147723-2
2.54	[.100]	5.08	[.200]	2	△	△	5-147723-1	

9 OBSOLETE

EIA TAPE WIDTH	B	A	NO OF POSN	FINISH	PART NUMBER
----------------	---	---	------------	--------	-------------

THIS DRAWING IS A CONTROLLED DOCUMENT.		DIN R BROWN 19JAN01	 TE Connectivity Ltd.
DIMENSIONS: mm [INCHES]		CHK J OLSON 19JAN01	
TOLERANCES UNLESS OTHERWISE SPECIFIED:		APVD J OLSON 19JAN01	NAME
0. PLC ± .005	1. PLC ± .005	REC. ASSY., MOD IV, SR, .100 CL	
2. PLC ± .005	3. PLC ± .005	SURFACE MOUNT, VERTICAL DUAL ENTRY	
4. PLC ± .005	ANGLES ± .005	CLOSED ENTRY	
MATERIAL	FINISH	SIZE A1	RESTRICTED TO
WEIGHT		CAGE CODE 00779	DRAWING NO. 147723
CUSTOMER DRAWING		SCALE 5:1	SHEET 2 OF 2

单击下面可查看定价，库存，交付和生命周期等信息

[>>TE Connectivity\(泰科\)](#)