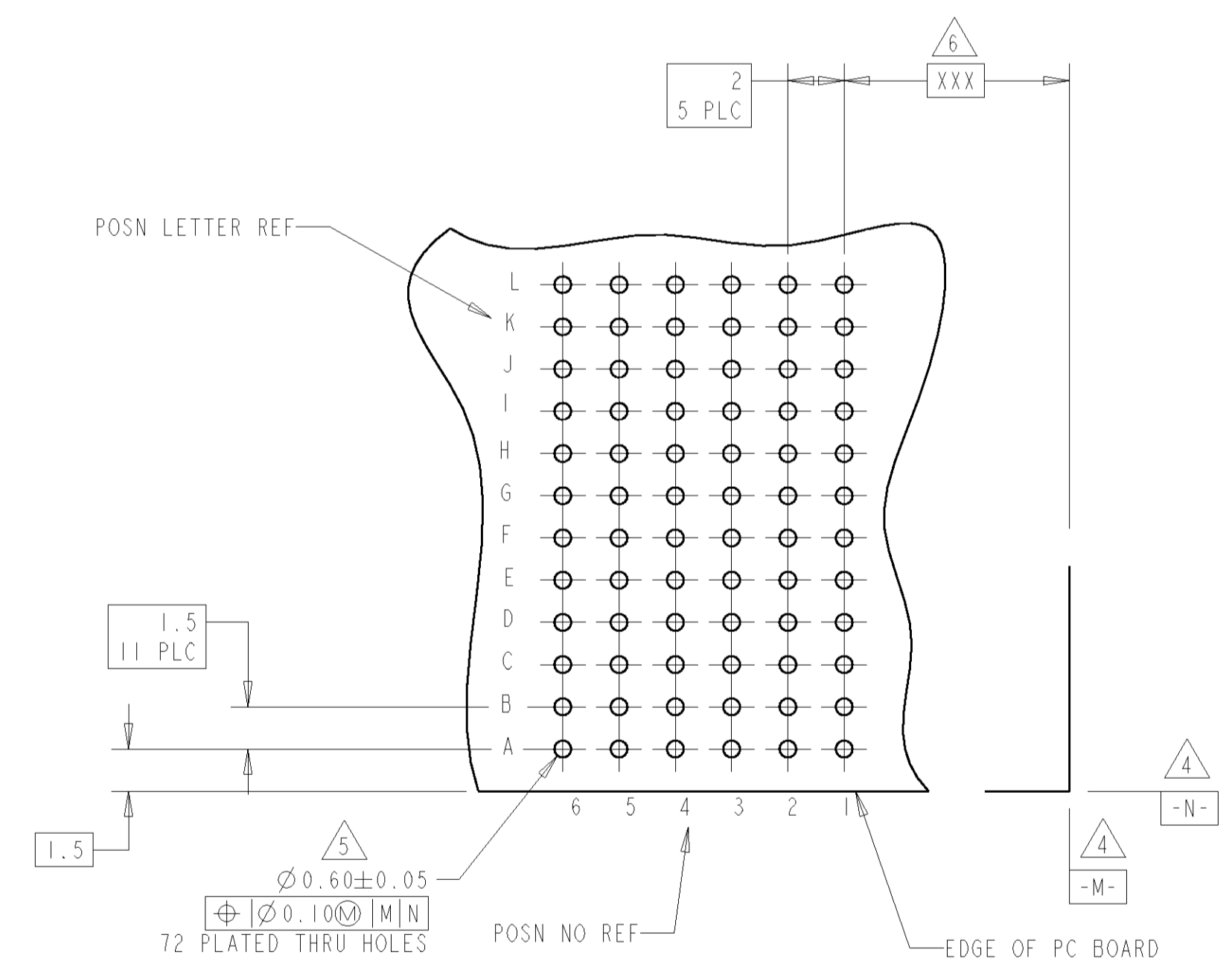
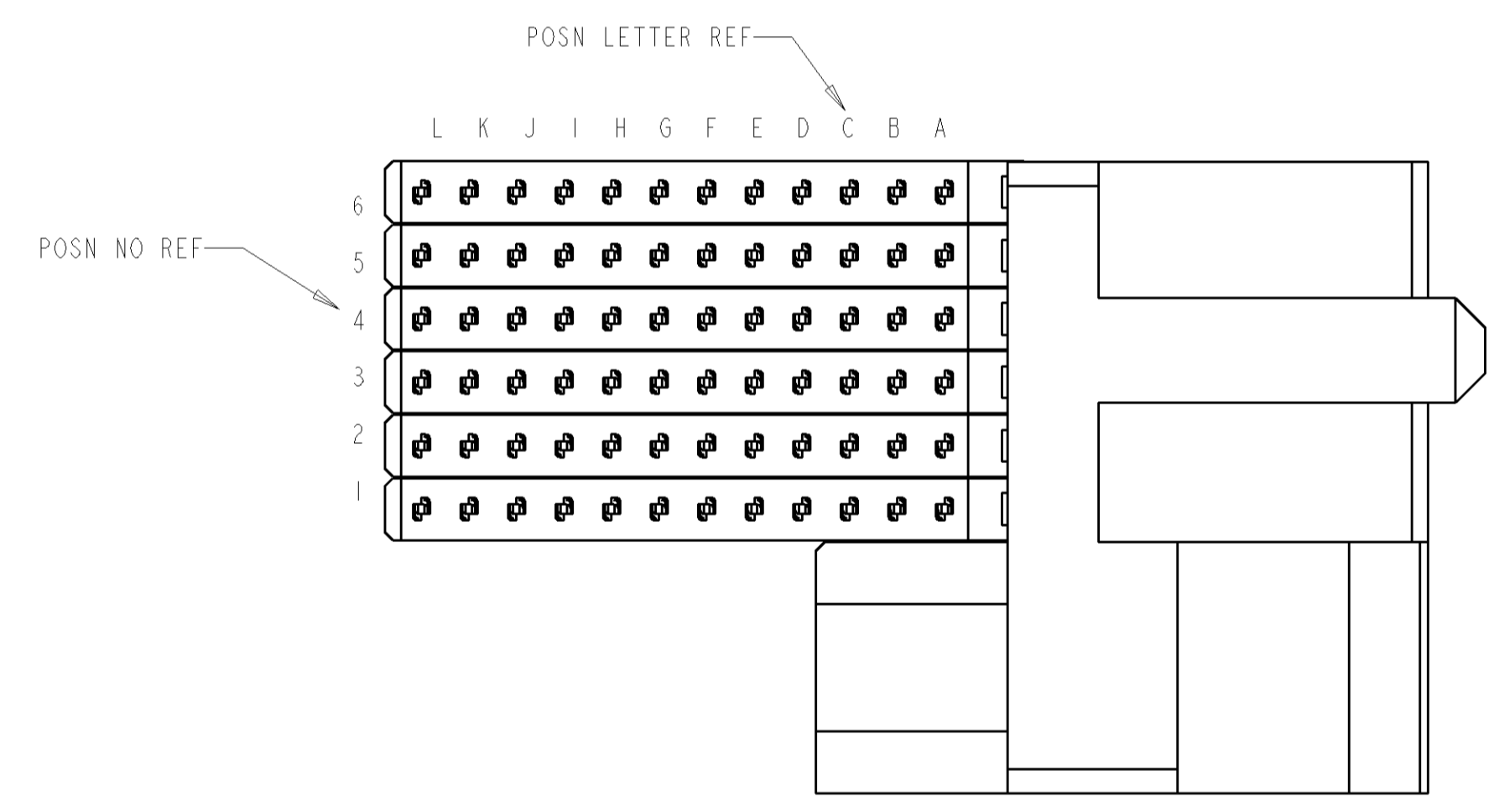
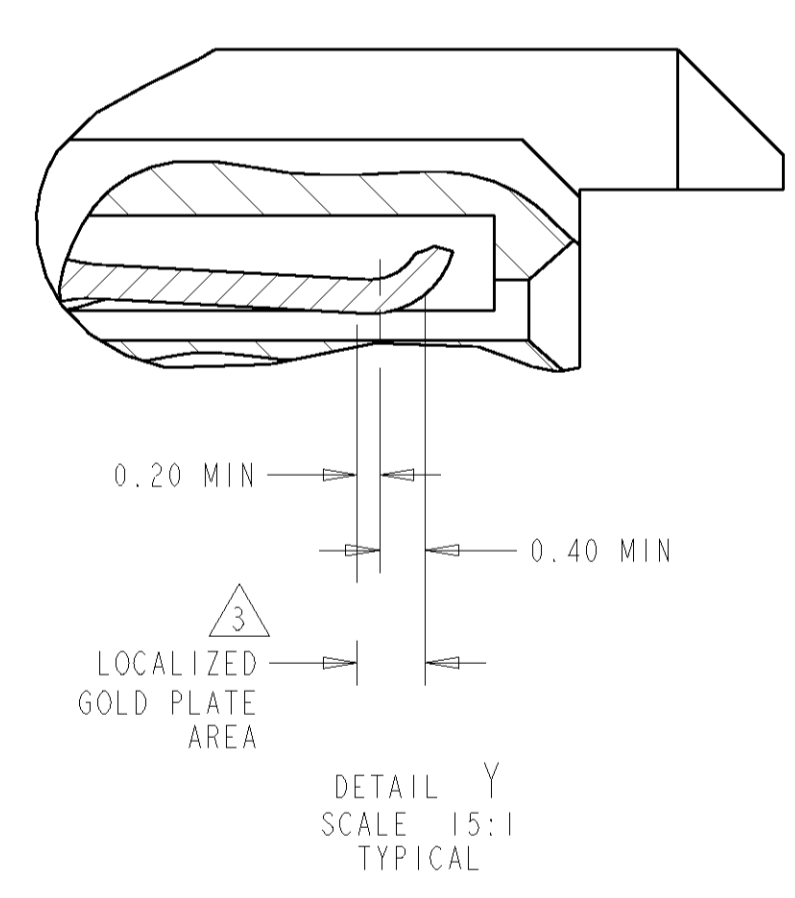
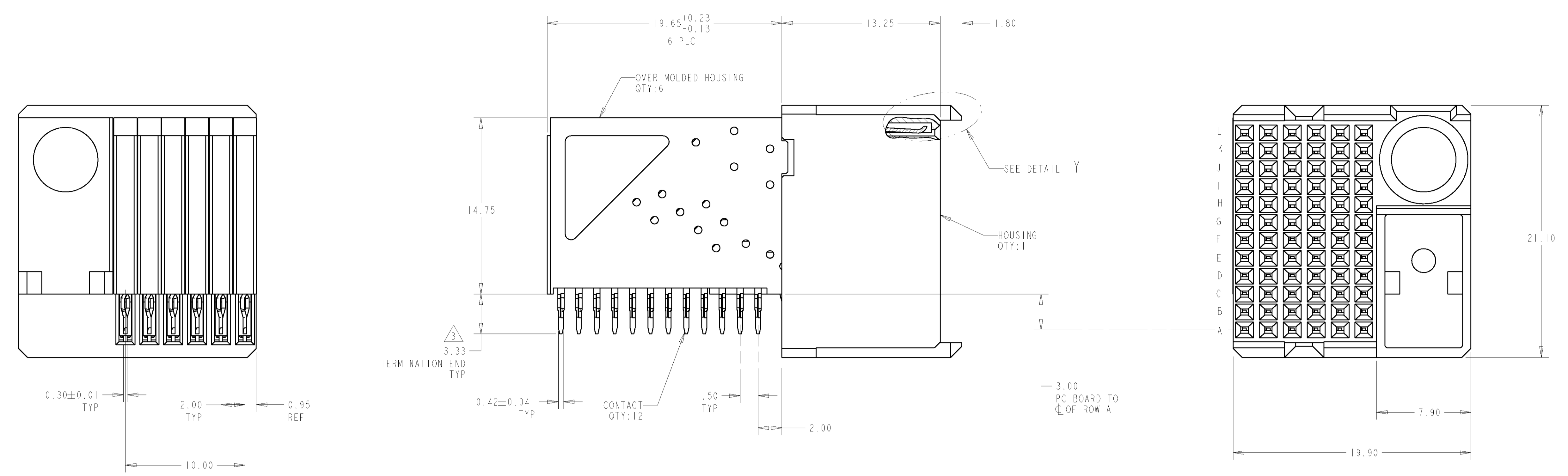


REVISONS		DATE	BY	APPD
P	LTR			
O	REV PER EC 0512-0319-04	01JUN2005	BC	GS
A	REV PER EC 0512-0302-05	13DEC2005	BC	GS



- 1 GLASS FILLED POLYESTER, BLACK
- 2 PHOSPHOR BRONZE
- 3 CONFORMS TO ALL TESTING ACCORDING TO IEC 61076-4-101 PERFORMANCE LEVEL 2.
- 4 DATUMS ESTABLISHED BY CUSTOMER.
- 5 DRILLED HOLE DIAMETER 0.700±0.025
COPPER THK 0.025-0.05
TIN THICKNESS 0.004-0.01
- 6 DIMENSION ESTABLISHED BY CUSTOMER.
- 7 GENERAL PLATING SPECIFICATION: UNDERPLATING (ENTIRE CONTACT): 1.27µm MIN NICKEL AND ACTION PIN: 0.5µm MIN TIN.
FOR PLATING OF MATING SURFACES SEE APPLICABLE SPECIFICATION REFERENCE FOR EACH DASH NUMBER

RECOMMENDED
 PRINTED CIRCUIT BOARD
 LAYOUT
 RECOMMENDED PRINTED CIRCUIT BOARD
 THICKNESS 1.27
 COMPONENT SIDE OF PRINTED CIRCUIT BOARD

5120641-1
 PART
 NUMBER

<small>THE INFORMATION CONTAINED HEREIN IS UNCLASSIFIED EXCEPT WHERE SHOWN OTHERWISE. IT IS THE POLICY OF TYCO ELECTRONICS CORPORATION TO RELEASE THIS INFORMATION UNLESS OTHERWISE SPECIFIED BY THE CUSTOMER OR BY THE COMPANY.</small>		DWN: B CARBO 01JUN2005 ENR: G SKIPPER 01JUN2005 APPD: G SKIPPER 01JUN2005	tyco Electronics Tyco Electronics Harrisburg, PA 17105-3608
DIMENSIONS: mm	TOLERANCES UNLESS OTHERWISE SPECIFIED: 0 PLC ± 1 PLC ± 2 PLC ±0.13 3 PLC ± 4 PLC ± ANGLES ±	NAME: RECEPTACLE ASSEMBLY, SIGNAL/GROUND COMBINATION, 72 POSITION, RIGHT HAND, Z-PACK 12 HM PRODUCT SPEC: APPLICATION SPEC: WEIGHT:	SIZE: CAGE CODE: DRAWING NO: RESTRICTED TO: A 00779 C-5120641 SCALE: 5:1 SHEET 1 OF 1 REV A
MATERIAL: HOUSING: 1 CONTACTS: 2	FINISH: CONTACTS: 3, 7	CUSTOMER DRAWING	

单击下面可查看定价，库存，交付和生命周期等信息

[>>TE Connectivity\(泰科\)](#)