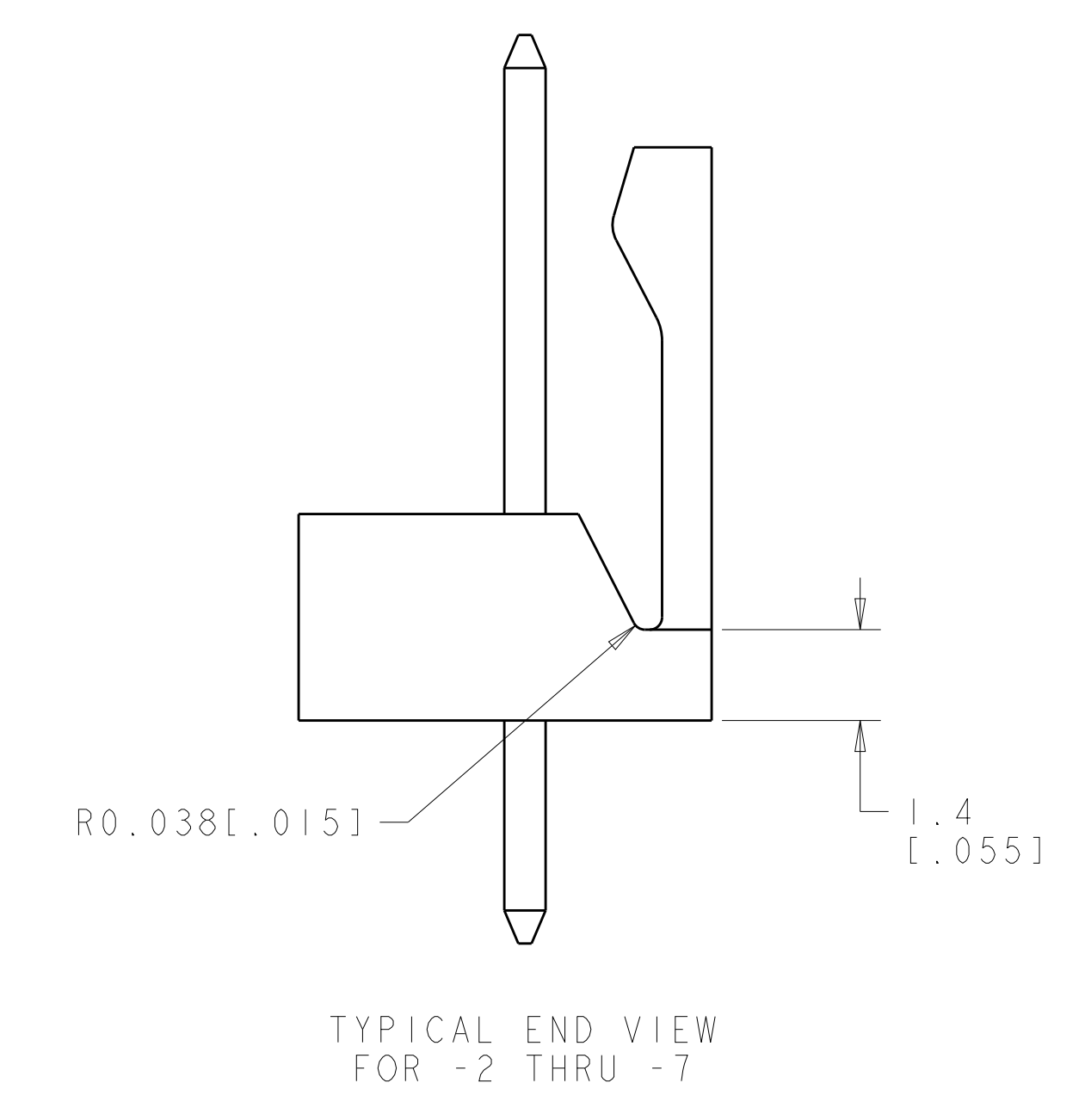
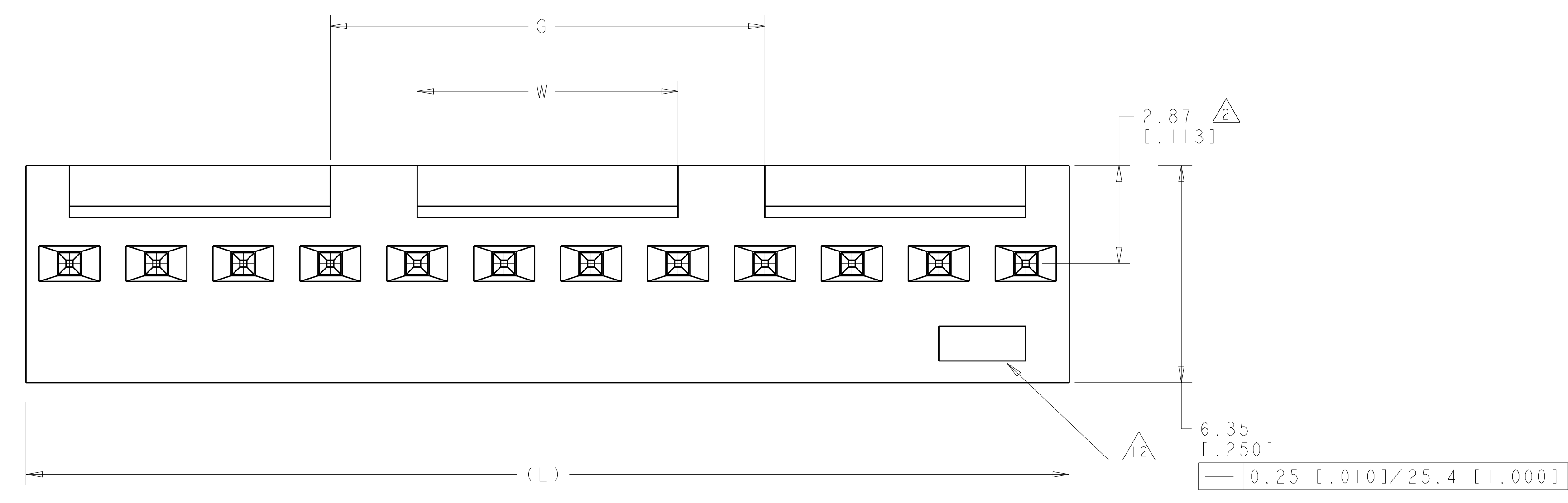
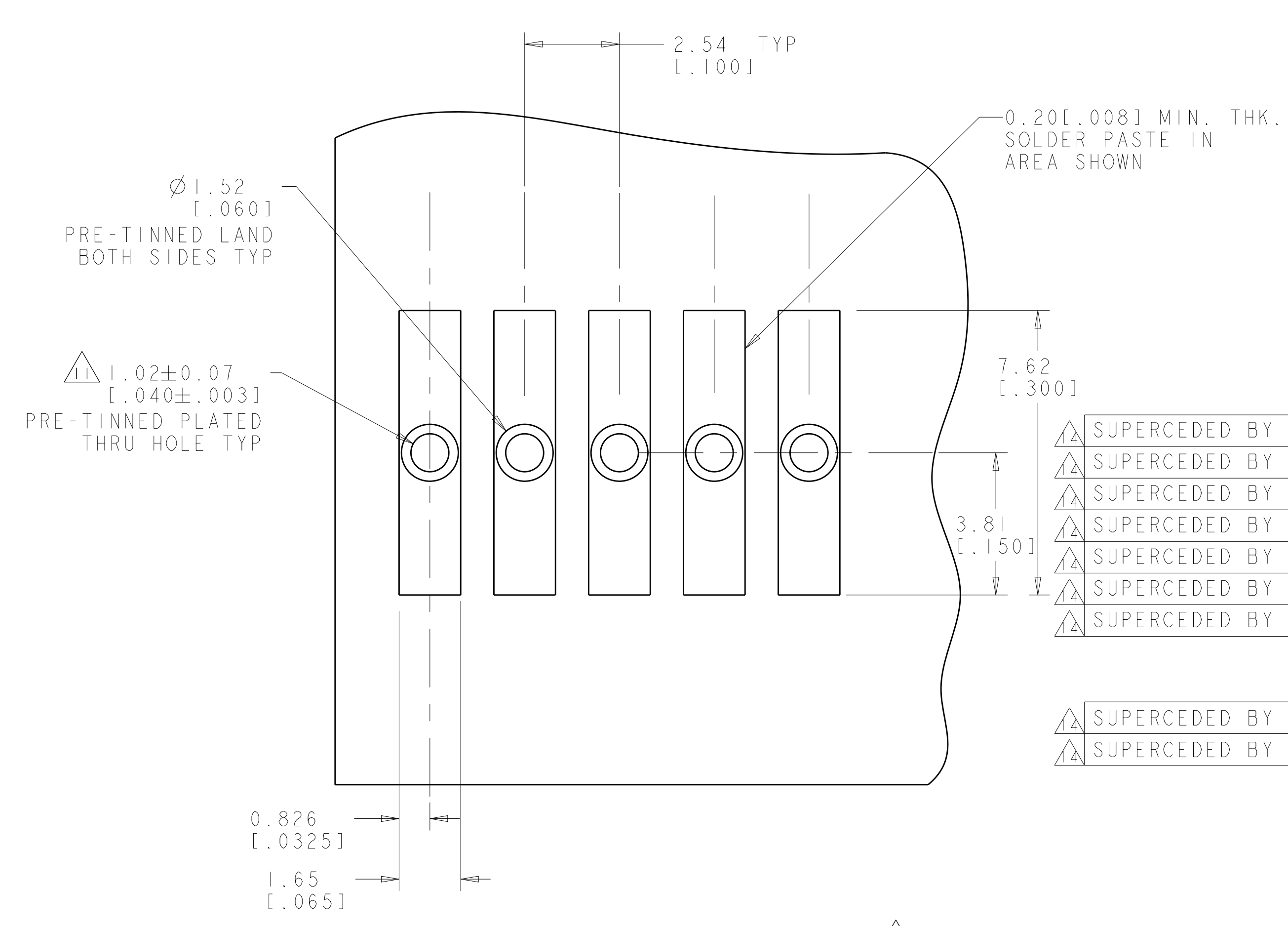
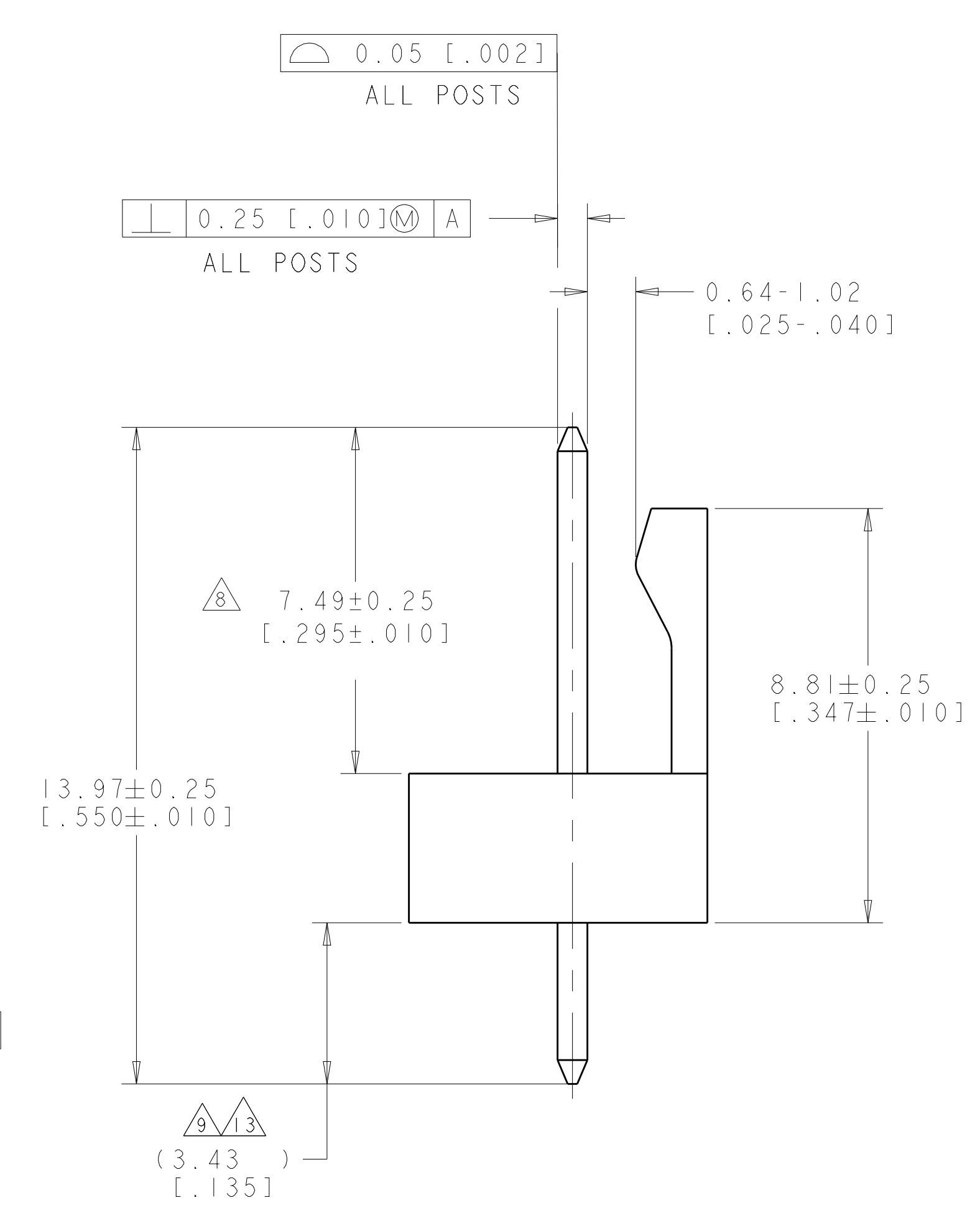
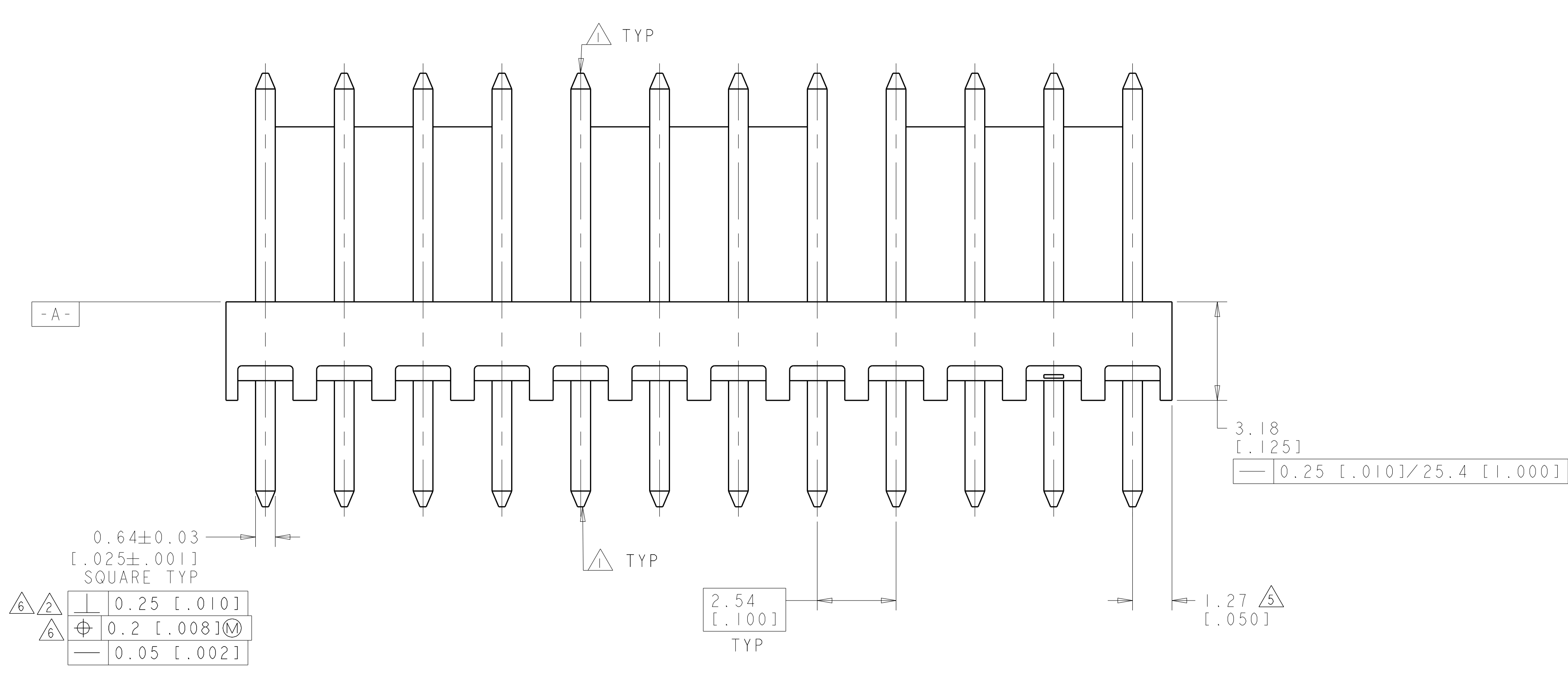


REV	DATE	BY	CHK	APP	DESCRIPTION
00					
01	18JUN018	BDA	SG		REVISED PER ECR-18-004355



- △ POST WITHSTAND 13 NEWTONS (3 LBS) MIN AXIAL FORCE IN DIRECTION SHOWN WITHOUT DISLODGING.
- △ MEASURED AT [-A-].
- 3. PARTS COMPLY WITH SOLDERABILITY SPEC 109-11-2.
- △ MATERIAL:
HOUSING: NYLON, 4/6, HIGH TEMP, BLACK.
POST - COPPER ALLOY (SEE TABLE FOR PLATING).
- △ COORDINATE DIMENSION APPLIES FROM CENTER OF ACTUAL FEATURE.
- △ POSTS TO BE MEASURED WHEN STRIP HELD FLAT.
- 7. DIMENSIONS IN BRACKETS ARE IN INCHES.
- △ PLATING: GOLD PLATE AREA, 0.00038 [0.00015] GOLD OR 0.00008 [0.00003] MIN GOLD FLASH OVER 0.00030 [0.00012] PALLADIUM NICKEL, PER TE CONNECTIVITY'S DISCRETION, ALL SIDES, OVER NICKEL UNDERPLATE, 0.00127 [0.00050] MIN, ALL SIDES AND ENTIRE LENGTH OF POST.
- △ BRIGHT TIN/LEAD (93/7) PLATE AREA, 0.00381-0.00889 [0.000150-.000350] THICK, ALL FOUR SIDES, 3.56[.140] MIN.
- △ TOLERANCES APPLY TO SOLDER SIDE OF BOARD.
- △ ONE HOLE MAY BE UNDERSIZED 0.81-0.90 [0.032-.035] DIAMETER FOR ASSEMBLY RETENTION DURING PROCESSING.
- △ TE LOGO, UL, AND CSA TRADEMARKS TO APPEAR ON THIS SURFACE.
- △ MATTE TIN PLATE AREA, 0.00381-0.00889 [0.000150-.000350] THICK, ALL FOUR SIDES, 3.56[.140] MIN.
- △ OBSOLETE PARTS: OBSOLETE CIS STREAMLINING PER D.RENAUD/D.SINISI



RECOMMENDED MOUNTING HOLE PATTERN FOR 1.57±0.20 [0.062±0.008] THICK P.C. BOARD

POST FINISH	W	G	L	NO OF POSN	PART NO
△△	7.62 [0.300]	12.70 [0.500]	30.48 [1.200]	12	4-647078-2
	-	10.16 [0.400]	27.94 [1.100]	11	4-647078-1
	-	7.62 [0.300]	25.40 [1.000]	10	4-647078-0
	-	5.08 [0.200]	22.86 [0.900]	9	3-647078-9
	-	2.54 [0.100]	20.32 [0.800]	8	3-647078-8
	-	-	17.78 [0.700]	7	3-647078-7
	-	-	15.24 [0.600]	6	3-647078-6
	-	-	12.70 [0.500]	5	3-647078-5
	-	-	10.16 [0.400]	4	3-647078-4
	-	-	7.62 [0.300]	3	3-647078-3
	-	-	5.08 [0.200]	2	3-647078-2
	△△	7.62 [0.300]	12.70 [0.500]	30.48 [1.200]	12
-		10.16 [0.400]	27.94 [1.100]	11	1-647078-1
-		7.62 [0.300]	25.40 [1.000]	10	1-647078-0
-		5.08 [0.200]	22.86 [0.900]	9	647078-9
-		2.54 [0.100]	20.32 [0.800]	8	647078-8
-		-	17.78 [0.700]	7	647078-7
-		-	15.24 [0.600]	6	647078-6
-		-	12.70 [0.500]	5	647078-5
-		-	10.16 [0.400]	4	647078-4
-		-	7.62 [0.300]	3	647078-3
-		-	5.08 [0.200]	2	647078-2

THIS DRAWING IS A CONTROLLED DOCUMENT. DATE: 01NOV2001. BY: J. WHITNEY. CHK: J. BOSS. APP: J. BOSS. PRODUCT SPEC: MTA-100 HEADER ASSY, HIGH TEMPERATURE FRICTION LOCK, .025 SQUARE STRAIGHT POST, .000015 GOLD. SCALE: 10:1. SHEET: 1 OF 1. REV: R1.

单击下面可查看定价，库存，交付和生命周期等信息

[>>TE Connectivity\(泰科\)](#)