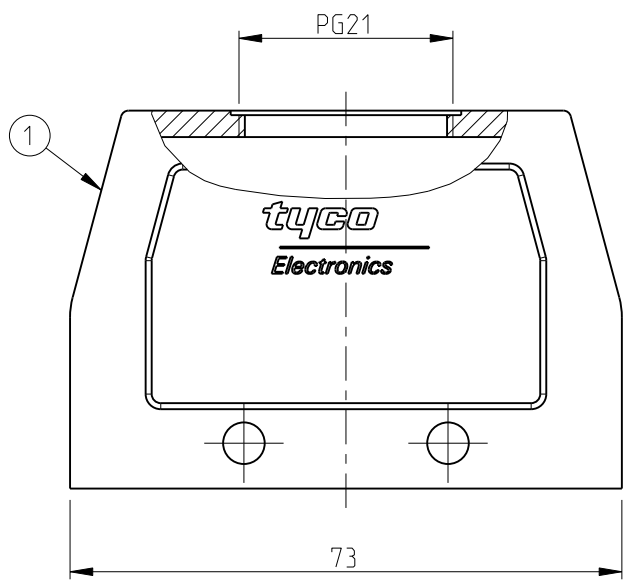
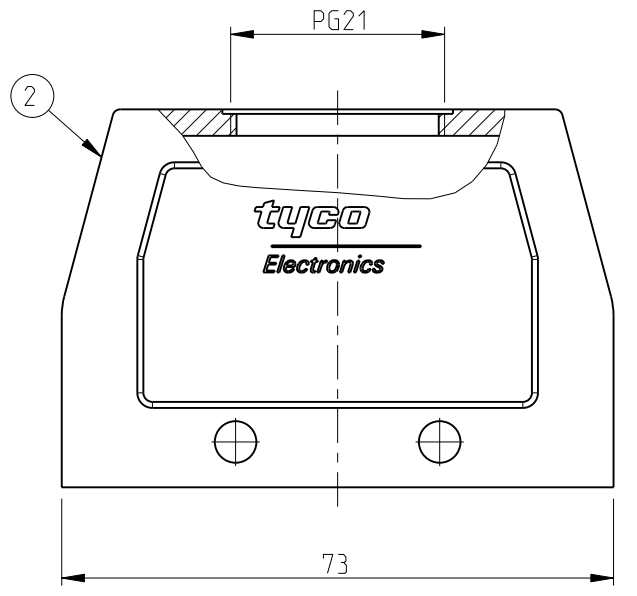
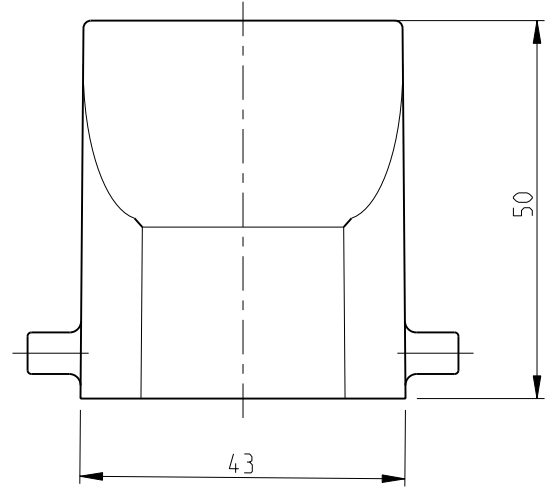


THIS DRAWING IS UNPUBLISHED. RELEASED FOR PUBLICATION .1997
 © COPYRIGHT 1997 BY TYCO ELECTRONICS CORPORATION. ALL RIGHTS RESERVED.

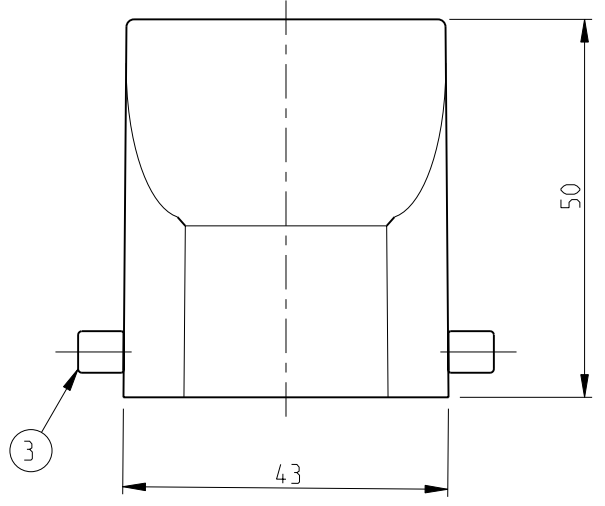
LOC	DIST	REVISIONS					
		P	LTR	DESCRIPTION	DATE	DWN	APVD
A1	-	A3		Released as per ECR-07-030422	17.12.07	SP	TS



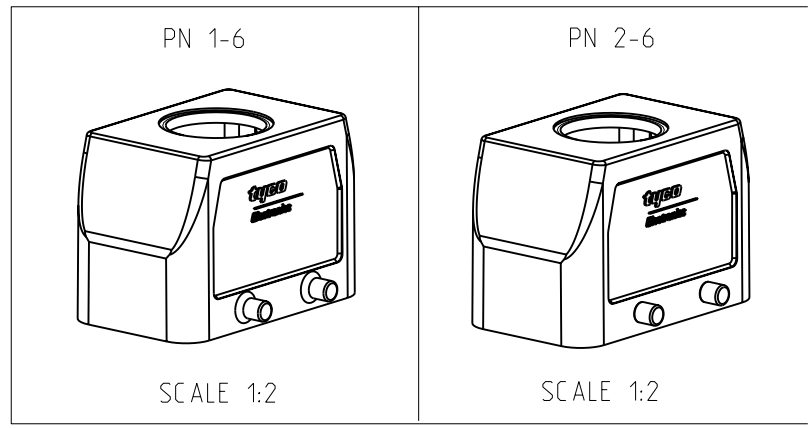
PN 1-6



PN 2-6



- NOTES.
- 1 Material:Housing:Aluminium Diecasting Alloy
 - 2 Surface-Powder Varnish Grey
-Aluminium Oxide +
Varnish Black
 - 3 Varnish on the inside not necessary
 - 4 Packaging
Quantity 5 Pieces in a box



QTY	DESCRIPTION	MATERIAL	SURFACE	COLOR	ITEM NO	REMARKS
4	VS-Clip bolt	Stainless steel	-		3	-
1	Hood HB.10.PG.1.21	Aluminium	Aluminium oxide	Black	2	-
1	Hood HB.10.PG.1.21	Aluminium	-	Grey	1	-
2-6	1-6	DESCRIPTION	MATERIAL	SURFACE	COLOR	ITEM NO
HB.10.STO.1.21.G						
HB-K.10.STO.1.21.G						

THIS DRAWING IS A CONTROLLED DOCUMENT FOR TYCO ELECTRONICS CORPORATION
 IT IS SUBJECT TO CHANGE AND THE CONTROLLING ENGINEERING ORGANIZATION
 SHOULD BE CONTACTED FOR THE LATEST REVISION.

DIMENSIONS:	TOLERANCES UNLESS OTHERWISE SPECIFIED:
mm	n-ISO 8015 n-ISO 2768-mH-E n-DIN 16901-120
	0 PLC ± 1 PLC ± 2 PLC ± 3 PLC ± 4 PLC ± ANGLES ±
MATERIAL -	FINISH -

DWN	Schneider	15.06.99		Tyco Electronics, AMP.GmbH D-53819, Neunkirchen, Germany	
CHK	Schweiger	15.06.99			
APVD	-	-	NAME Hood HB.10.STO.1.21.G		
PRODUCT SPEC	108-74003		SIZE	CAGE CODE	DRAWING NO
APPLICATION SPEC	114-74001		A3	00779	©=1102270
WEIGHT	-		RESTRICTED TO -		
CUSTOMER DRAWING			SCALE	SHEET	REV
			1:1	1 OF 1	A3

单击下面可查看定价，库存，交付和生命周期等信息

[>>TE Connectivity\(泰科\)](#)