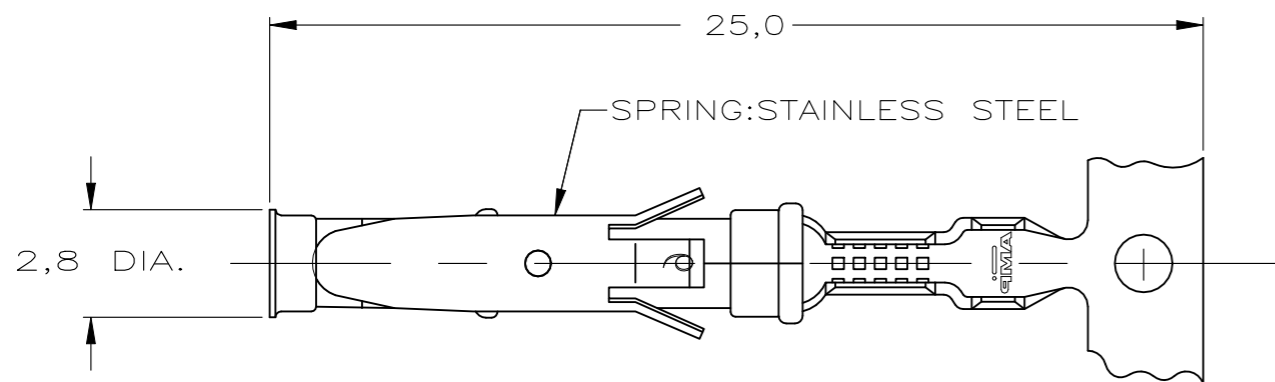
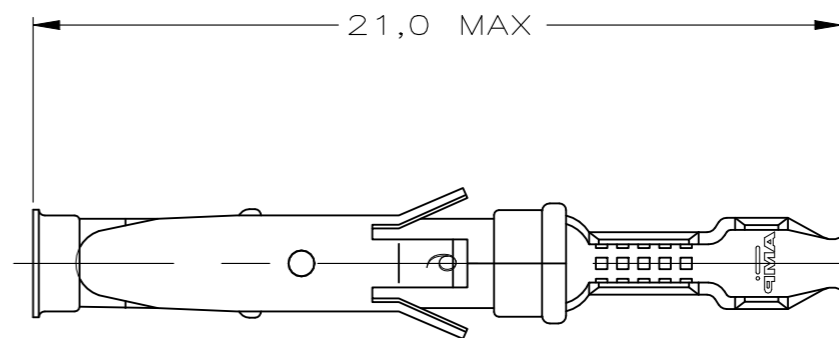


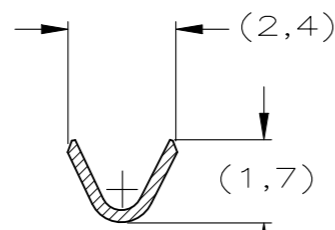
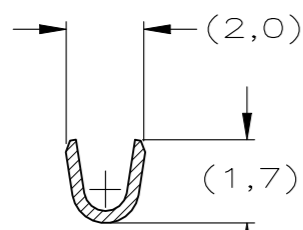
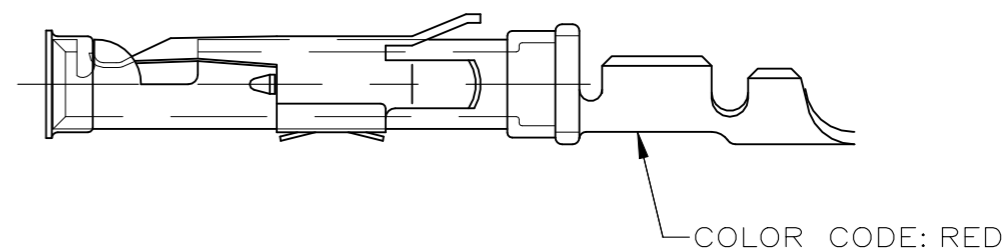
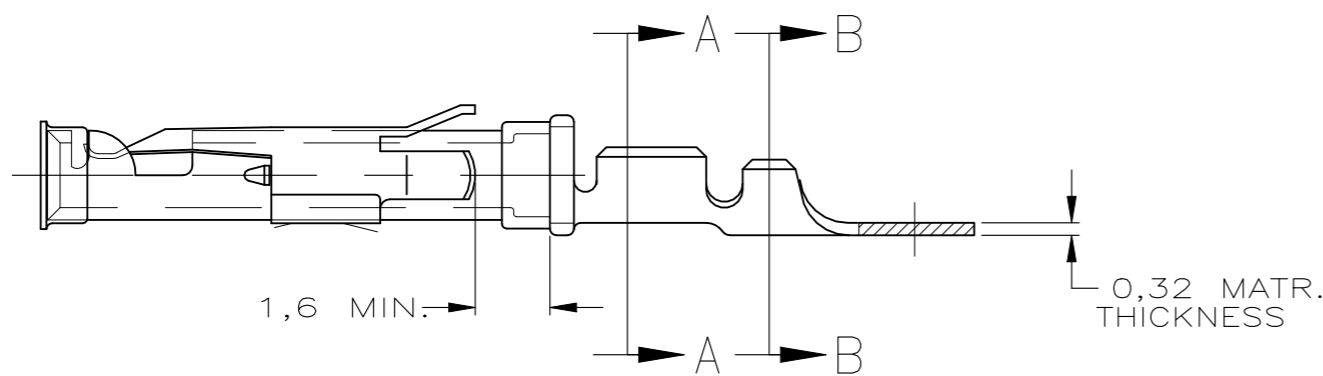
REVISIONS					
P	LTR	DESCRIPTION	DATE	DWN	APVD
Z		REVISED PER ECO-21-006957	25JUN2021	RK	MZ



STRIP



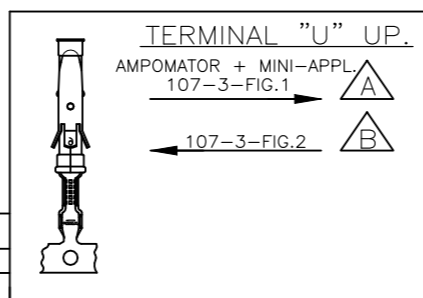
LOOSE-PIECE



SECTION A-A

SECTION B-B

WIRE RANGE : 0.12-0.20 mm² (26-24 AWG)
 INSUL. RANGE : 0.9 -1.4 mm (.035-.055)



PART NUMBER	DIRECTION OF REEL	LOOSE-PIECE	MATERIAL	PLATING
1-163091-3	A	1-163092-3	BRASS	EL.TIN
1-163091-2	A	1-163092-2	BRASS	BR.TIN
1-163091-1	A		BRASS	ECON.GOLD
1-163091-0	B	1-163092-0	BRASS	ECON.GOLD
163091-9	A		BRASS	EL.TIN
163091-8	A	163092-2	BRASS	SEL.GOLD
163091-2	B	163092-2	BRASS	SEL.GOLD
163091-1	B	163092-1	BRASS	EL.TIN

- NOTES :
- 1 UL RECOGNIZED UNDER E28476 VOL VI SEC I
 - 2 FOR CRIMP DETAILS SEE SPEC. 114-19000
 - 3 MEETS PRODUCT SPECIFICATION 108-10042
 - 4 OBSOLETE PARTS: OBSOLETE CIS STREAMLINING PER D.RENAUD/D.SINISI
 - 5 OBSOLETE
 - 6 OMISSION OF 6 CONTACTS MAX PER REEL OF 5000PCS

NOTES	MATERIAL	THICKNESS	AREA
20	TIN	2.0 μm	ALL OVER
21	NICKEL GOLD TIN	.76 μm 1.01 μm	ALL OVER CONTACT AREA BARREL
22	NICKEL GOLD TIN	1.27 μm .76 μm 1.01 μm	ALL OVER CONTACT AREA BARREL
23	NICKEL GOLD	1.2 μm	ALL OVER CONTACT AREA ALL OVER
27	NICKEL SILVER TIN	2.5 μm	ALL OVER CONTACT AREA BARREL
28	SILVER	0.5 μm	ALL OVER
29	SILVER	2.5 μm	ALL OVER
30	NICKEL TIN	1.27 μm 1.27 μm	ALL OVER ALL OVER

THIS DRAWING IS A CONTROLLED DOCUMENT.

DIMENSIONS:	TOLERANCES UNLESS OTHERWISE SPECIFIED:
mm	
0 PLC	± -
1 PLC	± -
2 PLC	± -
3 PLC	± -
4 PLC ANGLES	± -
MATERIAL	FINISH
REFER TABLE	REFER TABLE

DWN	19.08.87
L.V.D.HEIJDEN	
CHK	20.08.87
P.V.D.HAGEN	
APVD	20.08.87
L.V.SOEST	
PRODUCT SPEC	
108-10042	
APPLICATION SPEC	
114-19000	
WEIGHT	

STE TE Connectivity

TYPE III+, SIZE 16, SOCKET ASS'Y,
26-24 AWG, 0.9-1.4mm DIA INSULATION

SIZE	CAGE CODE	DRAWING NO	RESTRICTED TO
A3	00779	C-163091	-

CUSTOMER DRAWING

SCALE	SHEET	REV
-	1 OF 1	Z

单击下面可查看定价，库存，交付和生命周期等信息

[>>TE Connectivity\(泰科\)](#)