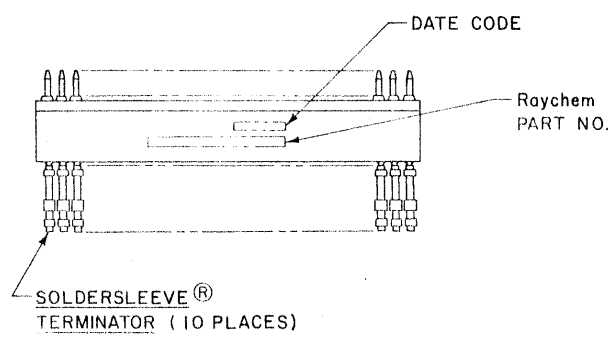
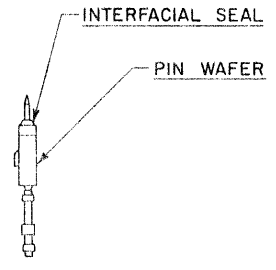
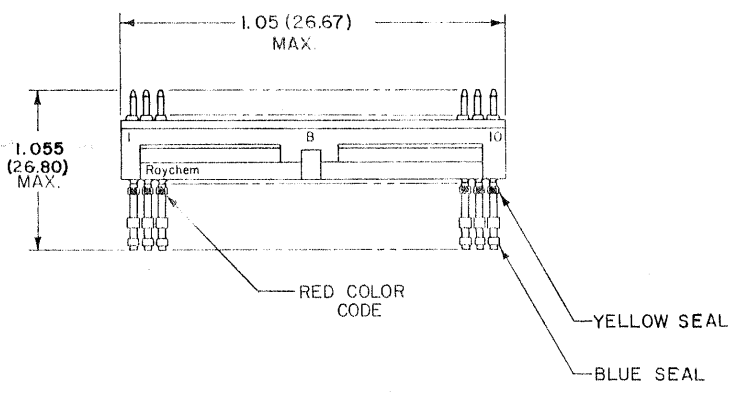
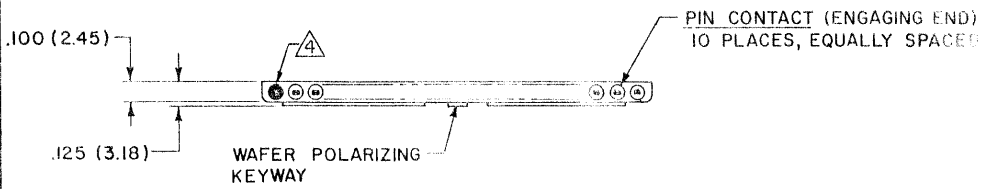


REVISIONS			
LTR	DESCRIPTION	DATE	APPROVED
2	REVISED PER ECN # T-5866	4/1/77	
A	RELEASED FOR PRODUCTION PER ECN T-012433	8/10/77	



5 WEIGHT (MAX.):

LBS.	GRAMS
.0047	2.12

4 PIN NUMBER ONE IS MARKED IN CONTRASTING COLOR ON INTERFACIAL SEAL.

3. FINISH :
- 3-A PIN WAFER; FINISH TO BE AS MOLDED.
 - 3-B PIN CONTACT; GOLD PLATE PER MIL-G-45204, CLASS I.
 - 3-C CONTACT TAIL; COATED WITH Sn63 SOLDER PER QQ-S-571

2. MATERIAL :
- 2-A PIN WAFER; HIGH GRADE POLYARYLENE THERMOPLASTIC.
 - 2-B PIN CONTACT; COPPER ALLOY PER QQ-B-613 OR QQ-C-502.
 - 2-C INTERFACIAL SEAL; SILICONE ELASTOMER PER MIL-R-25988.
 - 2-D SOLDERSLEEVE® TERMINATOR; REFER TO RAYCHEM DWG. CTA-0068 FOR DATA.

1. THIS WAFER ASSEMBLY USED IN MTC100 CONNECTORS.

NOTES:

**If this document is printed it becomes uncontrolled.
Check with the web for latest revision.**

SPECIFICATION CONTROL DRAWING © Raychem Corporation 1983

DRAWN	HAWKINGS	10-16-83	Raychem <small>RAYCHEM CORPORATION 500 CONSTITUTION DRIVE MENLO PARK, CALIFORNIA 94025</small>	
CHECKED	B			
APPROVED	Blair	12-2-83	TITLE WAFER ASSEMBLY, PIN, "B" STYLE, 1", 10 CONTACTS; WITH OVAL ENTRY FOR 20-26 AWG. TEMP. RATING MTC100 SERIES	
APPROVED	Walker	12-2-83		
UNLESS OTHERWISE SPECIFIED DIMENSIONS ARE IN INCHES ±.005 METRIC DIMENSIONS ARE IN PARENTHESIS (M.M.)			SIZE	CODE IDENT NO.
DO NOT SCALE THIS DRAWING			C	06090
			DWG NO.	MTC100-JBI-P14
			WEIGHT	5
			SHEET 1 OF 1	

单击下面可查看定价，库存，交付和生命周期等信息

[>>TE Connectivity\(泰科\)](#)